



OUR GLOBAL  
COMPETENCE  
CENTRES

 APOLLO DISPLAY  
TECHNOLOGIES



 DISTEC



 DISPLAY  
TECHNOLOGY



# 2D Drawing

## Distec

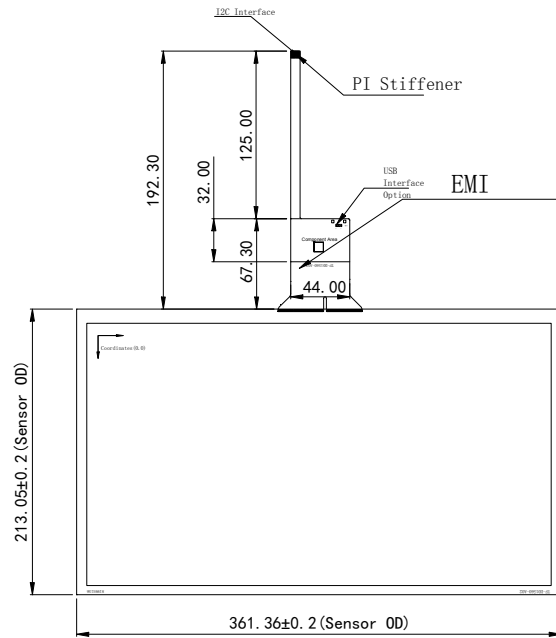
**TF-DD1560-A02**

**15.6w PCAP Touchsensor**

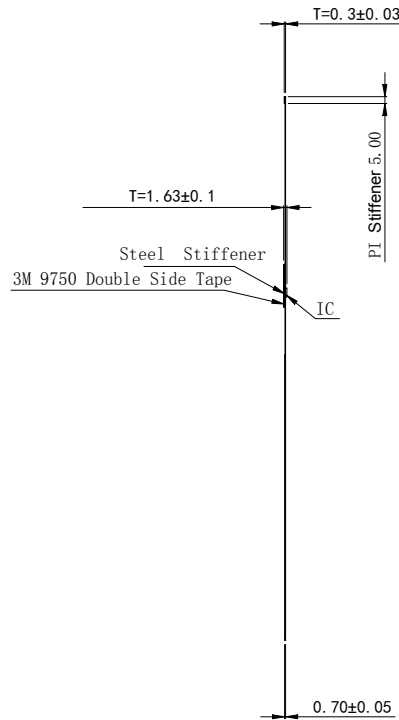
**COF, I<sup>2</sup>C, Glass/Glass**

VU  G

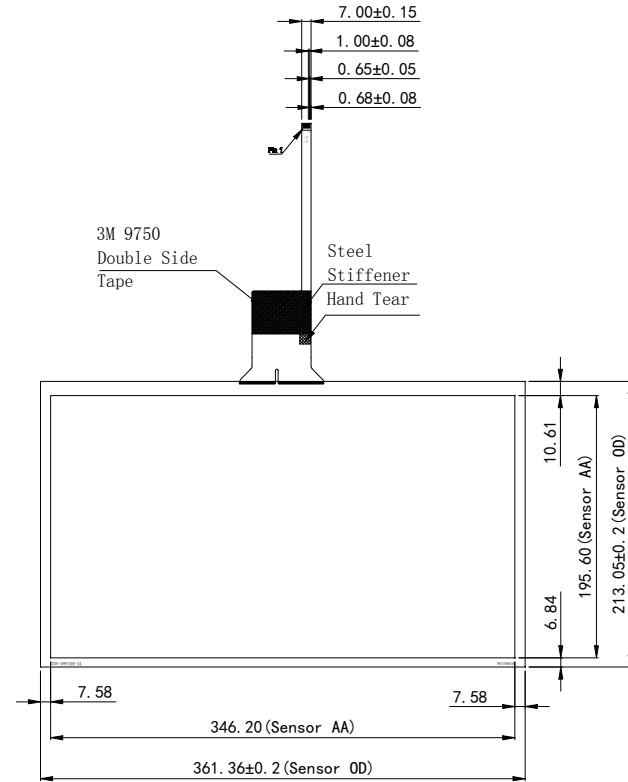
Front View



Side View



Back View



I2C Interface

PIN #	Signal
1	GND
2	SDA
3	SCL
4	VDD
5	INT
6	RST

Specification:

- 1.FOG=ITO GLASS
- 2.IC:ILI2510
- 3.Working Voltage : 3.3 V
- 4.Transmittance : ≥86%
- 5.Working Temperature: -20°C~+70°C
- 6.Working Humidity: 0% to 90%
- 7.Storage Temperature: -20°C to +80°C
- 8.Storage Humidity: 0% to 90%
- 9.Without individual tolerance:±0.2mm

Unit	mm		<b>15.6" Projected Capacitive Touch Foil</b>
Size	A4		
Scale	1:1		
Approved By		PRJ (3)	Part No.
Check By			TO-09-082
Design By	XC	2018-03-02	Production Number
			TF-DD1560-A02

DT

FM

TO

Our company network supports you worldwide with offices in Germany, Austria, Switzerland, the UK and the USA. For more information please contact:

## Headquarters

### Germany



### FORTEC Elektronik AG

Augsburger Str. 2b  
82110 Germering

Phone: +49 89 894450-0  
E-Mail: [info@forteca.de](mailto:info@forteca.de)  
Internet: [www.forteca.de](http://www.forteca.de)

## Fortec Group Members

### Austria



### Distec GmbH Office Vienna

Nuschinggasse 12  
1230 Wien

Phone: +43 1 8673492-0  
E-Mail: [info@distec.de](mailto:info@distec.de)  
Internet: [www.distec.de](http://www.distec.de)

### Germany



### Distec GmbH

Augsburger Str. 2b  
82110 Germering

Phone: +49 89 894363-0  
E-Mail: [info@distec.de](mailto:info@distec.de)  
Internet: [www.distec.de](http://www.distec.de)

### Switzerland



### ALTRAC AG

Bahnhofstraße 3  
5436 Würenlos

Phone: +41 44 7446111  
E-Mail: [info@altrac.ch](mailto:info@altrac.ch)  
Internet: [www.altrac.ch](http://www.altrac.ch)

### United Kingdom



### Display Technology Ltd.

Osprey House, 1 Osprey Court  
Hichingbrooke Business Park  
Huntingdon, Cambridgeshire, PE29 6FN

Phone: +44 1480 411600  
E-Mail: [info@displaytechnology.co.uk](mailto:info@displaytechnology.co.uk)  
Internet: [www.displaytechnology.co.uk](http://www.displaytechnology.co.uk)

### USA



### Apollo Display Technologies, Corp.

87 Raynor Avenue,  
Unit 1 Ronkonkoma,  
NY 11779

Phone: +1 631 5804360  
E-Mail: [info@apolloDisplays.com](mailto:info@apolloDisplays.com)  
Internet: [www.apolloDisplays.com](http://www.apolloDisplays.com)