



DATA DISPLAY GROUP

---

# 2D Drawing

**DD-Group**

**TP-DD1010-A02**

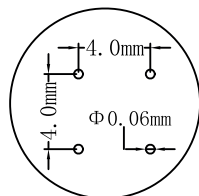
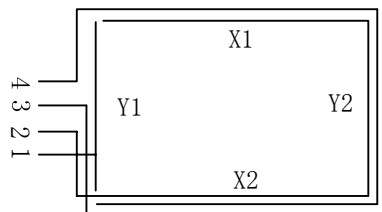
TO-09-009

The information contained in this document has been carefully researched and is, to the best of our knowledge, accurate. However, we assume no liability for any product failures or damages, immediate or consequential, resulting from the use of the information provided herein. Our products are not intended for use in systems in which failures of product could result in personal injury. All trademarks mentioned herein are property of their respective owners. All specifications are subject to change without notice.

---



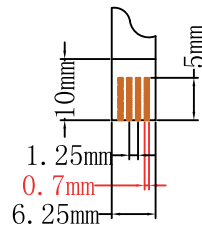
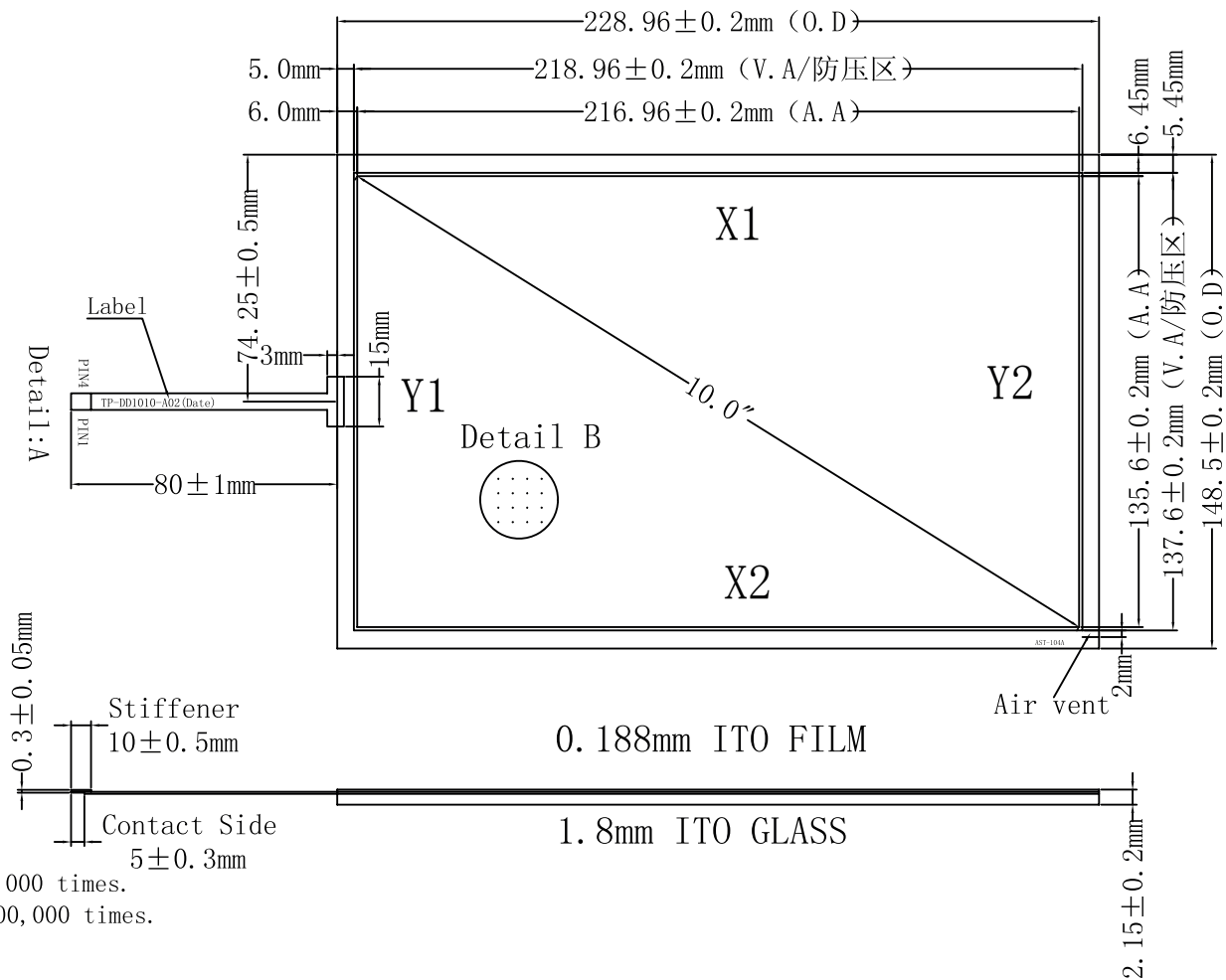
DATA DISPLAY GROUP



Detail:B  
No Scale

NOTES:

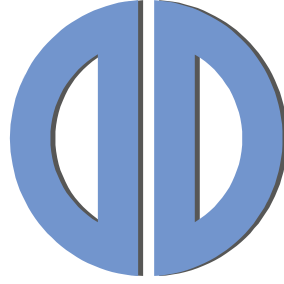
1. Operation Temperature:  $-20^{\circ}\text{C} \sim +70^{\circ}\text{C}$ .  
Storage Temperature:  $-40^{\circ}\text{C} \sim +80^{\circ}\text{C}$ .
  2. Life Time (Tapping durability):  $>1,000,000$  times.  
Life Time (Pen sliding durability):  $>100,000$  times.
  3. Linearity:  $\leq 1.5\%$ .
  4. TOP ITO Film: Anti-Glare Film  
Loop Resistance:  $400 < Y < 900$  ;  
 $100 < X < 400$  ;  
ITO Film sheet resistance:  $400 \pm 80$  ohm  
ITO Glass sheet resistance:  $400 \pm 50$  ohm
  5. Unspecified Tolerance:  $\pm 0.20$
  6. Tail type: FPC with golden plated
  7. Transmittance:  $\geq 78\%$   
Surface hardness: 3H Chattering time:  $\leq 10\text{ms}$
  8. Space dots:  $4\text{mm} \times 4\text{mm}$  with  $\Phi 0.06\text{mm}$
- ②. Label to be attached at front side of cable



Detail:A  
Scale: 3:1

|               |      |      |            |   |      |       |                        |
|---------------|------|------|------------|---|------|-------|------------------------|
| TP-DD1010-A02 |      |      |            | Sheet   | Unit | Scale | Third Angle Projection |
|               |      |      |            | 1 of 1  | mm   | 1: 1  |                        |
| Design        | GJ   | Date | 2013/10/31 | Description<br>10.0" 4-Wire Resistive TouchScreen |      |       |                        |
| Check         | DJ.S | Date | 2013/10/31 |   |      |       |                        |

Our company network supports you worldwide with offices in Germany, Great Britain, Italy, Turkey and the USA. For more information please contact:



---

## DATA DISPLAY GROUP

### **Distec GmbH**

Augsburger Str. 2b  
82110 Germering  
Germany

Phone: +49 (0)89 / 89 43 63-0  
Fax: +49 (0)89 / 89 43 63-131  
E-Mail: [info@datadisplay-group.de](mailto:info@datadisplay-group.de)  
Internet: [www.datadisplay-group.de](http://www.datadisplay-group.de)

### **Display Technology Ltd.**

5 The Oaks Business Village  
Revenge Road, Lordswood  
Chatham, Kent, ME5 8LF  
United Kingdom

Phone: +44 (0)1634 / 67 27 55  
Fax: +44 (0)1634 / 67 27 54  
E-Mail: [info@datadisplay-group.co.uk](mailto:info@datadisplay-group.co.uk)  
Internet: [www.datadisplay-group.co.uk](http://www.datadisplay-group.co.uk)

### **Apollo Display Technologies, Corp.**

87 Raynor Avenue, Unit 1 Ronkonkoma, NY  
11779  
United States of America

Phone: +1 631 / 580-43 60  
Fax: +1 631 / 580-43 70  
E-Mail: [info@datadisplay-group.com](mailto:info@datadisplay-group.com)  
Internet: [www.datadisplay-group.com](http://www.datadisplay-group.com)

### **Sales Partner:**

#### **REM Italy s.a.s.**

di Michieletto Flavio & C.  
Via Obbia Bassa, 10  
I-35010 Trebaseleghe (PD)  
Italy  
Phone: +39 335 521 37 89  
E-Mail: [info@remitaly.com](mailto:info@remitaly.com)  
Internet: [www.remitaly.com](http://www.remitaly.com)

### **Sales Partner:**

#### **DATA DISPLAY BİLİŞİM TEKNOLOJİLERİ İÇ VE DIŞ TİCARET LİMİTED ŞİRKETİ**

Barbaros Mh Ak Zamabak Sk A Blok  
D:143 Ataşehir/İstanbul  
Turkey  
Phone: +90 (0)216 / 688 04 68  
Fax: +90 (0)216 / 688 04 69  
E-Mail: [info@data-display.com.tr](mailto:info@data-display.com.tr)  
Internet: [www.data-display.com.tr](http://www.data-display.com.tr)