



OUR GLOBAL  
COMPETENCE  
CENTRES

 APOLLO DISPLAY  
TECHNOLOGIES



 DISTEC



 DISPLAY  
TECHNOLOGY



# Datasheet

## Lincoln Technology Solutions

LCD121-070CTL1ARNTTR0.2

Version 1.0

03.08.2021



[lincolntechnologies.com](http://lincolntechnologies.com) • 1155 Kildaire Farm Road, Suite 100 • Cary, NC 27511

LCD121-070CTL1ARNTTTR0.2

7" WUXGA 360 Zone Wide gamut Full Array Local Dimming

LTS Proprietary FOG with In-Cell Touch

1200\*1920

## Table of Contents

Revision History .....	4
Document Revision .....	4
Hardware Revision .....	4
General Specifications .....	5
Absolute Max Ratings.....	5
Block Diagram .....	6
Mechanical Drawing.....	7
Connector Summary .....	8
Connector group A .....	8
Pin Out – Power .....	8
Absolute Max Ratings – Power .....	9
Electrical Characteristics – Power .....	9
Connector B.....	10
Pin Out – FALD .....	10
Absolute Max Ratings – FALD .....	11
Electrical Characteristics – FALD .....	11
Connector group C .....	12
Pin Out – LCD / PCAP .....	12
Absolute Max Ratings - LCD .....	14
Absolute Max Ratings - PCAP .....	14
Electrical Characteristics - LCD .....	14

---

Electrical Characteristics - PCAP .....	15
Electrical Characteristics – LCD.....	<b>Error! Bookmark not defined.</b>
FALD Control Timing.....	16
Start transmission condition:.....	16
Bit order .....	16
Scan Direction reference.....	16
Temperature sensing .....	17
Temperature sensor location .....	17
Optical Characteristics.....	18
Reliability.....	21
Packaging.....	22
Quality & Inspection Criteria .....	23
Terminologies: .....	23
Inspection Conditions .....	27
Acceptance Criteria Table:.....	28

## Revision History

### Document Revision

Date	Version #	Description
12/19/2019	R1.0	Preliminary Release
1/24/2020	R1.1	Updated tables, temperature revised, inspection environment added, optical parameters changed to TBD
1/27/2020	R1.2	Adding VESA HDR pattern testing tables, updated optical measurements
3/27/2020	R1.3	Correcting Pinout on 40 pin connector. HDR specs removed until new HW is tested.
4/15/2020	R1.4	Correction to 7" pinout.
5/7/2020	R1.5	Removed erroneous electrical table and change reference to LED +/- in 40 pin connector to NC. Supply current +/-5V updated.
7/24/2020	R1.6	Corrected Touch and Contrast Ratio

### Hardware Revision

Date	Version #	Description
Jan 2020	R0.1	Prototype sample
May 2020	R0.2	3V3 to 1V8 FALD interface correction

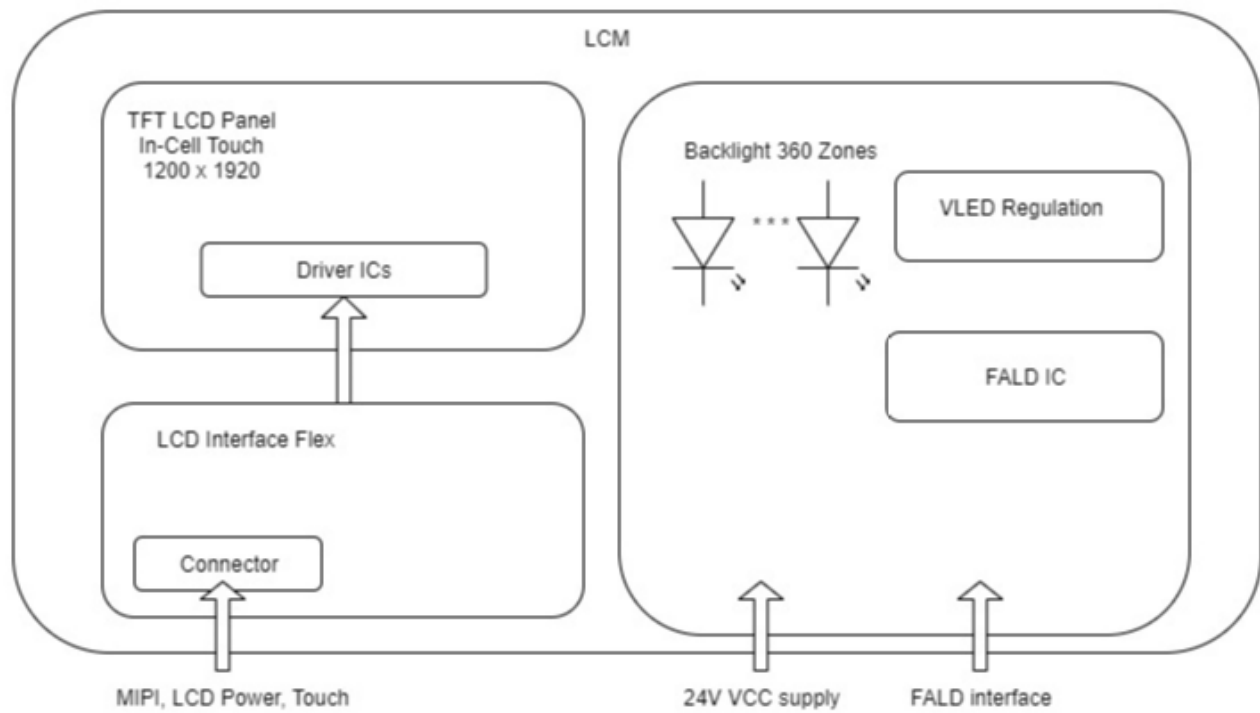
## General Specifications

Item	Specification	Unit
Outline Dimensions	162.92 x 104.00 x 9.44+component	mm
Display Size	7.02 Diagonal	inches
Active Area	151.20 X 94.50	mm
Pixel Pitch	0.07875 X 0.07875	mm
Number of Dots	1200 X 1920	-
Backlight Type	360 zone full array local dimming	-
Touch Panel	10 Finger Capacitive In-Cell Touch	-
Luminance	1800 - uncalibrated	cd/m <sup>2</sup>
Interface	MIPI	-
Color Gamut Ratio DCI-P3	100	%
LCD Type	ADS 10 bit (8bit + 2bit FRC)	-

## Absolute Max Ratings

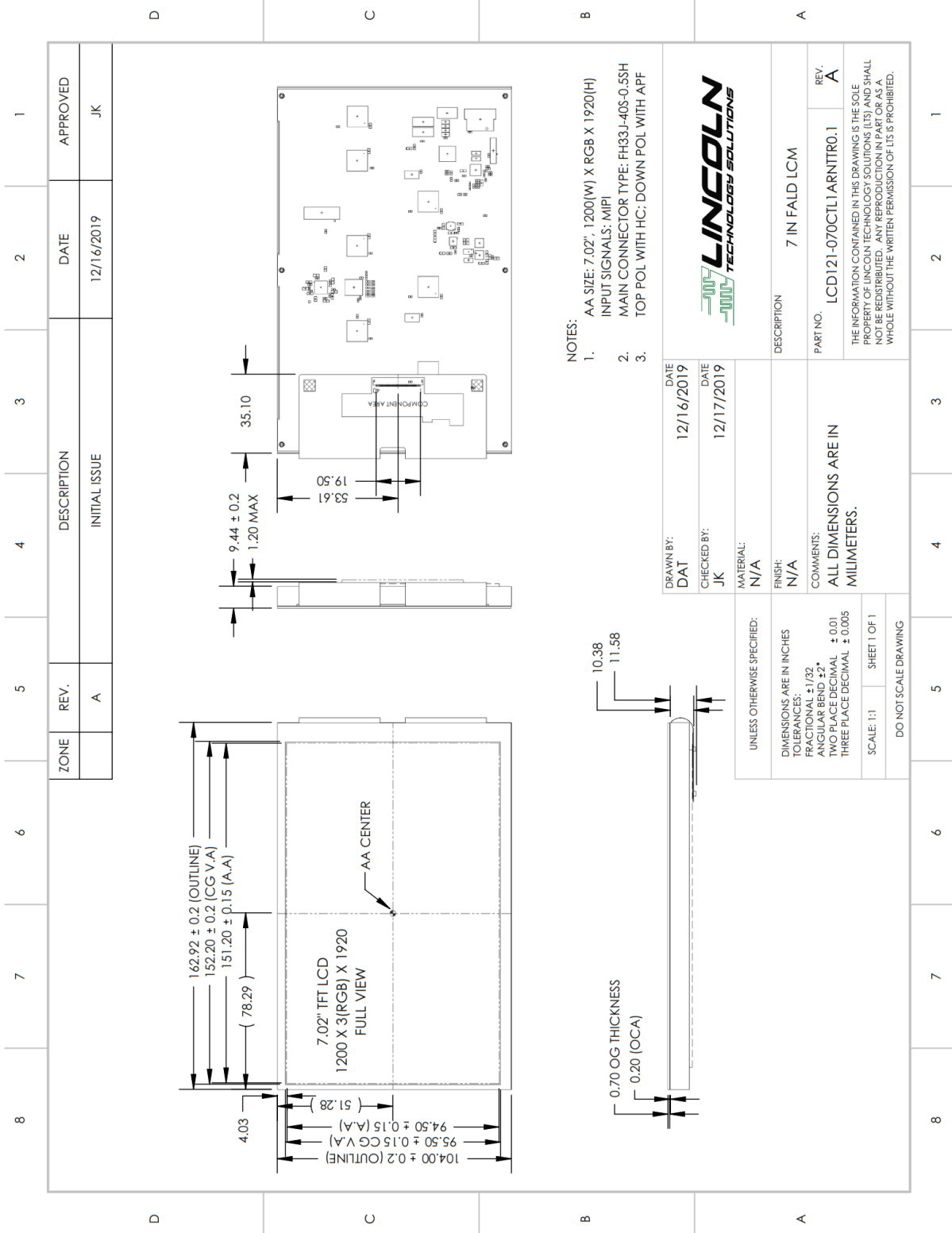
Item	Symbol	Value	Unit
Operating Temperature	Topr	-20 ~ 70	°C
Storage Temperature	Tstg	-30 ~ 80	°C

## Block Diagram





# Mechanical Drawing



- NOTES:
- AA SIZE: 7.02" X 1200(W) X RGB X 1920(H)  
INPUT SIGNALS: MIPI
  - MAIN CONNECTOR TYPE: FH33J-40S-0.5SH
  - TOP POL WITH HC; DOWN POL WITH APF

ZONE	REV.	DESCRIPTION	DATE	APPROVED
	A	INITIAL ISSUE	12/16/2019	JK

DRAWN BY:	DATE	
DAT	12/16/2019	
CHECKED BY:	DATE	
JK	12/17/2019	
MATERIAL:	N/A	
FINISH:	N/A	
COMMENTS:	ALL DIMENSIONS ARE IN MILLIMETERS.	
UNLESS OTHERWISE SPECIFIED:	DIMENSIONS ARE IN INCHES TOLERANCES: FRACTIONAL ±1/32 ANGULAR BEND ±2° TWO PLACE DECIMAL ±0.01 THREE PLACE DECIMAL ±0.005	
SCALE: 1:1	SHEET 1 OF 1	
DO NOT SCALE DRAWING		

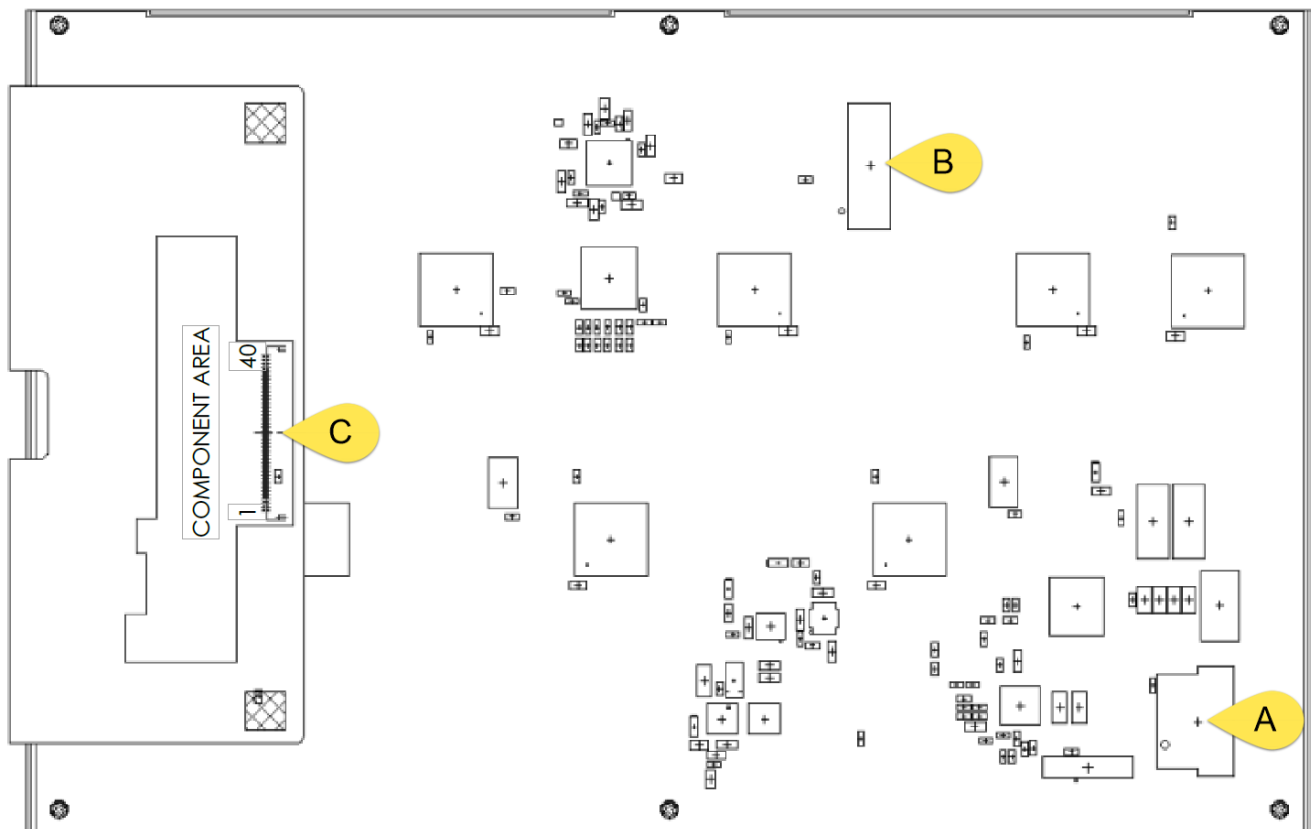
  

DESCRIPTION	7 IN FALD LCM
PART NO.	LCD121-070CT1ARNITR0.1
REV.	A

THE INFORMATION CONTAINED IN THIS DRAWING IS THE SOLE PROPERTY OF LINCOLN TECHNOLOGY SOLUTIONS. IT IS TO BE USED FOR THE PARTS SHOWN ONLY. ANY REPRODUCTION IN PART OR AS A WHOLE WITHOUT THE WRITTEN PERMISSION OF LIS IS PROHIBITED.

## Connector Summary

There are 3 connectors of importance on this LCM and they are noted on the drawing by designators, "A", "B", "C". Connectors group "A" interface to a DC/DC buck converter with allowable input range of 12 to 40V. This design has been optimized for 24V input. Group "A" powers the LED anodes and will be bucked down to approximately 3.6V. Group A is responsible for the other system voltage generation; there is also a logic supply bank consisting of 5V, 3.3V and 1.8V powered from the same source. Connector B is the FALD interface connector. Connector group "C" is the FOG aka MIPI and Touch interface connector.



## Connector group A

### Pin Out – Power

The power connector is Hirose DF3EA-2P-2H and it is expecting the incoming wiring harness sized to 22AWG. This is the heaviest gauge wire that can be crimped into the connector and allows for max current of 3A per contact. It will be possible to overdrive the LED array through control over the FALD interface. Care should be taken to not exceed the maximum amperage or board temperature. Total power is TBD Watts for 1500NITS full screen.

Number	Pin Name	I/O	Description
1	VCC_24V	Power	Power input
2	GND	Power	Ground

### Absolute Max Ratings – Power

Item	Symbol	Value	Unit
Supply Voltage	VCC_24V	12 ~ 40	V
Supply Current (22AWG)	VCC_24V <sub>I</sub>	3	A
Input ripple	V <sub>RIP</sub>	TBD	V

### Electrical Characteristics – Power

Note, these current levels represent a typical LED refresh rate with all LEDs configured at max power of 15mA per LED.

Item	Symbol	Min	Typ	Max	Unit	Test Condition
Supply Voltage	VCC_24V	-	24	-	V	
Supply Current Connector A	I-A	-	0.275	-	mA	1800 cd/m2 10 % Center patch - uncalibrated
Supply Current Connector A	I-A	-	1.06	-	A	2200 cd/m2 360 Full on - uncalibrated

## Connector B

### Pin Out – FALD

A 20 pin Amphenol SFV20R-2STE1HLF at 0.5mm pitch with top contacts receives the FALD signaling from the host. The power rail on pin 1 is only to be used as a reference level or to power minimal consuming devices such as a level shifter on the host PCB.

Number	Pin Name	Reference V	I/O	Description
1	VCC_3V3	N/A	O	Power output
2	GND	N/A	P	Ground
3	TDI	3.3V	I	JTAG – Program interface
4	TCK	3.3V	I	JTAG – Program interface
5	TMS	3.3V	I	JTAG – Program interface
6	TDO	3.3V	O	JTAG – Program interface
7	RESETN	3.3V	I	FALD Controller reset – externally PU on FALD PCB
8	GND	N/A	P	Ground
9	SPARE_IO_LB_1V8	1.8V	I/O	Future use
10	LED_DATA_IN_1V8	1.8V	I	FALD control
11	LED_CLK_IN_1V8	1.8V	I	FALD control
12	VCC_EN	1.8V	I	Enables VLED and IC buck converter output
13	GND	N/A	P	Ground
14	DNU	N/A	-	Reserved for customer use – not connected on FALD PCB
15	DNU	N/A	-	Reserved for customer use – not connected on FALD PCB
16	DNU	N/A	-	Reserved for customer use – not connected on FALD PCB
17	TEMP_CLK_OUT_1V8	1.8V	O	FALD communications
18	TEMP_DATA_OUT_1V8	1.8V	O	FALD communications

19	DNU	N/A	-	Reserved for customer use – not connector on FALD PCB
20	GND	N/A	P	Ground

### Absolute Max Ratings – FALD

Item	Symbol	Value	Unit
Max Load	VCC_3V3_FPGA	0.1	A
Logic Supply Voltage JTAG	VIN <sub>JTAG</sub>	0 to 3.75	V
Logic Supply Voltage I/O	VIN <sub>I/O</sub>	0 to 1.89	V

### Electrical Characteristics – FALD

Item	Symbol	Min	Typ	Max	Unit	Test Condition
Operating Voltage 3V3	VCC_3V3_IO	3.135	3.3	3.6	V	-
Operating Voltage 1V8	VCC_1V8_IO	1.71	1.8	1.89	V	-
Input Voltage 3V3	V <sub>IH3V3</sub>	2.0	-	3.6	V	-
	V <sub>IL3V3</sub>	GND	-	0.8	V	-
Input Voltage 1V8	V <sub>IH1V8</sub>	1.17	-	3.6	V	-
	V <sub>IL1V8</sub>	GND	-	0.63	V	-
Output Voltage 3V3	V <sub>OL MAX 3V3</sub>	-	-	0.4	V	-
	V <sub>OH MIN 1V8</sub>	3.4	-	-	V	-
Output Voltage 1V8	V <sub>OL MAX 1V8</sub>	-	-	0.4	V	-
	V <sub>OH MIN 1V8</sub>	1.4	-	-	V	-

## Connector group C

The interface connector is a 40 pin Zif with 0.5mm pitch. It accepts an FFC of 0.3mm thickness and gold-plated contacts. An example of the part mounted on the LCD flex is, Hirose FH28-40S-0.5SH(05)

### Pin Out – LCD / PCAP

Number	Pin Name	I/O	Description
1	NC	-	No connection – Must not connect
2	IOVCC	P	Power supply for system (1.8V)
3	IOVCC	P	Power supply for system (1.8V)
4	GND	P	Ground
5	LCD_RSTN	I	LCD reset signal, Active Low
6	NC	-	No connection
7	GND	P	Ground
8	MIPI_0N	I	MIPI Negative data inputs
9	MIPI_0P	I	MIPI Positive data inputs
10	GND	P	Power ground
11	MIPI_1N	I	MIPI Negative data inputs
12	MIPI_1P	I	MIPI Positive data inputs
13	GND	P	Power ground
14	MIPI_CKN	I	MIPI Negative clock inputs
15	MIPI_CKP	I	MIPI Positive clock inputs
16	GND	P	Power ground
17	MIPI_2N	I	MIPI Negative data inputs
18	MIPI_2P	I	MIPI Positive data inputs

19	GND	P	Power ground
20	MIPI_3N	I	MIPI Negative data inputs
21	MIPI_3P	I	MIPI Positive data inputs
22	GND	P	Power ground
23	TP_SCL	I	TP I2C Clock 1.8V
24	TP_SDA	I/O	TP I2C Data 1.8V
25	GND	P	Power ground
26	TE	O	Tear output
27	PWMO	O	PWM control signal for LED driver (CABC)
28	TP_INT	O	Touch Interrupt 1.8V
29	TP_RST	I	TP reset signal 1.8V
30	GND	P	Power ground
31	NC	-	No connection
32	NC	-	No connection
33	NC	-	No connection
34	VSN	P	Analog supply negative voltage (-5~-6V)
35	VSN	P	Analog supply negative voltage (-5~-6V)
36	NC	-	No connection
37	VSP	P	Analog supply positive voltage (5~6V)
38	VSP	P	Analog supply positive voltage (5~6V)
39	NC	-	No connection
40	NC	-	No connection

## Absolute Max Ratings - LCD

Item	Symbol	Value	Unit
Power Supply Voltage for Logic	VDD_IO	-0.3 ~ 4.5	V
Power for Analog Negative	VSN	0 ~ -6.6	V
Power for Analog Positive	VSP	0 ~ +6.6	V
Operating Temperature	Topr	-20 ~ 70	°C
Storage Temperature	Tstg	-30 ~ 80	°C

## Absolute Max Ratings - PCAP

Item	Symbol	Value	Unit
Power Supply Voltage for Logic	VDD	-0.3 ~ 3.47	V
Signal IO	VDD_IO	-0.3 ~ 3.47	V

## Electrical Characteristics - LCD

Item	Symbol	Min	Typ	Max	Unit	Test Condition
Operating Voltage	VDD_IO	1.65	1.8	3.6	V	-
Voltage for Analog Negative	VSN	-6.5	-5.5	-4.5	V	-
Voltage for Analog Positive	VSP	4.5	5.5	6.5	V	-
Supply Current	IDD(IOVCC)	-	-	50	mA	Ta = 25 °C
Supply Current	IDD(VSN)	-	-	75	mA	Ta = 25 °C
Supply Current	IDD(VSP)	-	-	75	mA	Ta = 25 °C
Input Voltage	Vih	0.7IOVCC	-	IOVCC	V	-
	Vil	0	-	0.3IOVCC	V	-



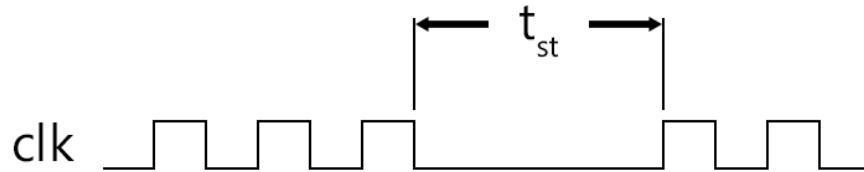
Item	Symbol	Min	Typ	Max	Unit	Test Condition
Input Leakage Current	I <sub>iL</sub>	-1.0	-	1.0	μA	V <sub>in</sub> = VDD <sub>IO</sub>

### Electrical Characteristics - PCAP

Item	Symbol	Min	Typ	Max	Unit	Test Condition
Operating Voltage	VDD	1.65	-	3.3	V	-
Operating Voltage IO	VDD <sub>IO</sub>	1.8	-	3.3	V	
Supply Current	IDD(VCC)	-	8	14.5	mA	T <sub>a</sub> = 25 °C
Input Voltage	V <sub>ih</sub>	0.7VDD <sub>IO</sub>	-	VDD <sub>IO</sub>	V	-
	V <sub>il</sub>	-0.3	-	0.3VCC <sub>IO</sub>	V	-

## FALD Control Timing

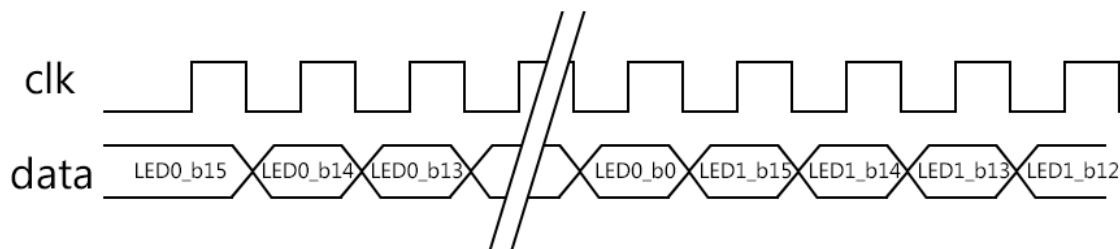
Start transmission condition:



Item	Symbol	Min	Typ	Max	Unit	Test Condition
Start Transmission time	$t_{st}$	10	-	-	$\mu s$	-

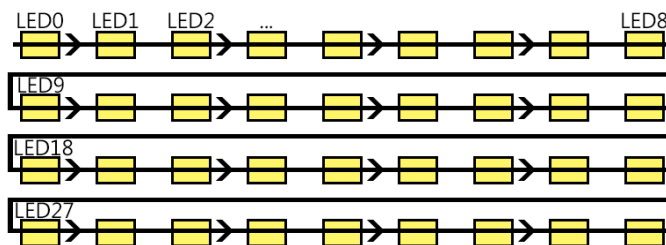
The data clock (CLK\_MB\_1V8) must be static for this period to begin a data transmission

## Bit order



Data is to be transmitted on the rising edge of CLK MSB first starting at LED0; see scan direction reference below. Data must be transmitted for all LEDs for the panel to update brightness. To reject data prior to completing transmission, resend the start transmission condition.

## Scan Direction reference

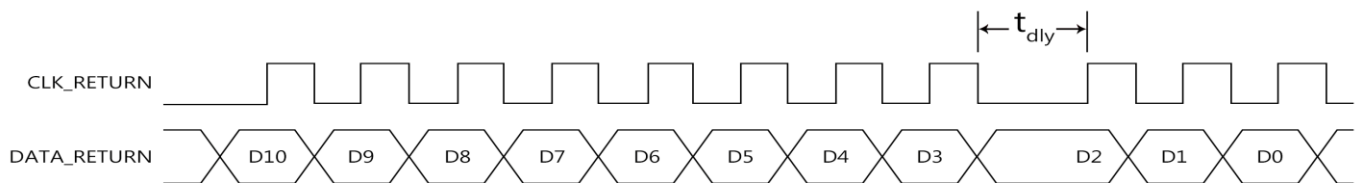


LED0 is in the upper left corner of the screen. LEDs increment left to right and continue incrementing on the left LED of the row below.

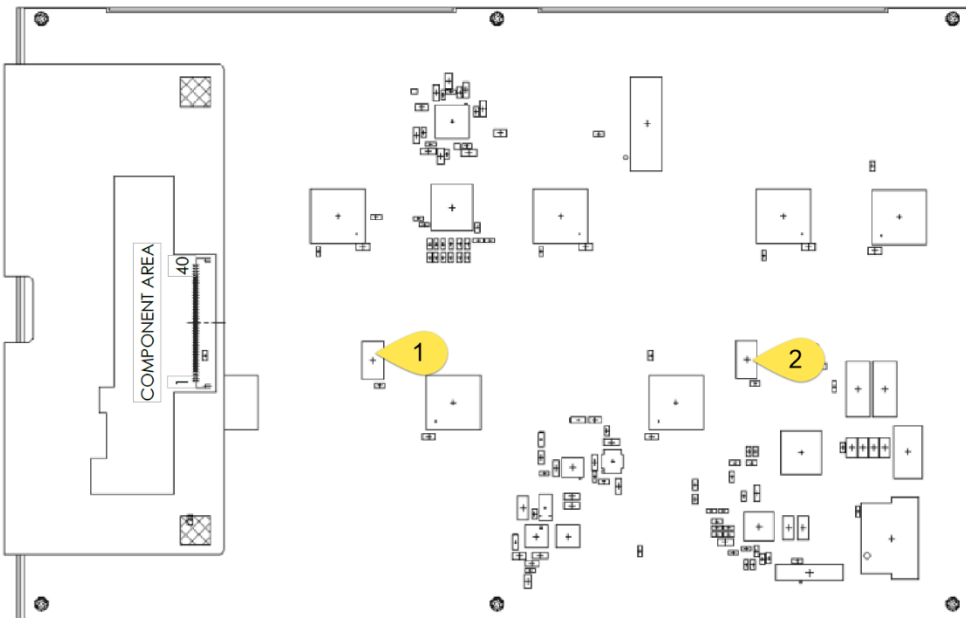
## Temperature sensing

On board temperature sensors are included to monitor different regions of the PCB. 2 of LM75B are placed on the back side of the LCM. The FALD controller routinely gathers sensor data and will report back over the DATA\_RETURN bus. One sensor's data will be reported over this bus every 500ms alternating between sensors 1 and 2. The full range of data is -55°C through +127°C at 0.125°C increments. See LM75B for bit definitions.

Item	Symbol	Min	Typ	Max	Unit	Test Condition
CLK_RETURN frequency	$f_{clk}$	-	78	-	kHz	simulation
Byte Time Delay	$t_{dly}$	-	58.89	-	$\mu s$	simulation



## Temperature sensor location



Positions 1 and 2 correspond to the temperature sensor locations.

## Optical Characteristics

The following measurements were made using a Klein Instrument K-80 contact probe. The aperture size of the Klein coupled with small size of the 7" screen required changing the standard checkerboard pattern from 4\*6 to 3\*4.

### HDR Characteristics

TBD

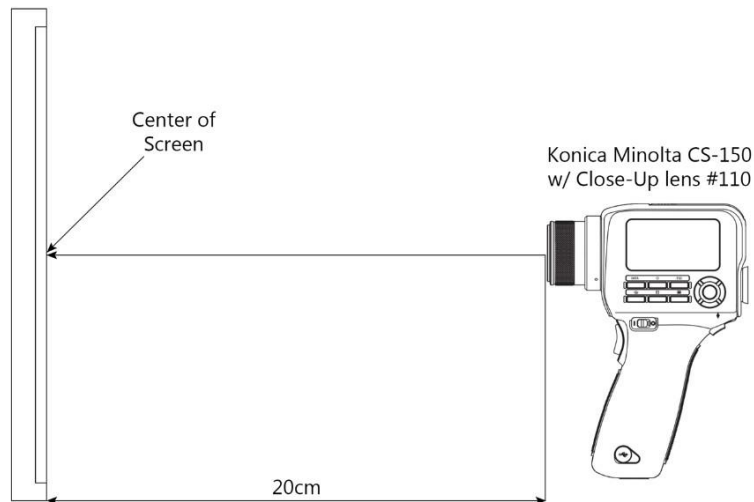
### Colorimetry Characteristics

Measurements are recorded after panel has been powered on for a minimum of 20 minutes.

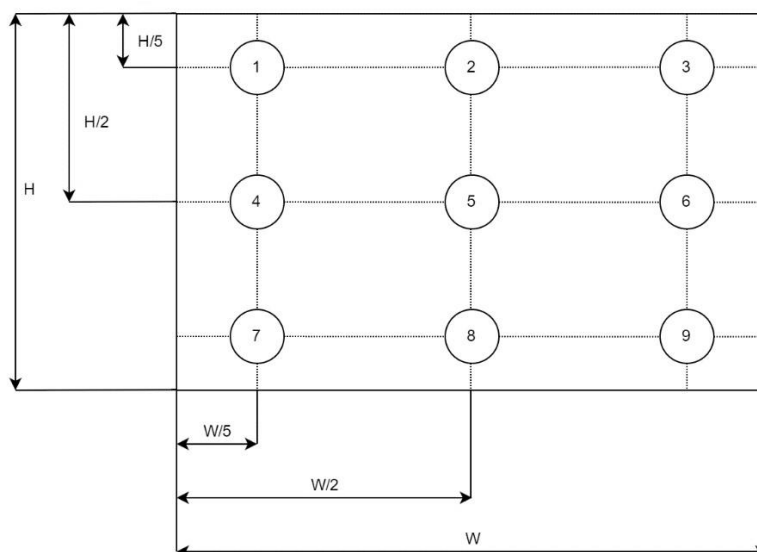
Item	Symbol	Conditions	Specification			Unit	Note
			Min	Typ	Max		
Contrast Ratio	CR	Normal Viewing Angle	1200	10,000,000	-	-	(1)(3)
Red	x	LED ON	-	.6758	-	-	
	y		-	.3224	-		
Green	x	LED ON	-	.1672	-	-	
	y		-	.7523	-		
Blue	x	LED ON	-	.1464	-	-	
	y		-	.0883	-		
White Point	x	LED ON	-	.2679	-	-	
	y		-	.315	-		
Luminance	L	Ta = 25 °C	tbd	1800	-	cd/m2	(1)
Color Gamut	CG		105	110	-	%	DCI-P3
Response Time	Tr Tf	Ta = 25°C	-	11	20	ms	(1)(4)

**Note 1: Measurement setup**

The LCD module should be stabilized at a given temperature for 2 hours to avoid abrupt temperature change during measurement. After temperature saturation measurement should be executed.

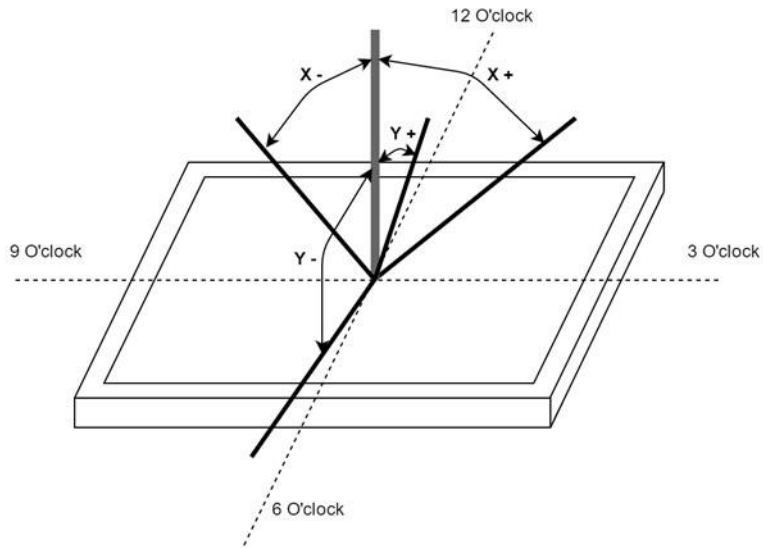
**Note 2: Brightness Uniformity**

Brightness uniformity = (Minimum Luminance of 9 points / Max Luminance of 9 points) \* 100

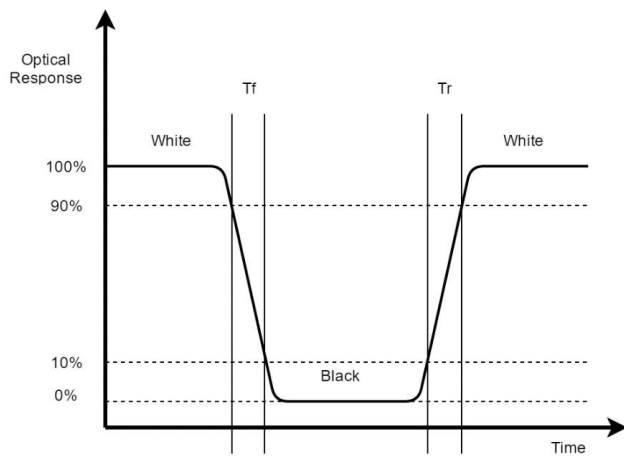


**Note 3: Viewing Angle**

Definition of viewing angle for Y+/- and X+/- is as follows.

**Note 4: Response Time**

Definition of response time as follows below.

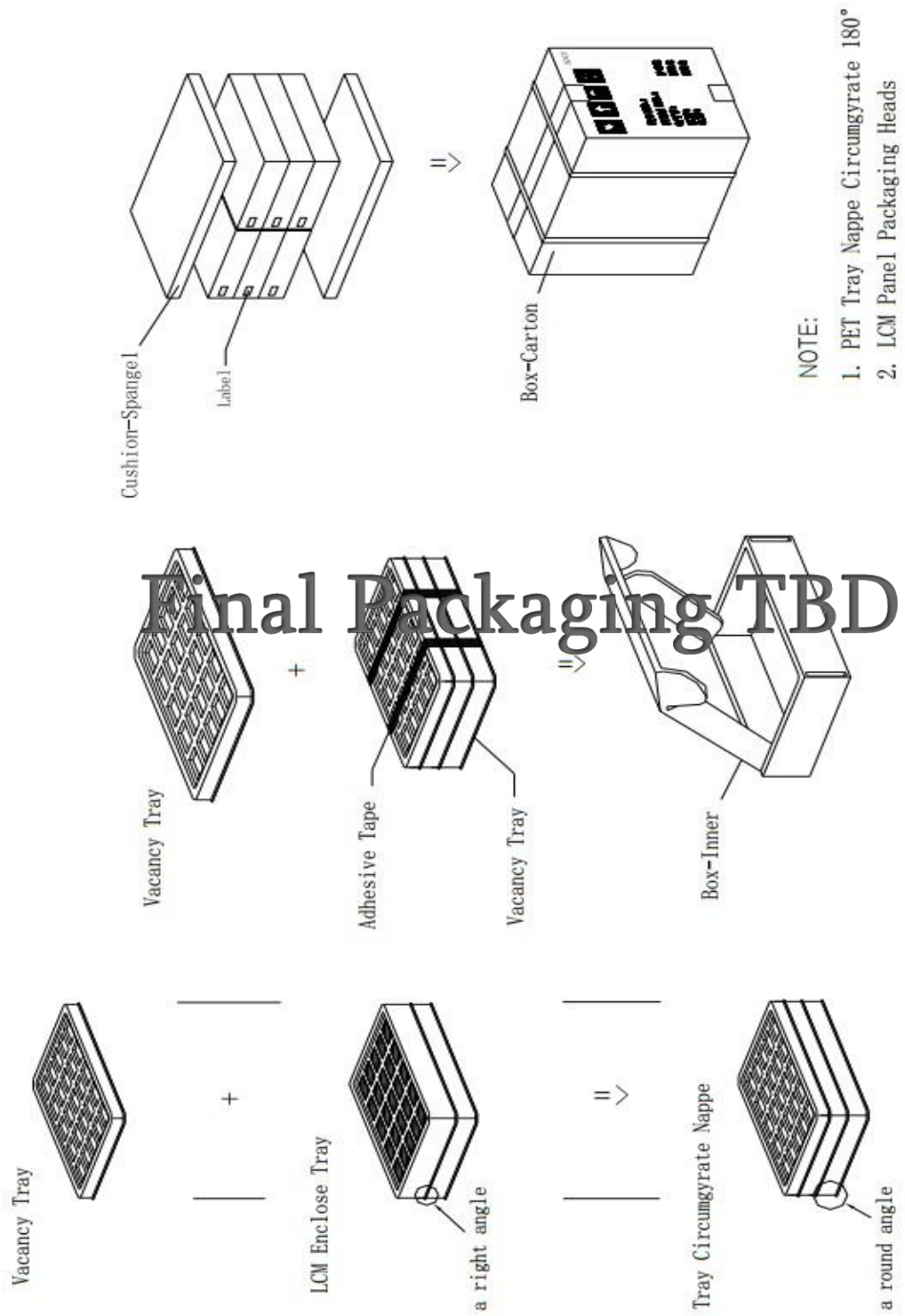


## Reliability

TBD

Functions, performance, appearance, etc. shall be free from remarkable deterioration under ordinary operating and storage conditions room temperature ( $25\pm 10^{\circ}\text{C}$ ), normal humidity ( $45\pm 20\% \text{RH}$ ), and in area not exposed to direct sun light.

# Packaging



Final Packaging TBD

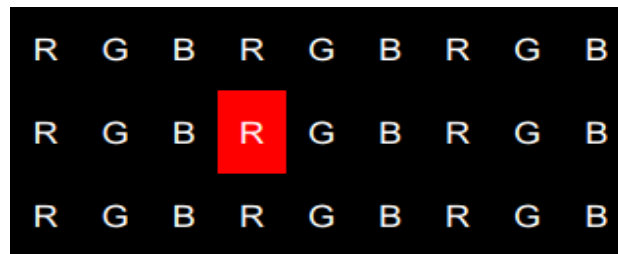
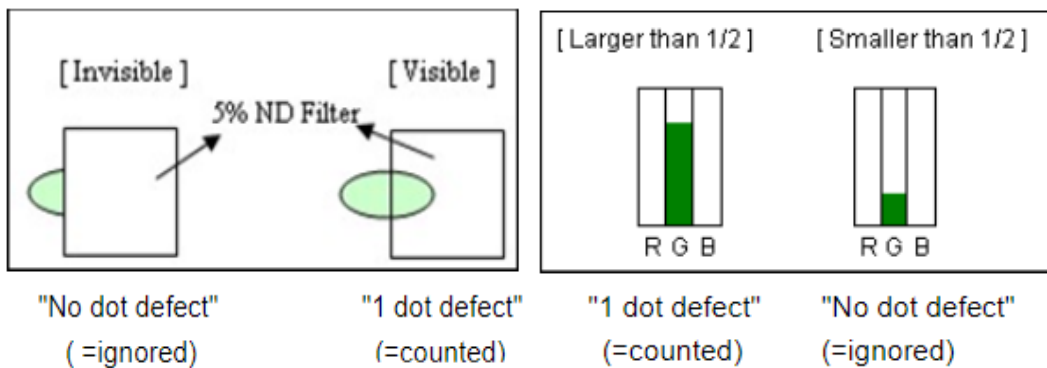


## Quality & Inspection Criteria

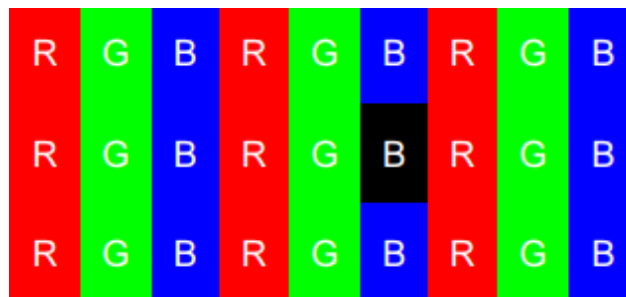
### Terminologies:

**LCD:** Liquid Crystal Display; Each pixel contains three dots of R, G, and B (sub-pixel).

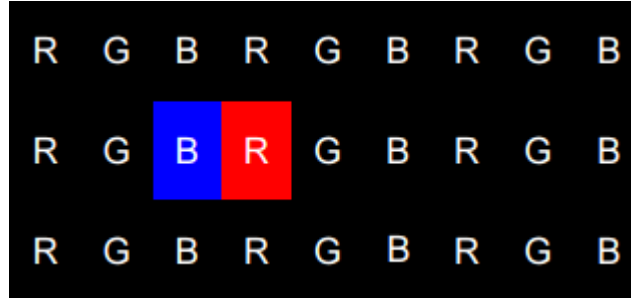
**Bright Dot:** 1 sub-pixel is a dot. Defects should be larger than 1/2 of a sub-pixel. Dots that are not visible through a 5% ND filter or smaller than 1/2 of sub-pixel size will not be counted as a dot defect.



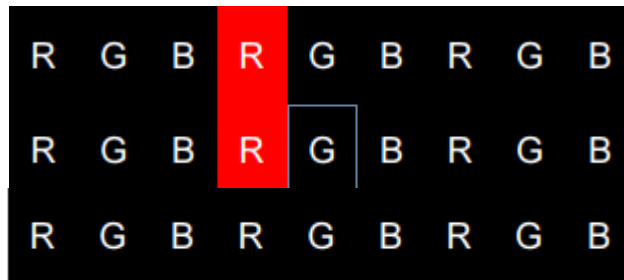
**Dark Dot:** Any single sub-pixel that does not light up in a white screen or another non-black screen is called a dark dot.



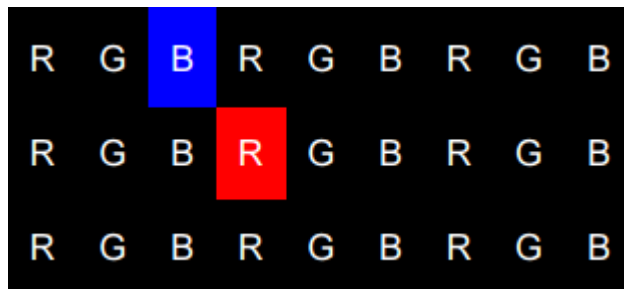
**Two adjacent dots (horizontal direction):** Use the bright dot illustration as an example to demonstrate two horizontal consecutive dots.



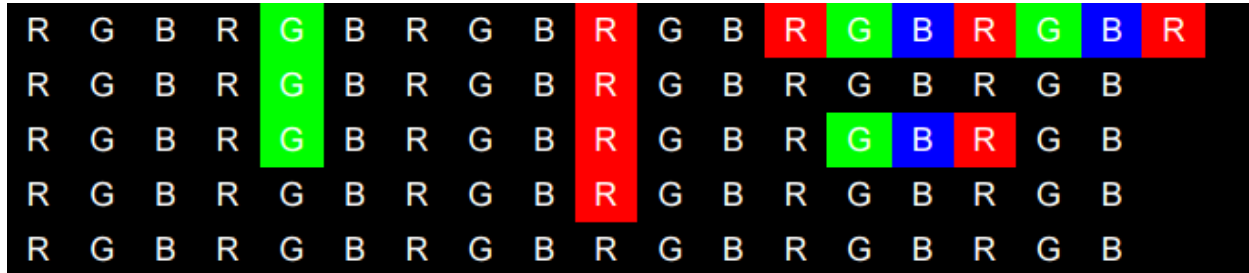
**Two adjacent dots (vertical direction):** Use the bright spot illustration as an example to demonstrate two vertical consecutive dots.



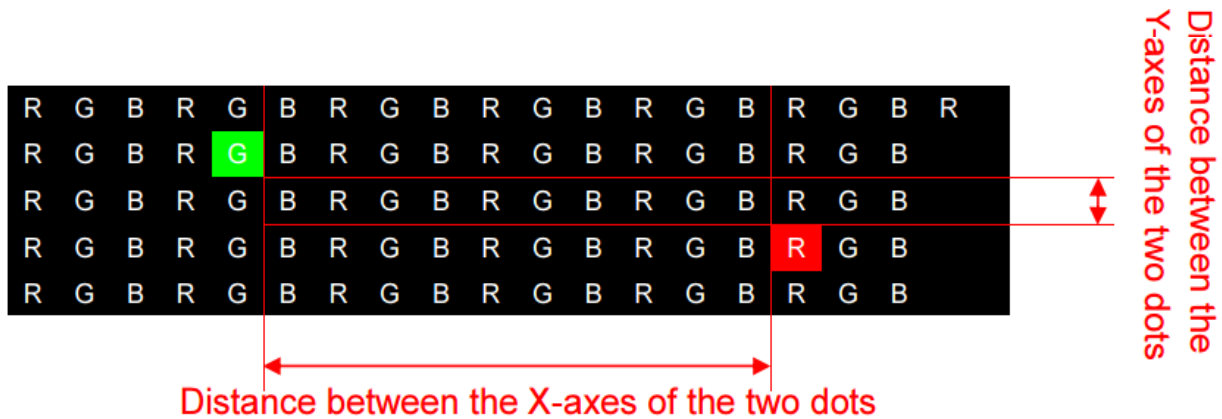
**Two adjacent dots (bevel direction):** Use the bright spot illustration as an example to demonstrate two consecutive dots in the bevel direction.



**Three or more adjacent dots (horizontal):** Use the bright spot illustration as an example to demonstrate three or more consecutive horizontal and vertical dots.



**Illustration of spacing between two dots:** (Distance is the relative distance between the X-axes of the two dots or the relative distance between the Y-axes of the two dots, whichever is larger)

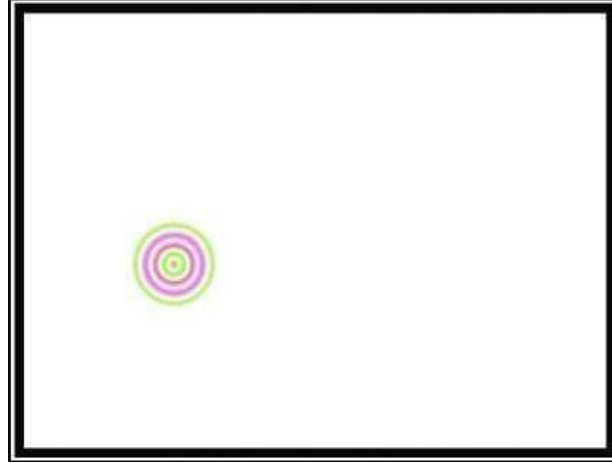


**Functional Test**

The LCD display testing program should display the following screens in order: all red, all green, all blue, all white, all gray, all black.

**Inspection Requirements**

After booting the system (single illumination), there are no non-display, unlit backlight, dark backlight, blinking, or other abnormal signs, and there are no bright lines, dark lines, or bright rims/leakage of light close to the LCD bezel.

**Newton's Ring**

Under high temperature and high humidity conditions, uneven deformations caused by heat in different layers of the LCD module will result in the display of an all-white screen. However, this condition can be recovered when temperature is resumed under normal circumstances. A specific determination can be conducted according to the operating conditions and storage conditions defined in the product's technical specifications. Any exception will be negotiated and mutually agreed by both parties. (Ripples are not permitted at fixed locations. For ripples at non-fixed locations, they are OK if they disappear within two seconds.)

**LCD blaze**

Uneven internal LCD installation, surface deformation of the LCD polarizer, internal structural interference of the LCD module, damaged LCD backlight plates, and other factors may cause partial fading of color on the LCD display. When observed from a certain incident angle (upper 10°, lower 3°, 40° on both sides), they will appear as white cicatrices, typically about the size of a grain of rice. In serious cases, they accumulate in large patches or stripes, appear in different degrees under various colors (red, blue, green, black, gray, white), and are especially obvious under an all-gray screen. Blazes with diameters  $\geq 0.5\text{mm}$  are not allowed: for those with diameters under 0.5 mm, 2 are acceptable if the space between them is  $\geq 15\text{mm}$ . Card chromatic aberration ratio versus ND Filter:  $1.0 + 0.3$  standard = 5% ND Filer (see definition of Mura).

## Mura

Mura refers to the unevenness and irregularity that is visible in the image. It is difficult for visual inspection to recognize the non-uniform brightness or mura. Mura detection is subjective and therefore doesn't have pass/fail criteria. There are several precautions to take which can avoid mura. Avoid high ambient temperatures around the module, frame warpage and high temperature operation over long periods of time. Utilize screen savers to avoid mura.

## Inspection Conditions

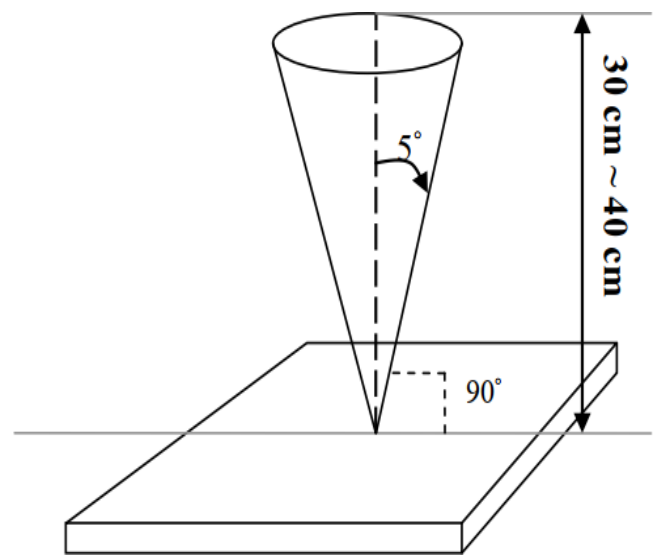
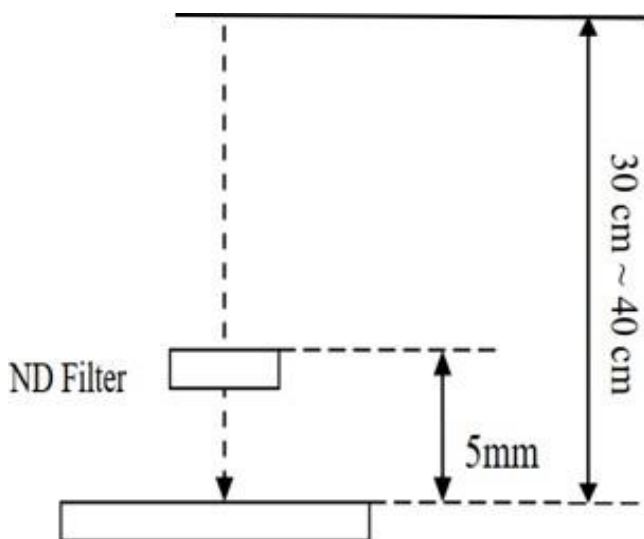
Inspection distance should be  $35\text{cm} \pm 5\text{cm}$  with a FujiFilm ND-LCD 5% filter approximately 5cm from the backlight surface.

Viewing angle:  $90^\circ \pm 5^\circ$ .

Room temperature:  $23 \pm 2^\circ\text{C}$

Humidity:  $60 \pm 10\%$

Inspection Ambient Illumination: 300-700 LUX



[www.lincolntechnsolutions.com](http://www.lincolntechnsolutions.com)

©2020 All rights reserved.

Rev.1.0

## Acceptance Criteria Table:

There should be no corrosion or cracking, or an uneven coating layer on LCD display surface, and there should be no sign of coagulation, flaking, cracking, or wear. The definition of minor defects and acceptance criteria are shown in the following table:

Item	Size	Unit	Acceptance qty.
Unfelt scratch visible with backlight off.	W < 0.05	mm	Ignore
	W > .05 and < .10 L > .3 and < 3.0	mm	4
	W > .10 or L > 3.0	mm	none
	Visible with backlight on		none
Felt scratch	None allowed		
Dent visible with backlight off	D < .2	mm	Ignore
	D > .2 and < .5	mm	5
	Spacing between defects must be > 30mm		
	D > .5	mm	none
	Visible with backlight on		none
Bubble visible with backlight off	D < .2	mm	Ignore
	D > .2 and < .5	mm	5
	D > .5	mm	none
	Visible with backlight on		none
	W < .05		Ignore

Item	Size	Unit	Acceptance qty.
Foreign material (line shape) visible with backlight on		mm	
	W > .05 and < .10 L > .3 and < 2.0	mm	4
	W > .10 or L > 2.0	mm	none
Foreign material (dot shape) visible with backlight on	D < .2	mm	Ignore
	D > .2 and < .5	mm	5
	D > .5	mm	none
Bright dot defect(lit)	1 dot	-	4
	2 adjacent dots	-	0
Dark dot defect (not lit)	1 dot	-	5
	2 adjacent dots	-	2
	3 adjacent dots	-	0

Our company network supports you worldwide with offices in Germany, Austria, Switzerland, the UK and the USA. For more information please contact:

## Headquarters

### Germany



#### FORTEC Elektronik AG

Augsburger Str. 2b  
82110 Germering

Phone: +49 89 894450-0  
E-Mail: [info@forteca.de](mailto:info@forteca.de)  
Internet: [www.forteca.de](http://www.forteca.de)

## Fortec Group Members

### Austria



#### Distec GmbH Office Vienna

Nuschinggasse 12  
1230 Wien

Phone: +43 1 8673492-0  
E-Mail: [info@distec.de](mailto:info@distec.de)  
Internet: [www.distec.de](http://www.distec.de)

### Germany



#### Distec GmbH

Augsburger Str. 2b  
82110 Germering

Phone: +49 89 894363-0  
E-Mail: [info@distec.de](mailto:info@distec.de)  
Internet: [www.distec.de](http://www.distec.de)

### Switzerland



#### ALTRAC AG

Bahnhofstraße 3  
5436 Würenlos

Phone: +41 44 7446111  
E-Mail: [info@altrac.ch](mailto:info@altrac.ch)  
Internet: [www.altrac.ch](http://www.altrac.ch)

### United Kingdom



#### Display Technology Ltd.

Osprey House, 1 Osprey Court  
Hinchingbrooke Business Park  
Huntingdon, Cambridgeshire, PE29 6FN

Phone: +44 1480 411600  
E-Mail: [info@displaytechnology.co.uk](mailto:info@displaytechnology.co.uk)  
Internet: [www.displaytechnology.co.uk](http://www.displaytechnology.co.uk)

### USA



#### Apollo Display Technologies, Corp.

87 Raynor Avenue, Unit 1  
Ronkonkoma, NY 11779

Phone: +1 631 5804360  
E-Mail: [info@apolloDisplays.com](mailto:info@apolloDisplays.com)  
Internet: [www.apolloDisplays.com](http://www.apolloDisplays.com)