



OUR GLOBAL  
COMPETENCE  
CENTRES

 APOLLO DISPLAY  
TECHNOLOGIES



 DISTEC



 DISPLAY  
TECHNOLOGY



# Datasheet

## LG Display

**LD750EQD-FLM1**

HD-10-165

# SPECIFICATION FOR APPROVAL

- ( ) Preliminary Specification
- (●) Final Specification

Title	75.0" QWUXGA TFT LCD
-------	----------------------

BUYER	
MODEL	

SUPPLIER	LG Display Co., Ltd.
*MODEL	LD750EQD
SUFFIX	FLM1 (RoHS Verified)

APPROVED BY	SIGNATURE DATE
/	
/	
/	

APPROVED BY	SIGNATURE DATE
SungJun Lee / Team Leader	
REVIEWED BY	
JunTae Jung / Project Leader	
PREPARED BY	
GuwiHwan Go / Engineer	

Please return 1 copy for your confirmation with your signature and comments.

**TV Product Development Dept.  
LG Display Co., Ltd.**

## Product Specification

**CONTENTS**

Number	ITEM	Page
	COVER	-
	CONTENTS	1
	RECORD OF REVISIONS	2
1	GENERAL DESCRIPTION	3
2	ABSOLUTE MAXIMUM RATINGS	4
3	ELECTRICAL SPECIFICATIONS	5
3-1	ELECTRICAL CHARACTERISTICS	6
3-2	INTERFACE CONNECTIONS	7
3-3	SIGNAL TIMING SPECIFICATIONS	12
3-4	V by One SIGNAL SPECIFICATIONS	13
3-5	COLOR DATA REFERENCE	14
3-6	POWER SEQUENCE	15
4	OPTICAL SPECIFICATIONS	17
5	MECHANICAL CHARACTERISTICS	21
6	RELIABILITY	24
7	INTERNATIONAL STANDARDS	25
7-1	SAFETY	25
7-2	ENVIRONMENT	25
8	PACKING	26
8-1	INFORMATION OF LCM LABEL	26
8-2	PACKING FORM	26
9	PRECAUTIONS	27
9-1	MOUNTING PRECAUTIONS	27
9-2	OPERATING PRECAUTIONS	27
9-3	ELECTROSTATIC DISCHARGE CONTROL	28
9-4	PRECAUTIONS FOR STRONG LIGHT EXPOSURE	28
9-5	STORAGE	28
9-6	APPROPRIATE CONDITION FOR COMMERCIAL DISPLAY	29



## Product Specification

## 1. General Description

The LD750EQD is a Color Active Matrix Liquid Crystal Display with an integral Light Emitting Diode (LED) backlight system. The matrix employs a-Si Thin Film Transistor as the active element.

It is a transmissive display type which is operating in the normally black mode. It has a 74.52 inch diagonally measured active display area with QWUXGA resolution (2160 vertical by 3840 horizontal pixel array).

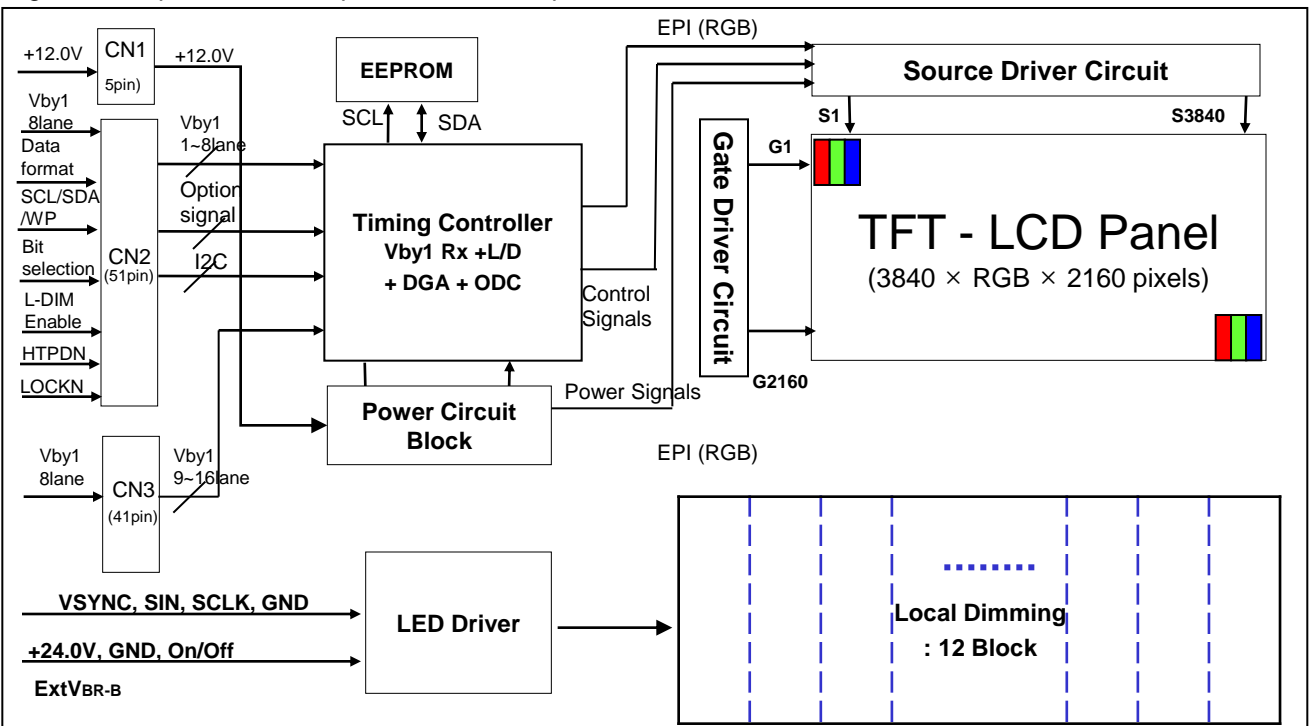
Each pixel is divided into Red, Green and Blue sub-pixels or dots which are arrayed in vertical stripes.

Gray scale or the luminance of the sub-pixel color is determined with a 10-bit gray scale signal for each dot.

Therefore, it can present a palette of more than 1.07Billion colors.

It has been designed to apply the 10-bit 16 Lane V by One interface.

It is intended to support Commercial Display where high brightness, super wide viewing angle, high color gamut, high color depth and fast response time are important.



Active Screen Size	74.52 inches(1872.7 mm) diagonal
Outline Dimension	1675.2 (H) × 953.6 (V) X 11.9 (B) (Typ.)
Pixel Pitch	0.429 mm x 0.429 mm
Pixel Format	3840 horiz. by 2160 vert. Pixels, RGB stripe arrangement
Color Depth	10bit(D), 1.07Billion colors
Luminance, White	650 cd/m <sup>2</sup> (Center 1point ,Typ.)
Viewing Angle (CR>10)	Viewing angle free ( R/L 178 (Min.), U/D 178 (Min.))
Power Consumption	Total 203.4 W (Typ.) [Logic= 9.7W, LED Driver= 193.7W (ExtVbr_B=100%)]
Weight	33.1 Kg (Typ.), 36.4 Kg(Max)
Display Mode	Transmissive mode, Normally black
Surface Treatment	Hard coating(3H), Anti-glare treatment of the front polarizer(Haze 28%(Typ.))

## Product Specification

## 2. Absolute Maximum Ratings

The following items are maximum values which, if exceeded, may cause faulty operation or permanent damage to the LCD module.

**Table 1. ABSOLUTE MAXIMUM RATINGS**

Parameter		Symbol	Value		Unit	Notes	
			Min	Max			
Power Input Voltage	LCD Circuit	VLCD	-0.3	+14.0	VDC	1	
	Driver	VBL	-0.3	+ 27.0	VDC		
Driver Control Voltage	ON/OFF	V <sub>OFF</sub> / V <sub>ON</sub>	-0.3	+3.9	VDC		
	Brightness	<b>EXTV</b> <sub>BR-B</sub>	-0.3	+3.9	VDC		
	Status	Status	-0.3	+3.9	VDC		
T-Con Option Selection Voltage		V <sub>LOGIC</sub>	-0.3	+4.0	VDC		
Operating Temperature		T <sub>OP</sub>	0	+50	°C		2,3
Storage Temperature		T <sub>ST</sub>	-20	+60	°C		
Panel Front Temperature		T <sub>SUR</sub>	-	+68	°C		4
Operating Ambient Humidity		H <sub>OP</sub>	10	90	%RH		2,3
Storage Humidity		H <sub>ST</sub>	5	90	%RH		

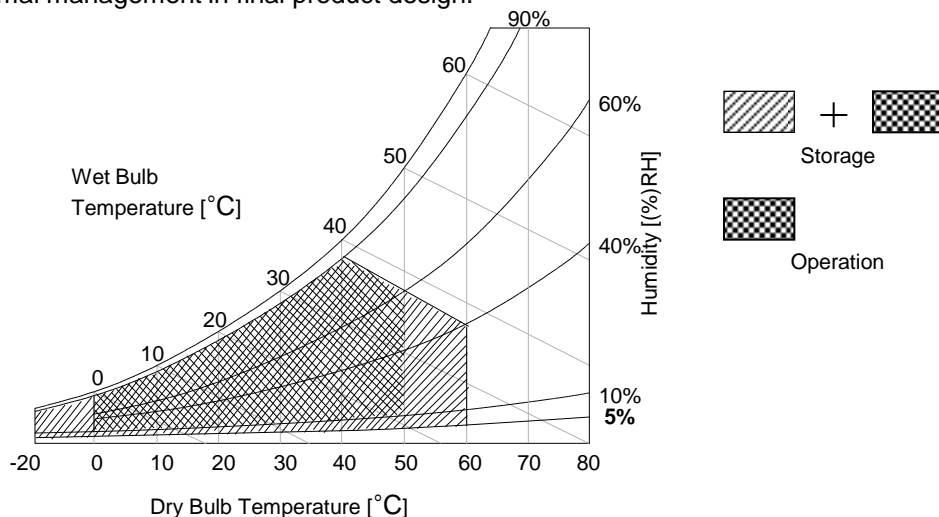
Notes 1. Ambient temperature condition ( $T_a = 25 \pm 2 \text{ }^\circ\text{C}$ )

2. Temperature and relative humidity range are shown in the figure below.

Wet bulb temperature should be Max 39°C, and no condensation of water.

3. Gravity mura can be guaranteed below 40°C condition.

4. The maximum operating temperatures is based on the test condition that the surface temperature of display area is less than or equal to 68°C with LCD module alone in a temperature controlled chamber. Thermal management should be considered in final product design to prevent the surface temperature of display area from being over 68°C. The range of operating temperature may be degraded in case of improper thermal management in final product design.



## Product Specification

### 3. Electrical Specifications

#### 3-1. Electrical Characteristics

It requires two power inputs. One is employed to power for the LCD circuit. The other is used for the LED backlight and LED Driver circuit.

**Table 2. ELECTRICAL CHARACTERISTICS**

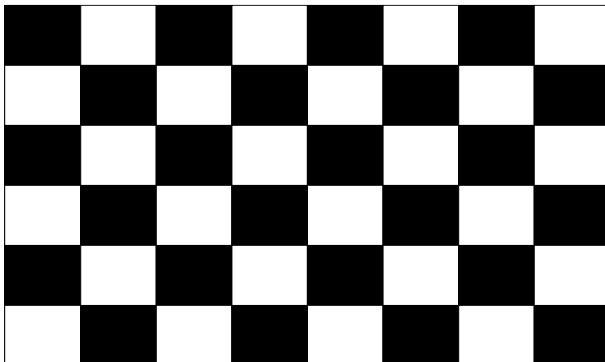
Parameter	Symbol	Value			Unit	notes
		Min	Typ	Max		
<b>Circuit :</b>						
Power Input Voltage	V <sub>LCD</sub>	10.8	12.0	13.2	V <sub>DC</sub>	
Power Input Current	I <sub>LCD</sub>	-	810	1053	mA	1
		-	2990	3887	mA	2
T-CON Option Selection Voltage	Input High Voltage	V <sub>IH</sub>	2.7	-	V <sub>DC</sub>	
	Input Low Voltage	V <sub>IL</sub>	0	-	V <sub>DC</sub>	
Power Consumption	P <sub>LCD</sub>	-	9.72	12.6	Watt	1
Rush current	I <sub>RUSH</sub>	-	-	8.0	A	3

notes

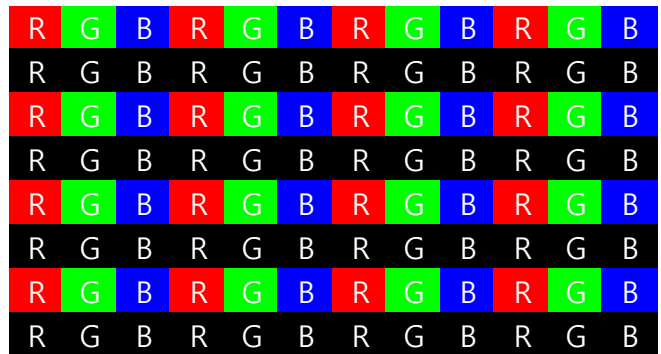
1. The specified current and power consumption are under the V<sub>LCD</sub>=12.0V, T<sub>a</sub>=25 ± 2°C, f<sub>v</sub>=120Hz condition, and mosaic pattern(8 x 6) is displayed and f<sub>v</sub> is the frame frequency.
2. The current is specified at the maximum current pattern.
3. The duration of rush current is about 2ms and rising time of power input is 0.5ms (min.).
4. Ripple voltage level is recommended under ±5% of typical voltage

White : 1023 Gray

Black : 0 Gray



**Mosaic Pattern(8 x 6)**



**Max Current Pattern**



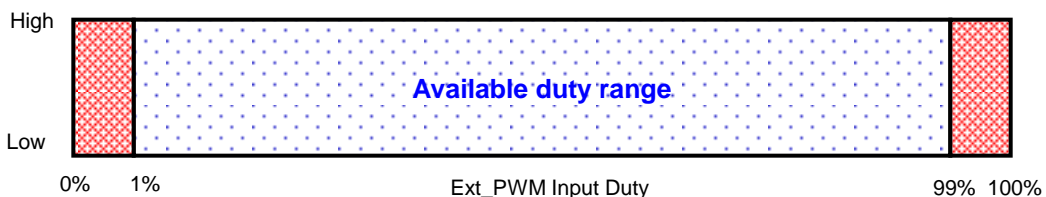
## Product Specification

Table 3. ELECTRICAL CHARACTERISTICS (Continue)

Parameter		Symbol	Values			Unit	Notes		
			Min	Typ	Max				
LED Driver :									
Power Supply Input Voltage		VBL	21.6	24.0	26.4	Vdc	1		
Power Supply Input Current		IBL	-	8.1	8.7	A	1		
Power Supply Input Current (In-Rush)		In-rush	-	-	16	A	VBL = 21.6V ExtVBR-B=100% 4		
Power Consumption (Total)		PBL	-	193.7	209.9	W	1		
Input Voltage for Control System Signals	On/Off	On	V on	2.5	-	3.6	Vdc	On Duty 6	
		Off	V off	-0.3	0.0	0.7	Vdc		
	Brightness Adjust		ExtVBR-B	1	-	100	%		
	PWM Frequency for NTSC & PAL		PAL		100		Hz		3
			NTSC		120		Hz		3
	Pulse Duty Level (PWM)		HighLevel	2.5	-	3.6	Vdc		HIGH : on duty LOW : off duty
Low Level			0.0	-	0.7	Vdc			
LED :									
Life Time			30,000	50,000		Hrs	6		

## Notes :

- Electrical characteristics are determined after the unit has been 'ON' and stable for approximately 60 minutes at  $25 \pm 2^\circ\text{C}$ . The specified current and power consumption are under the typical supply Input voltage 24V and VBR (ExtVBR-B : 100%), it is total power consumption.
- LGD recommend that the PWM freq. is synchronized with One time harmonic of V\_sync signal of system. Though PWM frequency is over 120Hz (max 252Hz), function of LED Driver is not affected.
- The duration of rush current is about 200ms. This duration is applied to LED on time
- Even though inrush current is over the specified value, there is no problem if I<sup>2</sup>T spec of fuse is satisfied.
- Ext\_PWM Signal have to input available duty range.  
Between 99% and 100% ExtVBR-B duty have to be avoided. (  $99\% < \text{ExtVBR-B} < 100\%$  )  
But ExtVBR-B 0% and 100% is possible.
- The life time is determined as the time at which brightness of the LED is 50% compared to that of initial value at the typical LED current on condition of continuous operating at  $25 \pm 2^\circ\text{C}$ , based on duty 100%.



## Product Specification

### 3-2. Interface Connections

This LCD module employs three kinds of interface connection, 5-pin connector, 51-pin connector and 41-pin connector are used for the module electronics and 14-pin, 12-pin connector is used for the integral backlight system.

#### 3-2-1. LCD Module

- LCD Connector(CN1): 20037WR-H05 (manufactured by YEONHO)

**Table 4-1. MODULE CONNECTOR(CN1) PIN CONFIGURATION**

No	Symbol	Description
1	GND	Ground
2	GND	Ground
3	VLCD	Power Supply +12.0V
4	VLCD	Power Supply +12.0V
5	VLCD	Power Supply +12.0V

## Product Specification

- LCD Connector(CN1): FI-RXE51S-HF (manufactured by JAE) or compatible or GT05S-51S-H38 (manufactured by LSM) or IS050-C51B-C39-C(manufactured by UJU)

**Table 4-2. MODULE CONNECTOR(CN2) PIN CONFIGURATION**

No	Symbol	Description	No	Symbol	Description
1	NC	No Connection(notes 2)	27	GND	Ground
2	NC	No Connection(notes 2)	28	Rx0n	V-by-One HS Data Lane 0
3	NC	No Connection(notes 2)	29	Rx0p	V-by-One HS Data Lane 0
4	NC	No Connection(notes 2)	30	GND	Ground
5	NC	No Connection(notes 2)	31	Rx1n	V-by-One HS Data Lane 1
6	NC	No Connection(notes 2)	32	Rx1p	V-by-One HS Data Lane 1
7	NC	No Connection(notes 2)	33	GND	Ground
8	NC	No Connection(notes 2)	34	Rx2n	V-by-One HS Data Lane 2
9	NC	No Connection	35	Rx2p	V-by-One HS Data Lane 2
10	GND	Ground	36	GND	Ground
11	GND	Ground	37	Rx3n	V-by-One HS Data Lane 3
12	GND	Ground	38	Rx3p	V-by-One HS Data Lane 3
13	GND	Ground	39	GND	Ground
14	GND	Ground	40	Rx4n	V-by-One HS Data Lane 4
15	Data format 0	Input Data Format [1:0] : '00'=Mode1, '01'=Mode2, '10'=Mode3, '11'=Mode4	41	Rx4p	V-by-One HS Data Lane 4
16	Data format 1		42	GND	Ground
17	NC	No Connection (notes 4)	43	Rx5n	V-by-One HS Data Lane 5
18	NC	No Connection (notes 4)	44	Rx5p	V-by-One HS Data Lane 5
19	NC	No Connection (notes 4)	45	GND	Ground
20	NC	No Connection (notes 4)	46	Rx6n	V-by-One HS Data Lane 6
21	Bit SEL	'H' or NC= 10bit(D) , 'L' = 8bit	47	Rx6p	V-by-One HS Data Lane 6
22	L-DIM Enable	'H' or NC = Enable ( Default On) 'L' = Disable	48	GND	Ground
23	AGP or NSB	'H' or NC : AGP 'L' : NSB (No signal Black)	49	Rx7n	V-by-One HS Data Lane 7
24	GND	Ground	50	Rx7p	V-by-One HS Data Lane 7
25	HTPDN	Hot plug detect	51	GND	Ground
26	LOCKN	Lock detect	-	-	-

notes

- All GND (ground) pins should be connected together to the LCD module's metal frame.
- #1~#8 NC (No connection) : These pins are used for back up power source, V<sub>LCD</sub> (power input) .  
These pins are should be connected together.
- All Input levels of V-by-One signals are based on the V-by-One HS Standard Version 1.4
- Specific pin (**#22**) is used for Local Dimming function of the LCD module. If not used, connect to GND.
- Specific pin No. **#23** is used for "No signal detection" of system signal interface.  
It should be GND for NSB (No Signal Black) while the system interface signal is not.  
If this pin is "H" or "NC", LCD Module displays AGP (Auto Generation Pattern).

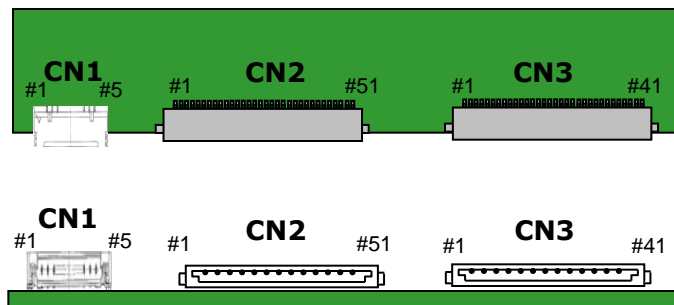
## Product Specification

- LCD Connector (CN2) : FI-RXE41S-HF (manufactured by JAE) or GT05S-41S-H38(manufactured by LSM)  
or IS050-C41B-C39-C(manufactured by UJU)

**Table 4-3. MODULE CONNECTOR(CN3) PIN CONFIGURATION**

No	Symbol	Description	No	Symbol	Description
1	GND	Ground	22	GND	Ground
2	Rx8n	V-by-One HS Data Lane 8	23	Rx15n	V-by-One HS Data Lane 15
3	Rx8p	V-by-One HS Data Lane 8	24	Rx15p	V-by-One HS Data Lane 15
4	GND	Ground	25	GND	Ground
5	Rx9n	V-by-One HS Data Lane 9	26	NC	NO CONNECTION
6	Rx9p	V-by-One HS Data Lane 9	27	NC	NO CONNECTION
7	GND	Ground	28	NC	NO CONNECTION
8	Rx10n	V-by-One HS Data Lane 10	29	NC	NO CONNECTION
9	Rx10p	V-by-One HS Data Lane 10	30	NC	NO CONNECTION
10	GND	Ground	31	NC	NO CONNECTION
11	Rx11n	V-by-One HS Data Lane 11	32	NC	NO CONNECTION
12	Rx11p	V-by-One HS Data Lane 11	33	NC	NO CONNECTION
13	GND	Ground	34	NC	NO CONNECTION
14	Rx12n	V-by-One HS Data Lane 12	35	NC	NO CONNECTION
15	Rx12p	V-by-One HS Data Lane 12	36	NC	NO CONNECTION
16	GND	Ground	37	NC	NO CONNECTION
17	Rx13n	V-by-One HS Data Lane 13	38	NC	NO CONNECTION
18	Rx13p	V-by-One HS Data Lane 13	39	NC	NO CONNECTION
19	GND	Ground	40	NC	NO CONNECTION
20	Rx14n	V-by-One HS Data Lane 14	41	NC	NO CONNECTION
21	Rx14p	V-by-One HS Data Lane 14	-		

- notes : 1. All GND (ground) pins should be connected together to the LCD module's metal frame.  
2. #26~#41 NC (No Connection) : These pins are used only for LGD (Do not connect)



**Rear view of LCM**

## Product Specification

**3-2-2. Backlight Module**

## Master

-LED Driver Connector

: 20022WR - H14B2(Yeonho) or compatible, 20022WR-H12B2(Yeonho) or compatible

- Mating Connector

: 20022HS-H14B2(Yeonho) or compatible, 20022HS-H12B2(Yeonho) or compatible

**Table 5-1. LED DRIVER CONNECTOR PIN CONFIGURATION**

Pin No	Symbol	Description (CN_A1)	Description (CN_A2)	Note
1	VBL	Power Supply +24.0V	Power Supply +24.0V	
2	VBL	Power Supply +24.0V	Power Supply +24.0V	
3	VBL	Power Supply +24.0V	Power Supply +24.0V	
4	VBL	Power Supply +24.0V	Power Supply +24.0V	
5	VBL	Power Supply +24.0V	Power Supply +24.0V	
6	GND	Backlight Ground	Backlight Ground	1
7	GND	Backlight Ground	Backlight Ground	
8	GND	Backlight Ground	Backlight Ground	
9	GND	Backlight Ground	Backlight Ground	
10	GND	Backlight Ground	Backlight Ground	
11	Status	Backlight Status	Don't care	2
12	VON/OFF	Backlight ON/OFF control	Don't care	
13	NC	Don't care		
14	EXTVBR_B	External PWM		3

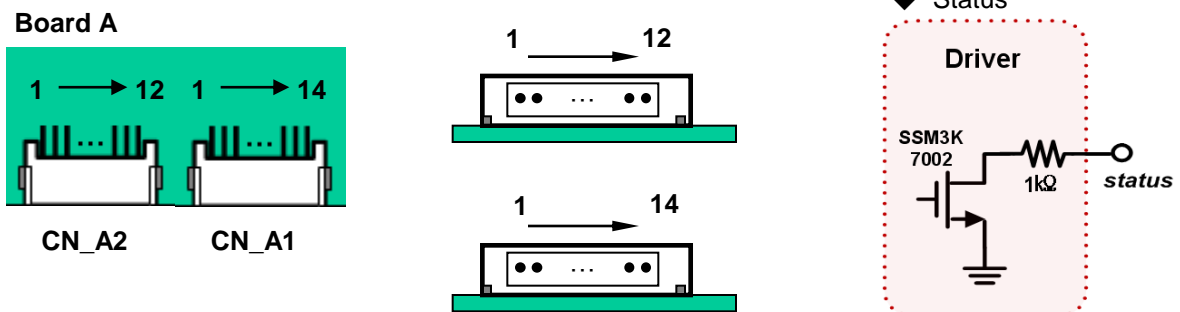
notes : 1. GND should be connected to the LCD module's metal frame.

2. Normal : Low (under 0.7V) / Abnormal : Open

3. High : on duty / Low : off duty, Pin#14 can be opened. ( if Pin #14 is open , EXTVBR-B is 100% )

4. Each impedance of pin #12 and 14 is over 50 [KΩ] .

## ◆ Rear view of LCM



## Product Specification

**3-3. Signal Timing Specifications**

Table 6 shows the signal timing required at the input of the LVDS transmitter. All of the interface signal timings should be satisfied with the following specification for normal operation.

**Table 6. TIMING TABLE (DE Only Mode)**

ITEM		Symbol	Min	Typ	Max	Unit	Note
Horizontal	Display Period	$t_{HV}$	240	240	240	$t_{CLK}$	3840/16
	Blank	$t_{HB}$	25	35	60	$t_{CLK}$	1
	Total	$t_{HP}$	265	275	300	$t_{CLK}$	
Vertical	Display Period	$t_{VV}$	2160	2160	2160	Lines	
	Blank	$t_{VB}$	40	90	600	Lines	1
	Total	$t_{VP}$	2200	2250	2760	Lines	

ITEM		Symbol	Min	Typ	Max	Unit	Note
Frequency	DCLK	$f_{CLK}$	67	74.25	78.00	MHz	1188/16
	Horizontal	$f_H$	244	270	280	KHz	1
	Vertical	$f_V$	95	120	122	Hz	2

notes: 1. The input of HSYNC & VSYNC signal does not have an effect on normal operation (DE Only Mode).  
If you use spread spectrum of EMI, add some additional clock to minimum value for clock margin.

2. The performance of the electro-optical characteristics may be influenced by variance of the vertical refresh rate and the horizontal frequency

3. Spread Spectrum Rate (SSR) is limited to  $\pm 0.5\%$  center spread at 30KHz

※ Timing should be set based on clock frequency.

## Product Specification

## 3-4. V by One input signal Characteristics

## 3-4-1. V by One Input Signal Timing Diagram

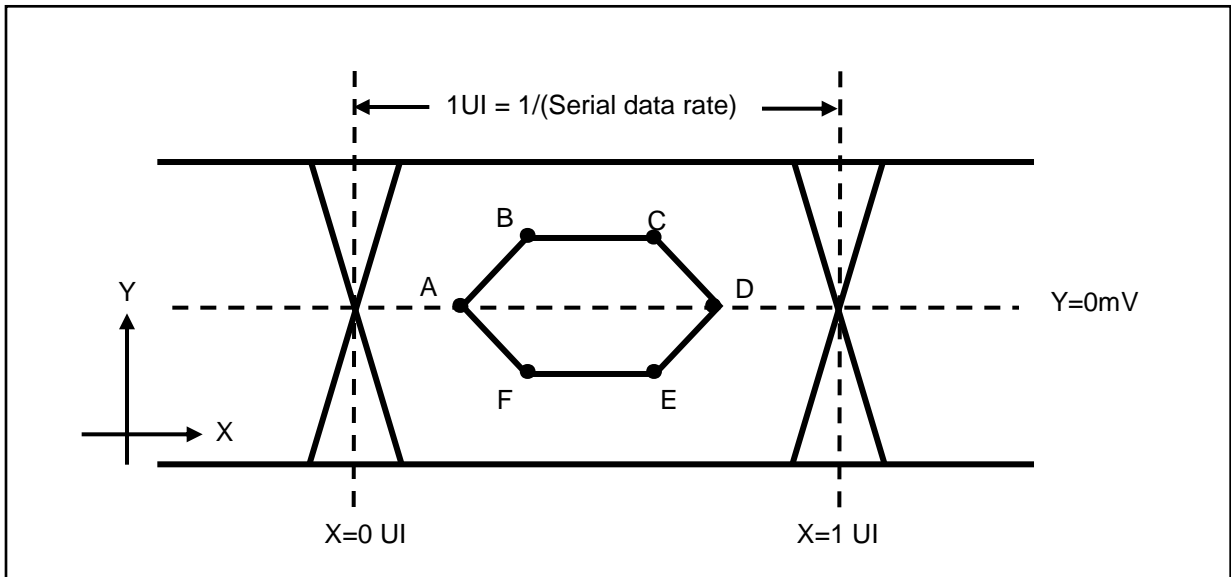


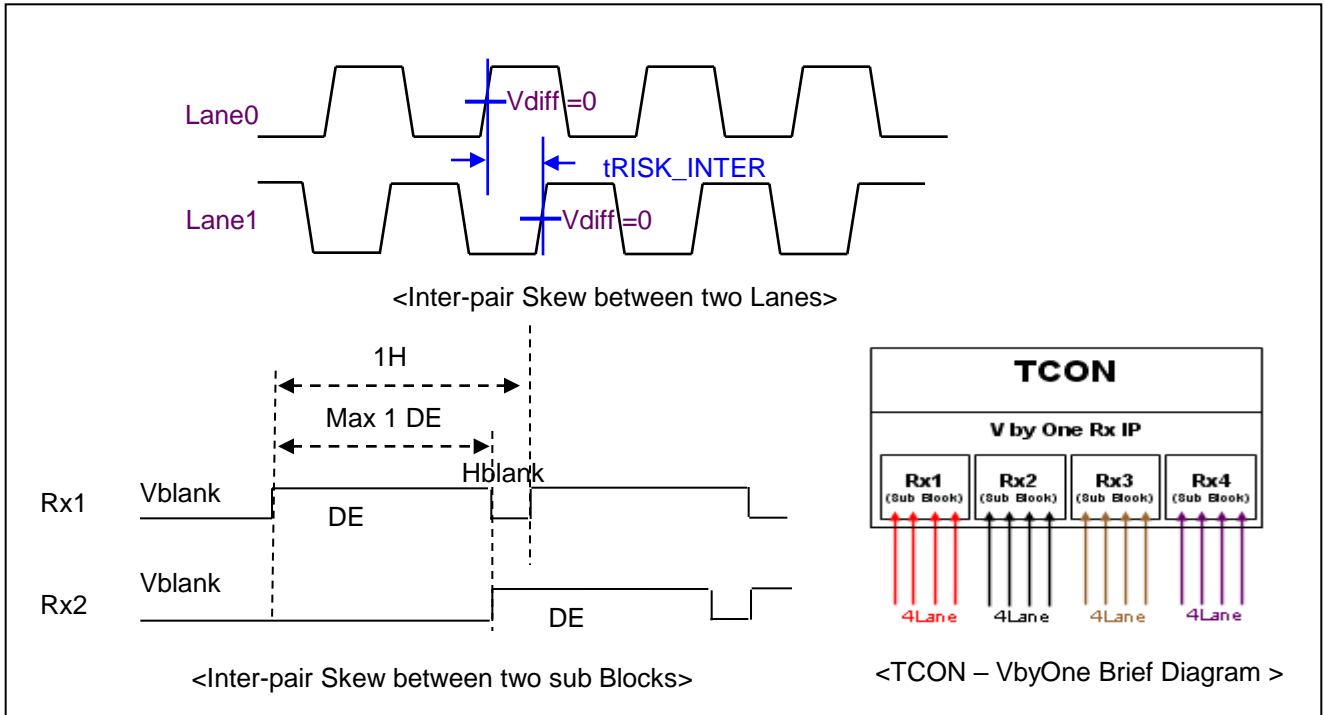
Table7. Eye Mask Specification

	X[UI]	Note	Y[mV]	Note
A	0.25 (max)	2	0	-
B	0.3 (max)	2	50	3
C	0.7(min)	3	50	3
D	0.75(min)	3	0	-
E	0.7(min)	3	-50	3
F	0.3(max)	2	-50	3

- notes
- All Input levels of V by One signals are based on the V by One HS Standard Ver. 1.4
  - This is allowable maximum value.
  - This is allowable minimum value.
  - The eye diagram is measured by the oscilloscope and receiver CDR characteristic must be emulated.
    - PLL bandwidth : 15 Mhz
    - Damping Factor : 1.0

## Product Specification

## 3-4-2. V by One Input Signal Characteristics



Description	Symbol	Min	Max	Unit	notes
Allowable inter-pair skew between lanes	$t_{RISK\_INTER}$	-	5	UI	1,3
Allowable iner-pair skew between sub-blocks	$t_{RISK\_BLOCK}$	-	1	DE	1,4

Notes 1.1UI = 1/serial data rate

2. it is the time difference between the true and complementary single-ended signals.
3. it is the time difference of the differential voltage between any two lanes in one sub block.
4. it is the time difference of the differential voltage between any two blocks in one IP.



## Product Specification

**3-5. Color Data Reference**

The brightness of each primary color (red, green, blue) is based on the 10bit or 8bit gray scale data input for the color. The higher binary input, the brighter the color. Table 8 provides a reference for color versus data input.

**Table 8. COLOR DATA REFERENCE**

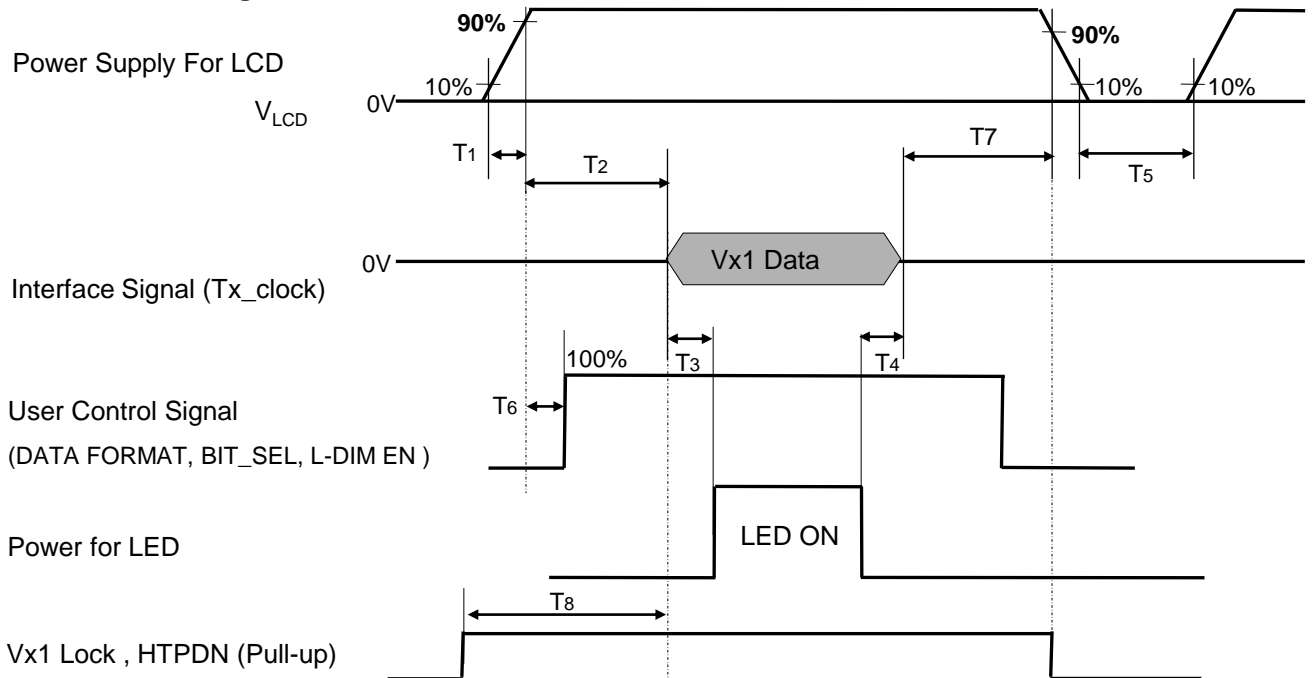
Packer input & Unpacker output		30bpp RGB (10bit)	24bpp RGB (8bit)
Byte0	D[0]	R[2]	R[0]
	D[1]	R[3]	R[1]
	D[2]	R[4]	R[2]
	D[3]	R[5]	R[3]
	D[4]	R[6]	R[4]
	D[5]	R[7]	R[5]
	D[6]	R[8]	R[6]
	D[7]	R[9]	R[7]
Byte1	D[8]	G[2]	G[0]
	D[9]	G[3]	G[1]
	D[10]	G[4]	G[2]
	D[11]	G[5]	G[3]
	D[12]	G[6]	G[4]
	D[13]	G[7]	G[5]
	D[14]	G[8]	G[6]
	D[15]	G[9]	G[7]
Byte2	D[16]	B[2]	B[0]
	D[17]	B[3]	B[1]
	D[18]	B[4]	B[2]
	D[19]	B[5]	B[3]
	D[20]	B[6]	B[4]
	D[21]	B[7]	B[5]
	D[22]	B[8]	B[6]
	D[23]	B[9]	B[7]
Byte3	D[24]	Don't care	
	D[25]	Don't care	
	D[26]	B[0]	
	D[27]	B[1]	
	D[28]	G[0]	
	D[29]	G[1]	
	D[30]	R[0]	
	D[31]	R[1]	

Notes 1. 30bpp RGB (10bit) is 4 byte mode, otherwise (24bpp RGB) 3byte mode

## Product Specification

## 3-6. Power Sequence

## 3-6-1. LCD Driving circuit



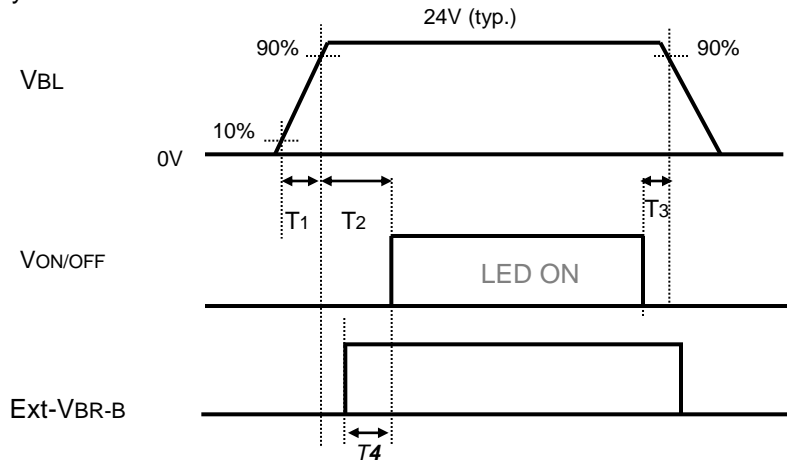
Parameter	Value			Unit	Note
	Min	Typ	Max		
T1	0.5	-	20	ms	1
T2	200	-	-	ms	2
T3	800	-	-	ms	3
T4	100	-	-	ms	3
T5	1.0	-	-	s	4
T6	0	-	T2	ms	5
T7	0	-	-	ms	6
T8	0	-	-	ms	

- Note :
1. Even though T1 is over the specified value, there is no problem if I2T spec of fuse is satisfied.
  2. If T2 is satisfied with specification after removing LVDS Cable, there is no problem.
  3. The T3 / T4 is recommended value, the case when failed to meet a minimum specification, abnormal display would be shown. There is no reliability problem.
  4. T5 should be measured after the Module has been fully discharged between power off and on period.
  5. If the on time of signals (Interface signal and user control signals) precedes the on time of Power ( $V_{LCD}$ ), it will be happened abnormal display. When T6 is NC status, T6 doesn't need to be measured.
  6. It is recommendation specification that T7 has to be 0ms as a minimum value.
    - ※ Please avoid floating state of interface signal at invalid period.
    - ※ When the power supply for LCD (VLCD) is off, be sure to pull down the valid and invalid data to 0V.

## Product Specification

## 3-6-2. Sequence for LED Driver

Power Supply For LED Driver



## 3-6-3. Dip condition for LED Driver

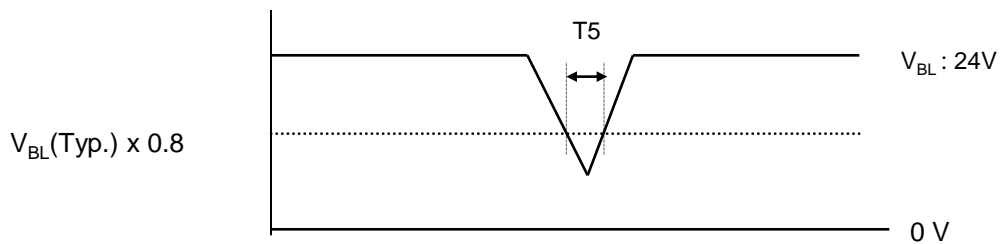


Table 10. Power Sequence for LED Driver

Parameter	Values			Units	Remarks
	Min	Typ	Max		
T1	20	-	-	ms	1
T2	500	-	-	ms	
T3	10	-	-	ms	
T4	0	-	-	ms	
T5	-	-	10	ms	$V_{BL}(Typ) \times 0.8$

notes : 1. T1 describes rising time of 0V to 24V and this parameter does not applied at restarting time. Even though T1 is over the specified value, there is no problem if I<sup>2</sup>T spec of fuse is satisfied.

## Product Specification

## 4. Optical Specification

Optical characteristics are determined after the unit has been 'ON' and stable in a dark environment at  $25\pm 2^{\circ}\text{C}$ . The values are specified at distance 50cm from the LCD surface at a viewing angle of  $\Phi$  and  $\theta$  equal to  $0^{\circ}$ .

FIG. 1 shows additional information concerning the measurement equipment and method.

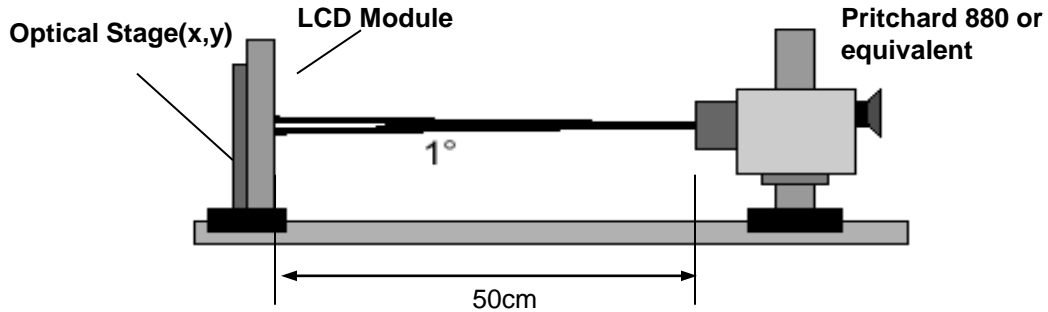


FIG. 1 Optical Characteristic Measurement Equipment and Method

$T_a = 25\pm 2^{\circ}\text{C}$ ,  $V_{\text{LCD}} = 12.0\text{V}$ ,  $f_v = 120\text{Hz}$ ,  $D_{\text{clk}} = 74.25\text{MHz}$ ,

$\text{EXTV}_{\text{BR-B}} = 100\%$

Table 11. OPTICAL CHARACTERISTICS

Parameter	Symbol	Value			Unit	notes	
		Min	Typ	Max			
Contrast Ratio	CR	900	1200	-		1	
Surface Luminance, white	$L_{\text{WH}}$	-	520	650	$\text{cd/m}^2$	2	
Luminance Variation	$\delta_{\text{WHITE}}$	9P	60	-	%	3	
Response Time	Gray-to-Gray	G to G	-	8	12	ms	4
	Uniformity	$\delta_{\text{G TO G}}$	-	-	1		4
Color Coordinates [CIE1931]	RED	Rx		0.648			
		Ry		0.332			
	GREEN	Gx		0.309			
		Gy	Typ	0.604	Typ	+0.03	
	BLUE	Bx	-0.03	0.153			
		By		0.053			
	WHITE	Wx		0.279			
	Wy		0.292				
Color Temperature			10,000		K		
Color Gamut (NTSC)			72		%		
Viewing Angle (CR>10)							
	x axis, right ( $\phi=0^{\circ}$ )	$\theta_r$ (x axis)	89	-	-	degree	5
	x axis, left ( $\phi=180^{\circ}$ )	$\theta_l$ (x axis)	89	-	-		
	y axis, up ( $\phi=90^{\circ}$ )	$\theta_u$ (y axis)	89	-	-		
	y axis, down ( $\phi=270^{\circ}$ )	$\theta_d$ (y axis)	89	-	-		
Gray Scale			-	-	-	6	

## Product Specification

notes : 1. Contrast Ratio(CR) is defined mathematically as :

$$\text{Contrast Ratio} = \frac{\text{Surface Luminance with all white pixels}}{\text{Surface Luminance with all black pixels}}$$

It is measured at center 1-point.

2. Optical Characteristics is determined after the unit has been 'ON' and 1 Hour after lighting the backlight in a dark environment at  $25 \pm 2^\circ\text{C}$ . Surface luminance is the luminance value at center 1-point across the LCD surface 50cm from the surface with all pixels displaying white. For more information see the FIG. 2

3. The variation in surface luminance,  $\delta$  WHITE is defined as :

- WHITE(9P) = Minimum (Lon1,Lon2~ Lon8, Lon9) / Maximum (Lon1,Lon2~ Lon8, Lon9)\*100  
Where Lon1 to Lon9 are the luminance with all pixels displaying white at 9 locations  
For more information, see the FIG. 2.

4. Response time is the time required for the display to transit from G(N) to G(M) (Rise Time,  $Tr_R$ ) and from G(M) to G(N) (Decay Time,  $Tr_D$ ). For additional information see the FIG. 3. (N<M)

※ G to G Spec stands for average value of all measured points.

Photo Detector : RD-80S / Field :  $2^\circ$

※. Gray to Gray Response time uniformity is Reference data. Appendix V

5. Viewing angle is the angle at which the contrast ratio is greater than 10. The angles are determined for the horizontal or x axis and the vertical or y axis with respect to the z axis which is normal to the LCD module surface. For more information, see the FIG. 5.

6. Gray scale specification

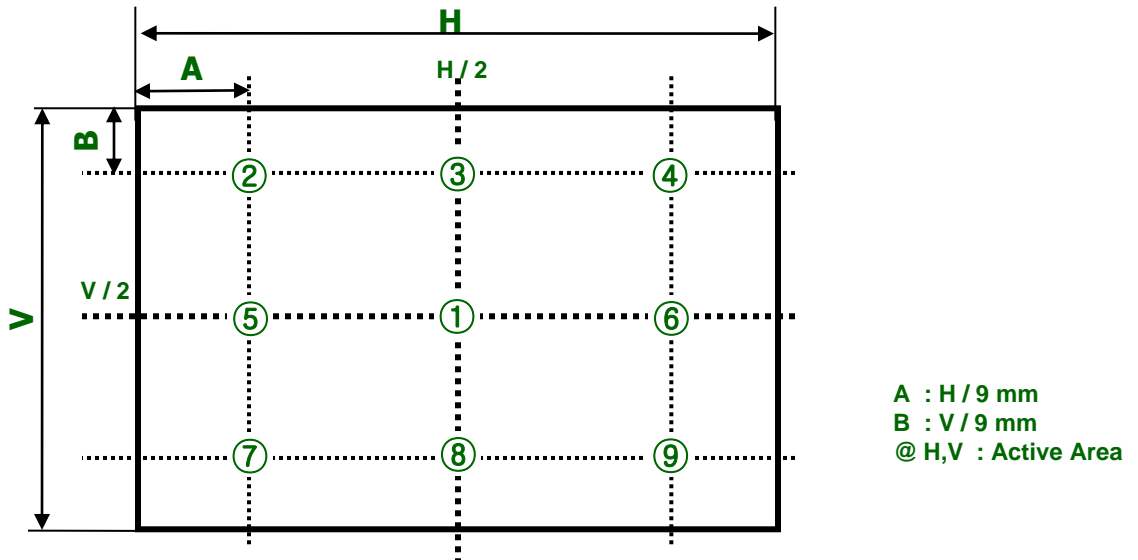
Gamma Value is approximately 2.2. For more information, see the Table 12.

**Table 12. GRAY SCALE SPECIFICATION**

Gray Level	Luminance [%] (Typ)
L0	0.083
L63	0.27
L127	1.04
L191	2.49
L255	4.68
L319	7.66
L383	11.5
L447	16.1
L511	21.6
L575	28.1
L639	35.4
L703	43.7
L767	53.0
L831	63.2
L895	74.5
L959	86.7
L1023	100

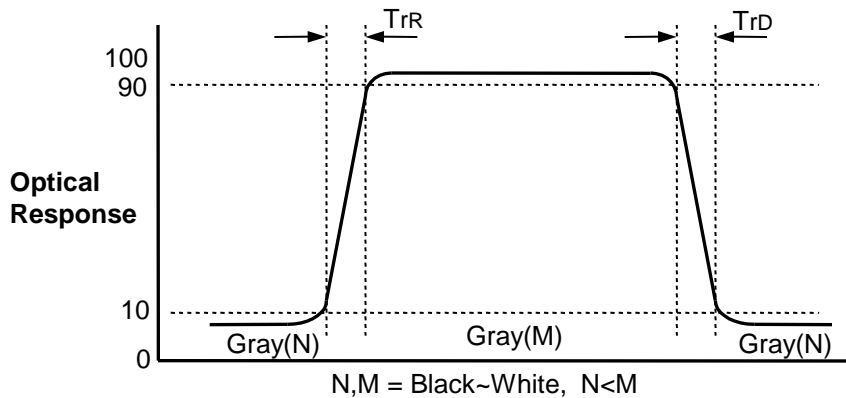
## Product Specification

Measuring point for surface luminance & measuring point for luminance variation.



**FIG. 2 9 Points for Luminance Measure**

Response time is defined as the following figure and shall be measured by switching the input signal for “Gray(N)” and “Gray(M)”.



**FIG. 3 Response Time**

## Product Specification

Dimension of viewing angle range

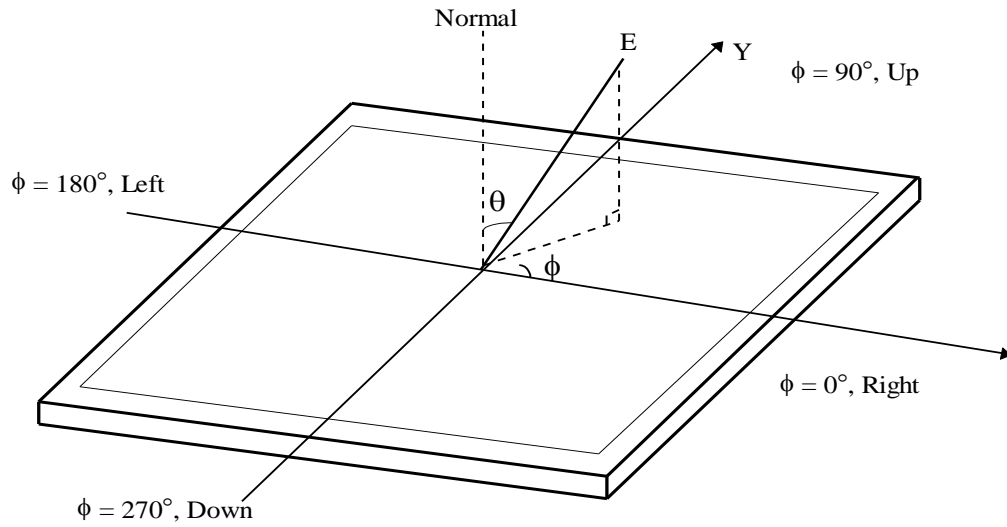


FIG. 5 Viewing Angle

## Product Specification

## 5. Mechanical Characteristics

Table 13 provides general mechanical characteristics.

**Table 13. MECHANICAL CHARACTERISTICS**

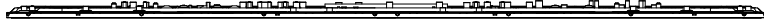
Item	Value	
Outline Dimension	Horizontal	1675.2mm
	Vertical	953.6 mm
	Depth	11.9 mm
Bezel Area	Horizontal	1651.6 mm
	Vertical	930. mm
Active Display Area	Horizontal	1649.664mm
	Vertical	927.936mm
Weight	33.1 Kg (Typ.), 36.4 Kg(Max)	

notes : Please refer to a mechanical drawing in terms of tolerance at the next page.

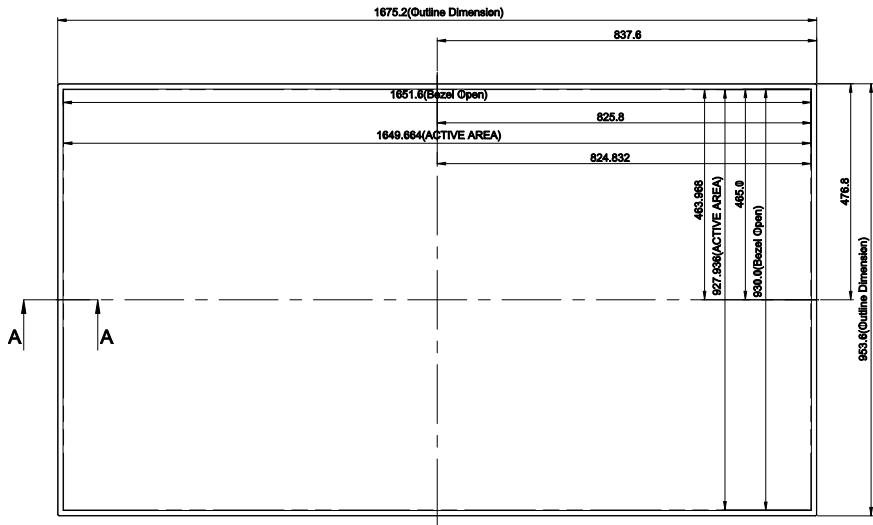


Product Specification

[ FRONT VIEW ]



SET : TOP

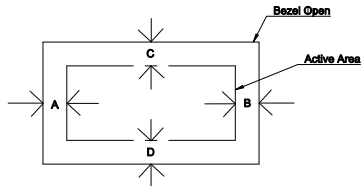


25.5°  
(Cover Shield S-PCB)

SET : DOWN



- NOTES  
 1. UNSPECIFIED TOLERANCE IS ± 1.0MM  
 2. TILT AND PARTIAL DISPOSITION TOLERANCE OF DISPLAY AREA AS FOLLOWING.  
 (1) Y-DIRECTION: | A-B | ≤ 1.5  
 (2) X-DIRECTION: | C-D | ≤ 1.5  
 3. IES.0 TAP: Max Torque 8kgf.cm  
 M4.0 TAP: Max Torque 10kgf.cm

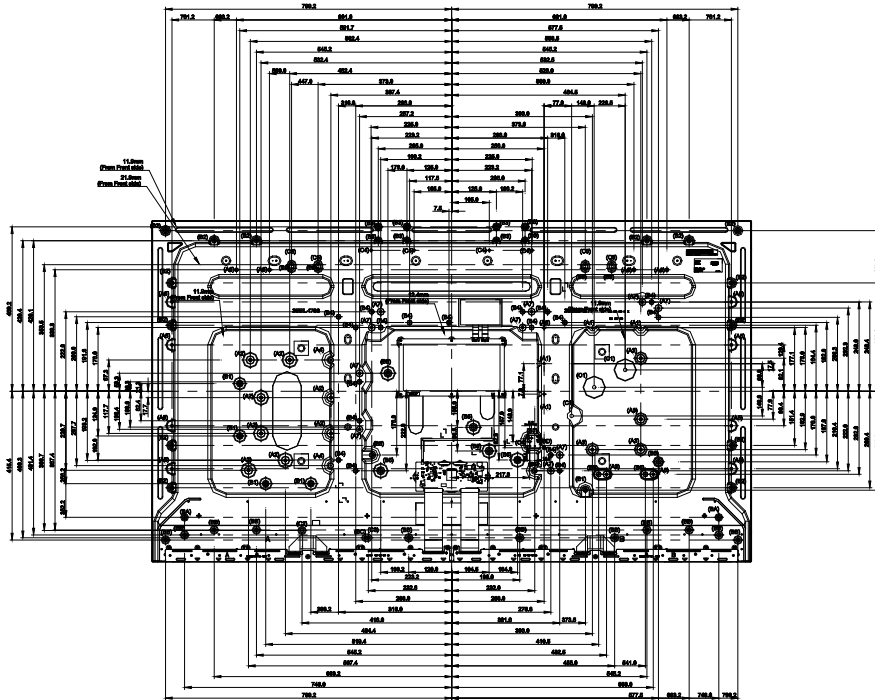


Date	Version
17.11.23	Ver 1.0
18.02.11	Ver 1.1
18.04.18	Ver 1.2

## Product Specification

[ REAR VIEW ]

SET : TOP



SET : DOWN

ITEM NO.	DESCRIPTION	TYPE	UDM Height (mm)	Max Depth (mm)	Torque (kgf.cm)
(A1)	M3	TAP	12.4	12.4	MAX 8.0
(A2)	M3	TAP	25.9	25.9	MAX 8.0
(A3)	M3	TAP	22.4	22.4	MAX 8.0
(A4)	M3	TAP	25.9(27.1)	25.9	MAX 8.0
(A5)	M3	TAP	14.8	14.8	MAX 8.0
(A6)	M3	TAP	9.9(10.9)	9.9	MAX 8.0
(A7)	M3	TAP	12.75(13.95)	12.75	MAX 8.0
(A8)	M3	TAP	14.9(16.1)	14.9	MAX 8.0
(B1)	M4	TAP	17.0	8.0	MAX 10.0
(B2)	M4	TAP	13.6	11.0	MAX 10.0
(B3)	M4	TAP	10.7	8.0	MAX 10.0
(B4)	M4	TAP	12.75	11.0	MAX 10.0
(B5)	M4	TAP	21.45	11.0	MAX 10.0
(B6)	M4	TAP	22.45	11.0	MAX 10.0
(B7)	M4	TAP	7.5	7.5	MAX 10.0
(B8)	M4	TAP	14.9	11.0	MAX 10.0
(B9)	M4	TAP	5.0	5.0	MAX 10.0
(BA)	M4	TAP	3.0	3.0	MAX 10.0
(BB)	M4	TAP	4.8	4.8	MAX 10.0
(BC)	M4	TAP	4.7	4.7	MAX 10.0
(BD)	M4	TAP	12.4(13.8)	12.4	MAX 10.0
(C1)	∅10.0	EMBO	14.5		
(C2)	∅12.0	EMBO	4.5		
(C3)	∅4.0	EMBO	1.5		
(C4)	∅5.0	EMBO	2.0		
(C5)	∅4.0	EMBO	1.2		

## Product Specification

**6. Reliability****Table 14. ENVIRONMENT TEST CONDITION**

No.	Test Item	Condition
1	High temperature storage test	Ta= 60°C 90% 240h
2	Low temperature storage test	Ta= -20°C 240h
3	High temperature operation test	Ta= 50°C 50%RH 500h
4	Low temperature operation test	Ta= 0°C 500h
5	Humidity condition Operation	Ta= 40 °C ,90%RH
6	Altitude operating storage / shipment	0 - 16,400 ft 0 - 40,000 ft

Note : 1. Before and after Reliability test, LCM should be operated with normal function.

2. These conditions are for LGD's internal test. Please refer to Absolute Maximum Ratings (Table1) for guaranteed condition.

## 7. International Standards

### 7-1. Safety

- a) UL 60065, Underwriters Laboratories Inc.  
Audio, Video and Similar Electronic Apparatus - Safety Requirements.
- b) CAN/CSA C22.2 No.60065:03, Canadian Standards Association.  
Audio, Video and Similar Electronic Apparatus - Safety Requirements.
- c) EN 60065, European Committee for Electrotechnical Standardization (CENELEC).  
Audio, Video and Similar Electronic Apparatus - Safety Requirements.
- d) IEC 60065, The International Electrotechnical Commission (IEC).  
Audio, Video and Similar Electronic Apparatus - Safety Requirements.

### 7-2. Environment

- a) RoHS, Directive 2011/65/EU of the European Parliament and of the council of 8 June 2011

## Product Specification

**8. Packing****8-1. Information of LCM Label**

a) Lot Mark

A	B	C	D	E	F	G	H	I	J	K	L	M
---	---	---	---	---	---	---	---	---	---	---	---	---

A,B,C : SIZE(INCH)  
E : MONTH

D : YEAR  
F ~ M : SERIAL NO.

Note

## 1. YEAR

Year	2011	2012	2013	2014	2015	2016	2017	2018	2019	2020
Mark	A	B	C	D	E	F	G	H	J	K

## 2. MONTH

Month	Jan	Feb	Mar	Apr	May	Jun	Jul	Aug	Sep	Oct	Nov	Dec
Mark	1	2	3	4	5	6	7	8	9	A	B	C

b) Location of Lot Mark

Serial NO. is printed on the label. The label is attached to the backside of the LCD module.  
This is subject to change without prior notice.

**8-2. Packing Form**

a) Package quantity in one Pallet : 8 pcs

b) Pallet Size : 1910 mm(W) X 760 mm(D) X 1310 mm(H)

## Product Specification

### 9. Precautions

Please pay attention to the followings when you use this TFT LCD module.

#### 9-1. Mounting Precautions

- (1) You must mount a module using specified mounting holes (Details refer to the drawings).
- (2) You should consider the mounting structure so that uneven force (ex. Twisted stress, Concentrated stress) is not applied to the module. And the case on which a module is mounted should have sufficient strength so that external force is not transmitted directly to the module.
- (3) Please attach the surface transparent protective plate to the surface in order to protect the polarizer. Transparent protective plate should have sufficient strength in order to resist external force.
- (4) You should adopt radiation structure to satisfy the temperature specification.
- (5) Acetic acid type and chlorine type materials for the cover case are not desirable because the former generates corrosive gas of attacking the polarizer at high temperature and the latter causes circuit break by electro-chemical reaction.
- (6) Do not touch, push or rub the exposed polarizers with glass, tweezers or anything harder than HB pencil lead. And please do not rub with dust clothes with chemical treatment. Do not touch the surface of polarizer for bare hand or greasy cloth. (Some cosmetics are detrimental to the polarizer.)
- (7) When the surface becomes dusty, please wipe gently with absorbent cotton or other soft materials like chamois soaks with petroleum benzine. Normal-hexane is recommended for cleaning the adhesives used to attach front / rear polarizers. Do not use acetone, toluene and alcohol because they cause chemical damage to the polarizer
- (8) Wipe off saliva or water drops as soon as possible. Their long time contact with polarizer causes deformations and color fading.
- (9) Do not open the case because inside circuits do not have sufficient strength.
- (10) Touching the LED Driver might cause an electric shock and damage to LED Driver. Please always use antistatic tools when handling the LED Driver

#### 9-2. Operating Precautions

- (1) Response time depends on the temperature. (In lower temperature, it becomes longer.)
- (2) Brightness depends on the temperature. (In lower temperature, it becomes lower.)  
And in lower temperature, response time (required time that brightness is stable after turned on) becomes longer
- (3) Be careful for condensation at sudden temperature change. Condensation makes damage to polarizer or electrical contacted parts. And after fading condensation, smear or spot will occur.
- (4) When fixed patterns are displayed for a long time, remnant image is likely to occur.
- (5) Module has high frequency circuits. Sufficient suppression to the electromagnetic interference shall be done by system manufacturers. Grounding and shielding methods may be important to minimize the interference.
- (6) Please do not give any mechanical and/or acoustical impact to LCM. Otherwise, LCM can't be operated its full characteristics perfectly.
- (7) A screw which is fastened up the steels should be a machine screw.  
(if not, it can cause conductive particles and deal LCM a fatal blow)
- (8) Please do not set LCD on its edge.
- (9) The conductive material and signal cables are kept away from LED driver inductor to prevent abnormal display, sound noise and temperature rising.

### 9-3. Electrostatic Discharge Control

Since a module is composed of electronic circuits, it is not strong to electrostatic discharge. Make certain that treatment persons are connected to ground through wrist band etc. And don't touch interface pin directly.

### 9-4. Precautions for Strong Light Exposure

Strong light exposure causes degradation of polarizer and color filter.

### 9-5. Storage

When storing modules as spares for a long time, the following precautions are necessary.

- (1) Store them in a dark place. Do not expose the module to sunlight or fluorescent light. Keep the temperature between 5°C and 35°C at normal humidity.
- (2) The polarizer surface should not come in contact with any other object.  
It is recommended that they be stored in the container in which they were shipped.
- (3) Storage condition is guaranteed under packing conditions.
- (4) The phase transition of Liquid Crystal in the condition of the low or high storage temperature will be recovered when the LCD module returns to the normal condition.

### 9-6. Handling Precautions for Protection Film

- (1) The protection film is attached to the bezel with a small masking tape.  
When the protection film is peeled off, static electricity is generated between the film and polarizer.  
This should be peeled off slowly and carefully by people who are electrically grounded and with well ion-blown equipment or in such a condition, etc.
- (2) When the module with protection film attached is stored for a long time, sometimes there remains a very small amount of glue still on the bezel after the protection film is peeled off.
- (3) You can remove the glue easily. When the glue remains on the bezel surface or its vestige is recognized, please wipe them off with absorbent cotton waste or other soft material like chamois soaked with normal-hexane.

## 9-7. Appropriate Condition for Commercial Display

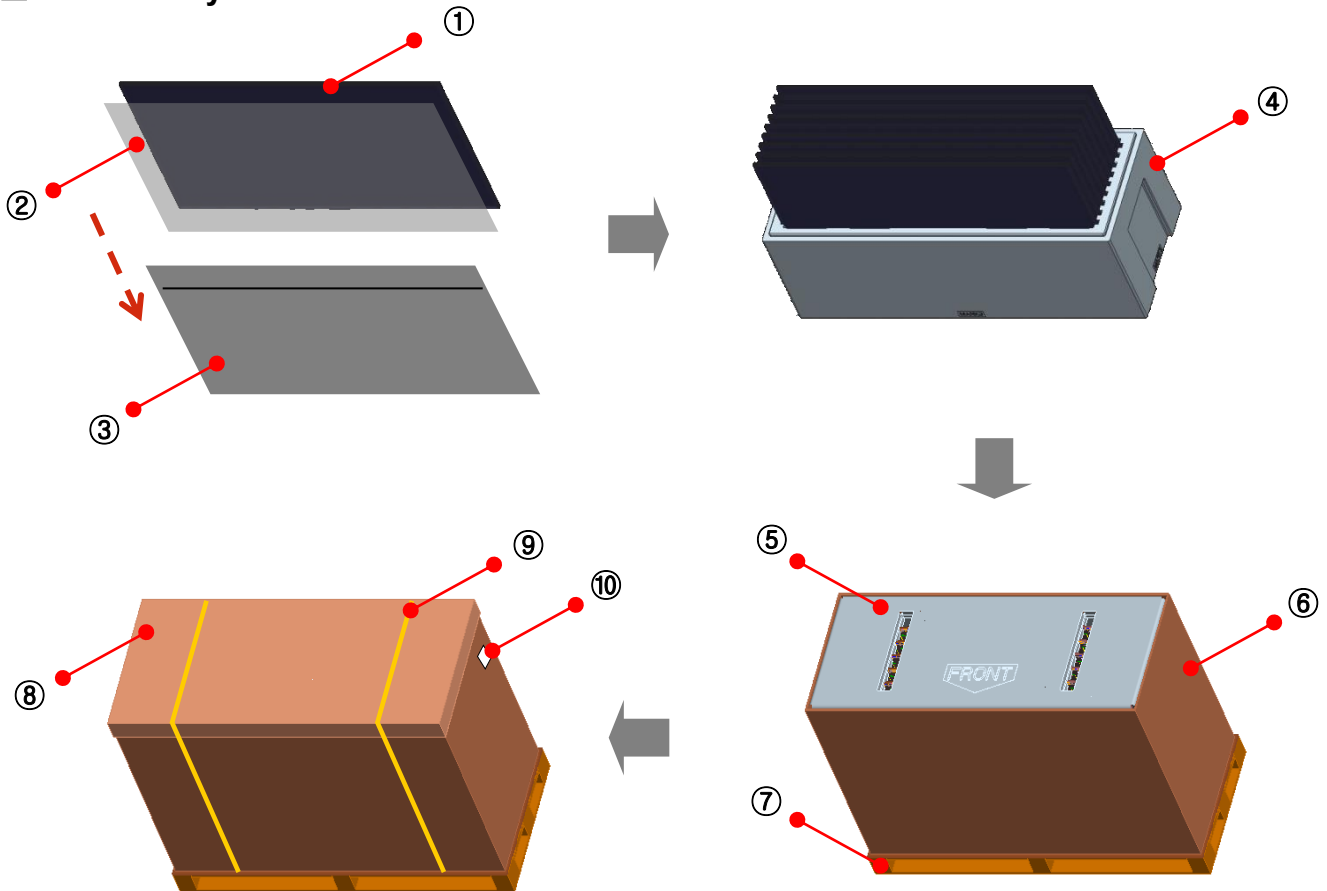
- Generally large-sized LCD modules are designed for consumer applications (TV). Accordingly, a long-term display like in Commercial Display application, can cause uneven display including image sticking. To optimize module's lifetime and function, several operating usages are required.
  - 1. Normal operating condition
    - Temperature: 0 ~ 40°C
    - Operating Ambient Humidity : 10 ~ 90 %
    - Display pattern: dynamic pattern (Real display)
    - Note) Long-term static display can cause image sticking.
  - 2. Operating usages under abnormal condition
    - a. Ambient condition
      - Well-ventilated place is recommended to set up Commercial Display system.
    - b. Power and screen save
      - Periodical power-off or screen save is needed after long-term display.
  - 3. Operating usages to protect against image sticking due to long-term static display
    - a. Suitable operating time: under 24 hours a day.
    - b. Static information display recommended to use with moving image.
      - Cycling display between 5 minutes' information(static) display and 10 seconds' moving image.
    - c. Background and character (image) color change
      - Use different colors for background and character, respectively.
      - Change colors themselves periodically.
    - d. Avoid combination of background and character with large different luminance.
  - 1) Abnormal condition just means conditions except normal condition.
  - 2) Black image or moving image is strongly recommended as a screen save.
4. Lifetime in this spec. is guaranteed only when Commercial Display is used according to operating usages.
5. Module should be turned clockwise based on front view when used in portrait mode.



## Product Specification

## # APPENDIX-I

## ■ Pallet Ass'y

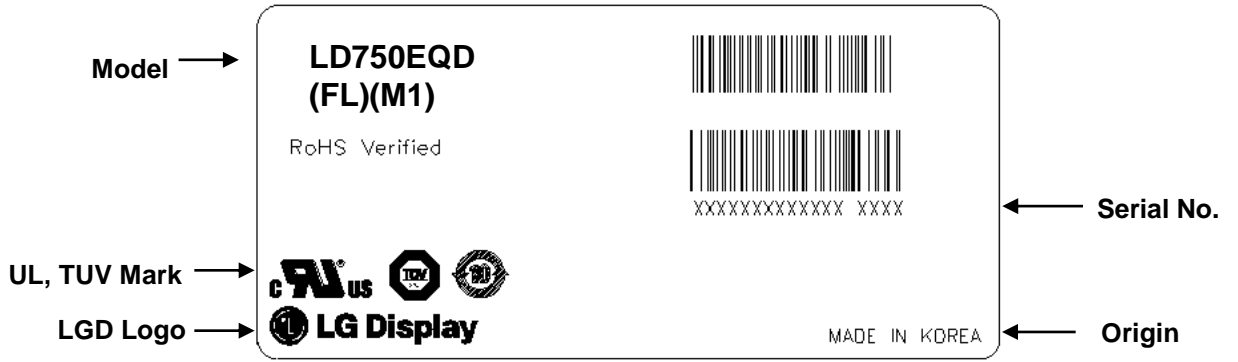


No.	Description	Material
1	LCM	-
2	Protect Film	PET
3	Bag	Al
4	Bottom Packing	EPS
5	Top Packing	EPS
6	Angle Packing	Paper
7	Pallet	Plywood
8	Angle Cover	Paper
9	Band	PP
10	Label	Yupo Paper 100x70

Product Specification

# APPENDIX- II-1

■ LCM Label



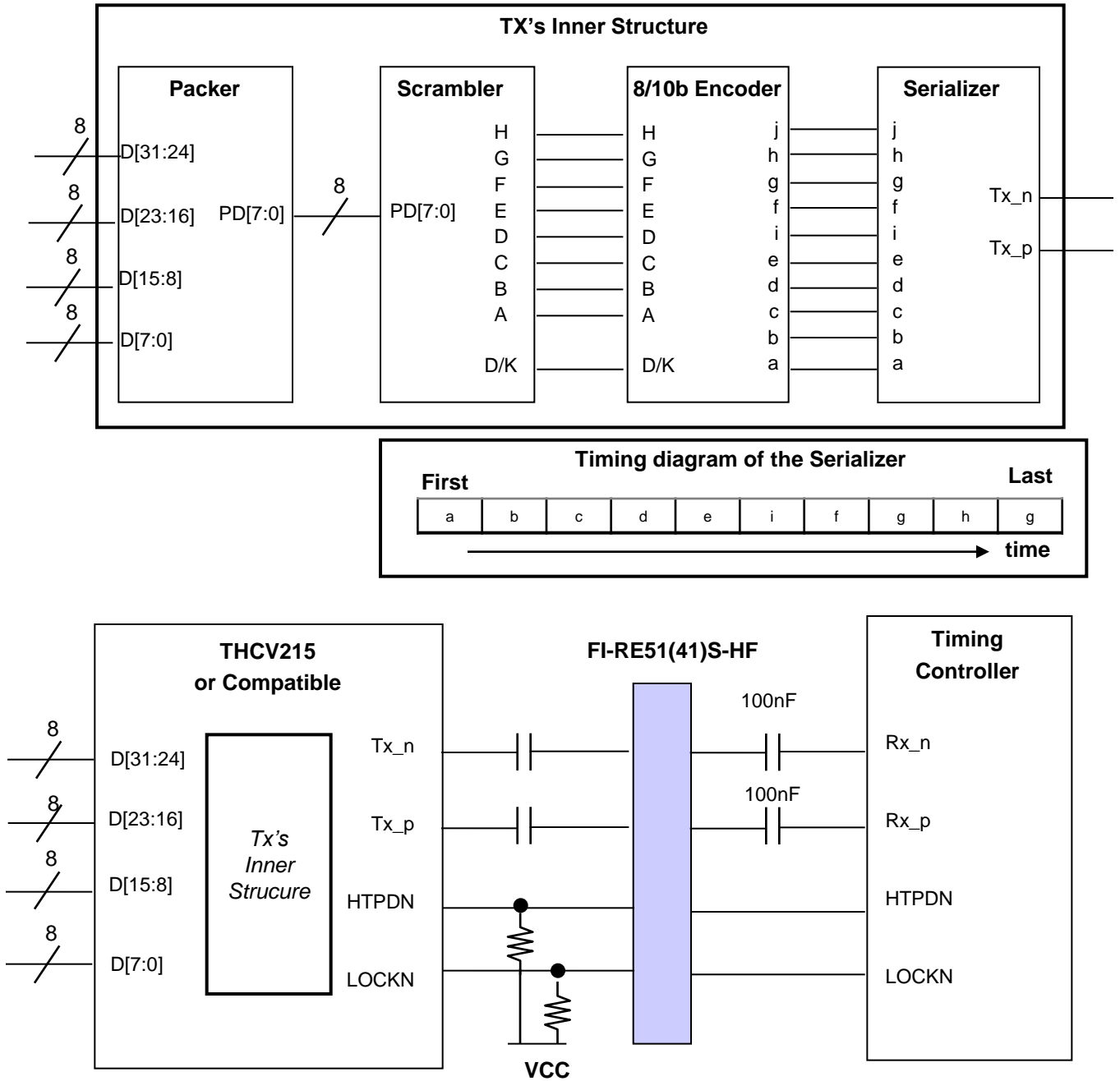
Product Specification

# APPENDIX- II-2



## # APPENDIX- III

## ■ Required signal assignment for Flat Link (Thine : THCV215) Transmitter

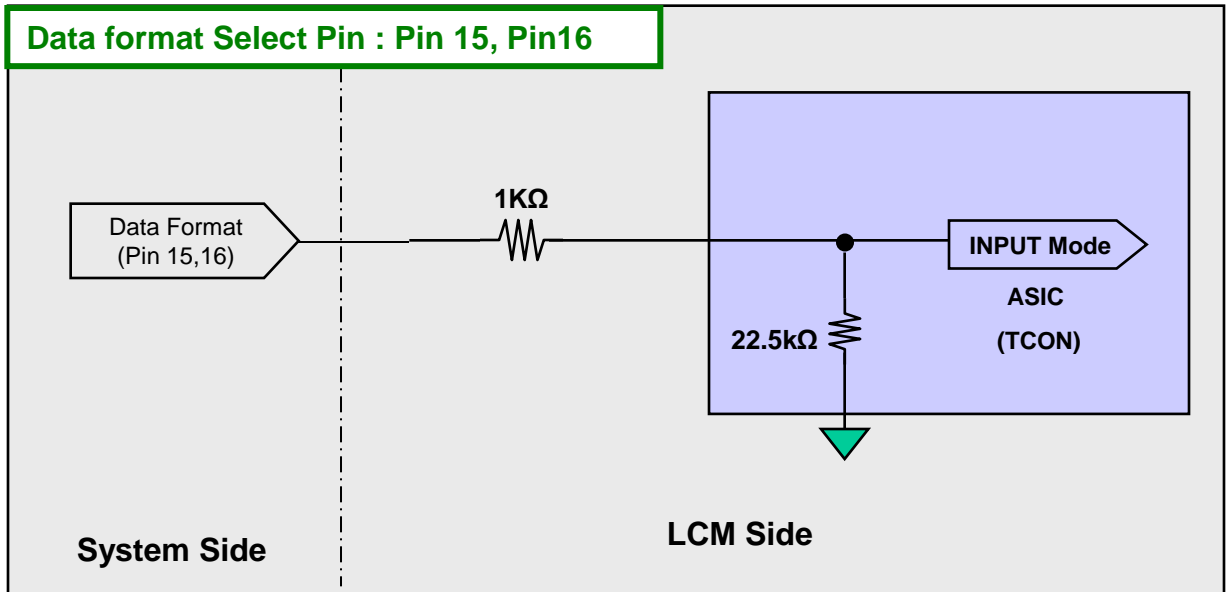


- notes: 1. The LCD module uses a 100 nF capacitor on positive and negative lines of each receiver input.  
 2. Refer to Vx1 Transmitter Data Sheet for detail descriptions. (THCV215 or Compatible)  
 3. About Module connector pin configuration, Please refer to the Page 8~9.

## # APPENDIX- IV-1

## ■ Option Pin Circuit Block Diagram

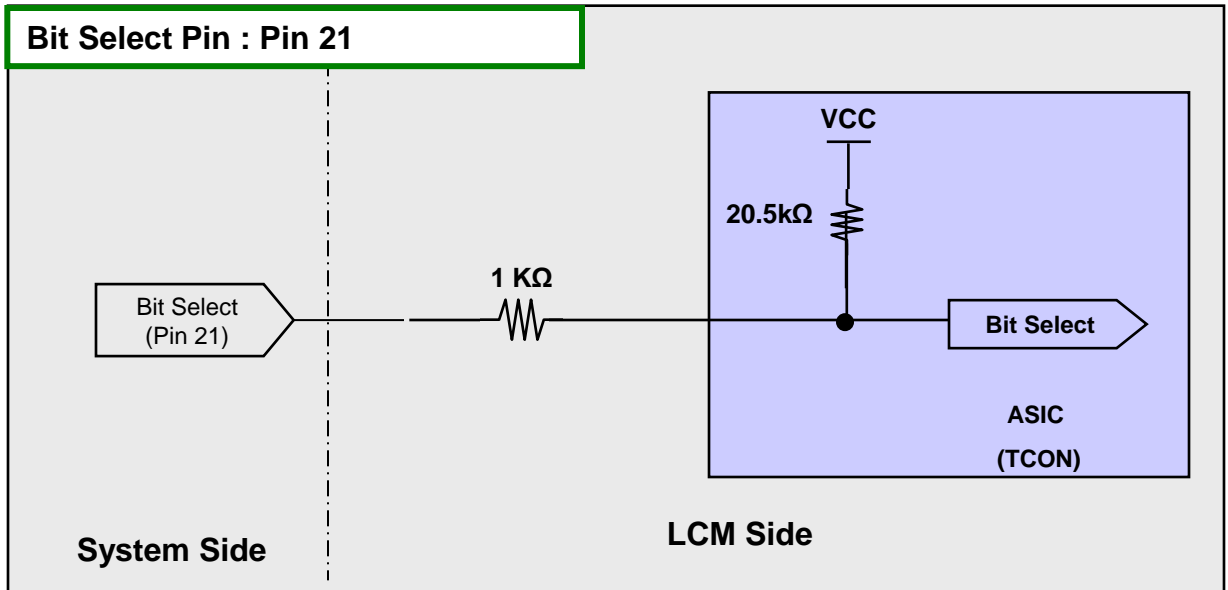
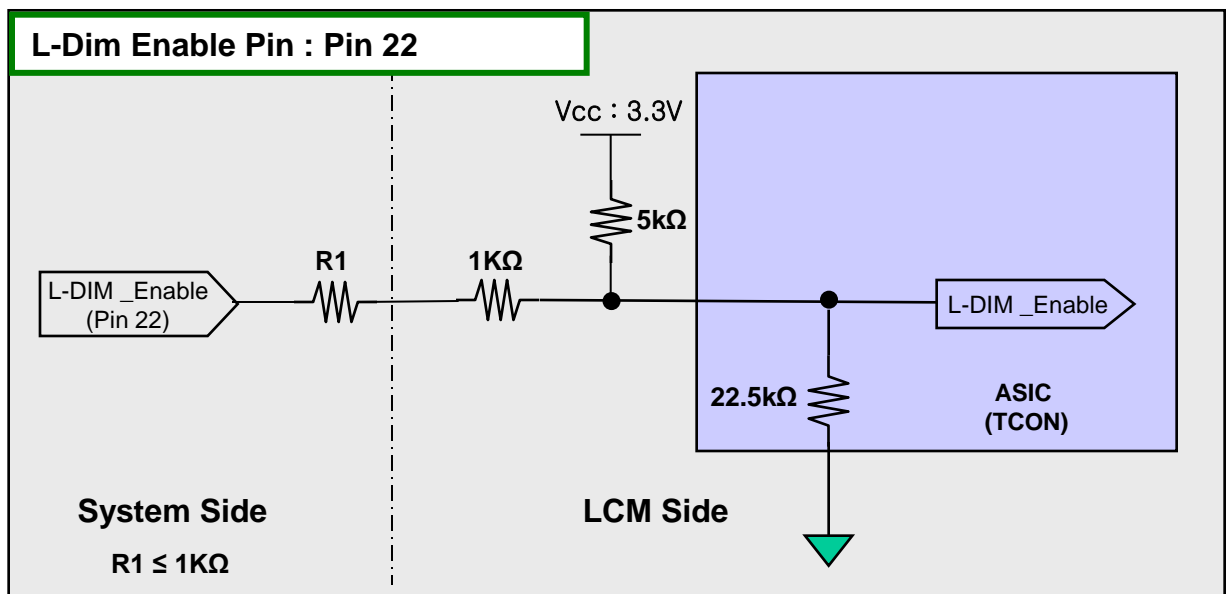
1) Circuit Block Diagram of Data format Selection pin



## # APPENDIX- IV-3

## ■ Option Pin Circuit Block Diagram

2) Circuit Block Diagram of Bit Selection pin

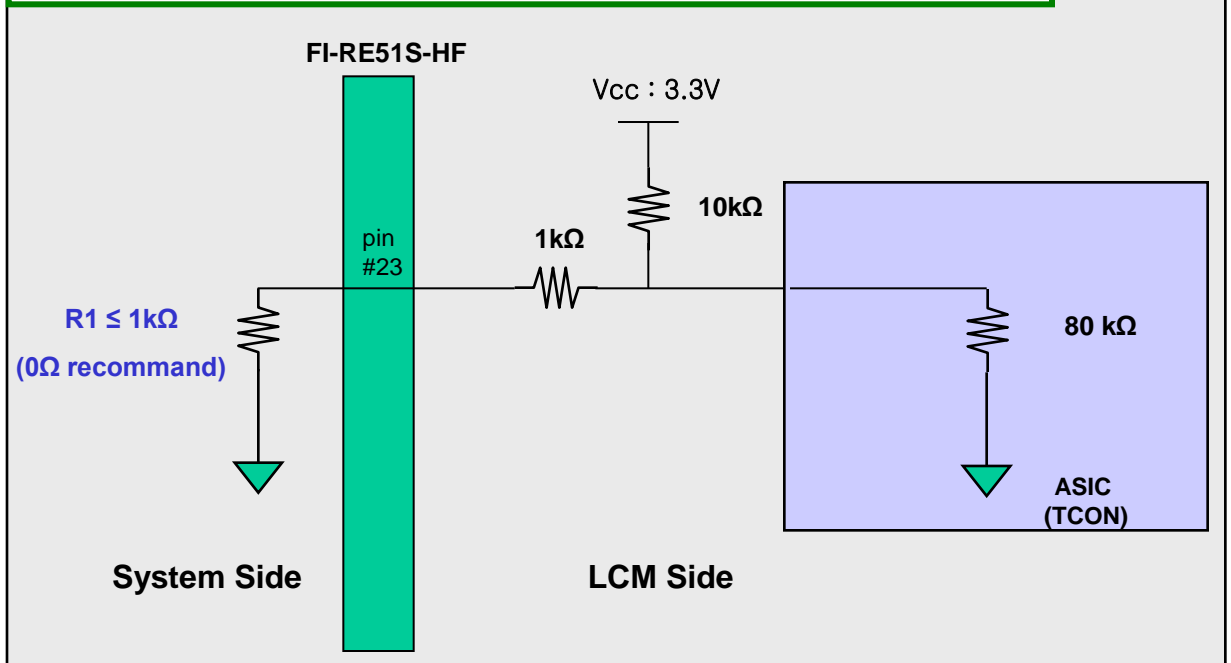
3) Circuit Block Diagram of L-Dim **Enable** Selection pin

## # APPENDIX- IV-4

## ■ Option Pin Circuit Block Diagram

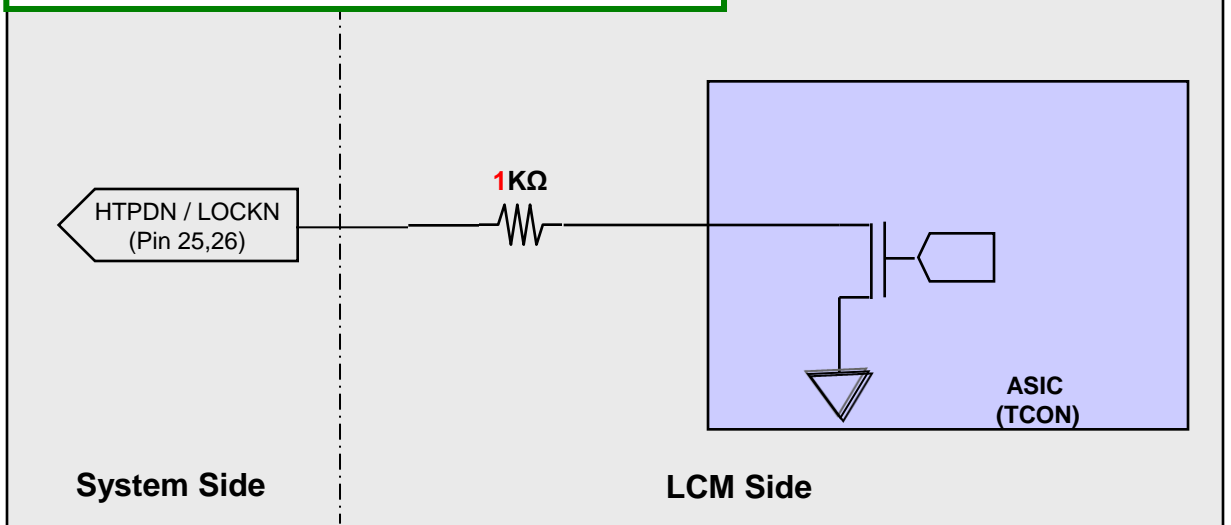
## 4) Circuit Block Diagram of AGP Selection pin

## AGP(auto Generation Pattern ) or NSB (no signal black) : Pin 23



## 5) Circuit Block Diagram of HTPDN/ LOCKN Selection pin

## HTPDN/LOCKN Pin : Pin 25, Pin26



## Product Specification

## # APPENDIX- V

**Gray to Gray Response Time Uniformity**

This is only the reference data of G to G and uniformity for LD750EQD-FLM1 model.

## 1. G to G Response Time :

Response time is defined as Figure3 and shall be measured by switching the input signal for "Gray (N) " and "Gray(M)".(32Gray Step at 8bit)

## 2. G to G Uniformity

The variation of G to G Uniformity ,  $\delta_{G \text{ to } G}$  is defined as :

$$G \text{ to } G \text{ Uniformity} = \frac{\text{Maximum}(G \text{ to } G) - \text{Typical}(G \text{ to } G)}{\text{Typical}(G \text{ to } G)} \leq 1$$

\*Maximum (G to G) means maximum value of measured time (N, M = 0 (Black) ~ 1023(White), 128 gray step).

	0Gray	127ray	255Gray	...	895Gray	1023Gray
0Gray		TrR:0G→127G	TrR:0G→255G	...	TrR:0G→895G	TrR:0G→1023G
127Gray	TrD:127G→0G		TrR:127G→255G	...	TrR:127G→895G	TrR:127G→1023G
255Gray	TrD:255G→0G	TrD:255G→127G		...	TrR:255G→895G	TrR:255G→1023G
...	...	...	...	...	...	...
895Gray	TrD:895G→0G	TrD:895G→127G	TrD:895G→255G	...		TrR:895G→1023G
1023Gray	TrD:1023G→0G	TrD:1023G→127G	TrD:1023G→255G	...	TrD:1023G→895G	

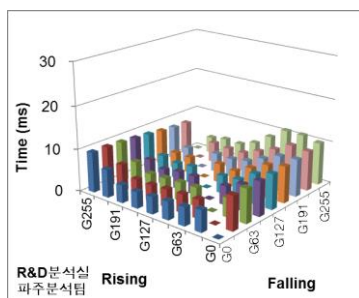
## 3. Sampling Size : 2 pcs

4. Measurement Method : Follow the same rule as optical characteristics measurement.

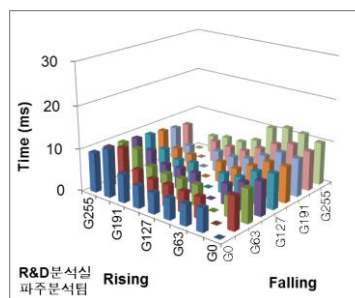
## 5. Current Status

Below table is actual data of production on Oct. 23. 2015 ( LGD RV Event Sample)

	G to G Response Time [ms]		Uniformity
	Min.	Max.	
# 1	3.6	10.9	0.81
# 2	4.3	11.5	0.91



&lt; # 1 &gt;



&lt; # 2 &gt;



## Product Specification

## # APPENDIX- VI-1

## ■ input mode of pixel data

Mode 1 : Non-Division				Mode 2 : 2 Division			
1st Data	2nd Data	Data #		1st Data	2nd Data	Data #	
Lane00	1	17	3825	Lane00	1	9	1913
Lane01	2	18	3826	Lane01	2	10	1914
Lane02	3	19	3827	Lane02	3	11	1915
Lane03	4	20	3828	Lane03	4	12	1916
Lane04	5	21	3829	Lane04	5	13	1917
Lane05	6	22	3830	Lane05	6	14	1918
Lane06	7	23	3831	Lane06	7	15	1919
Lane07	8	24	3832	Lane07	8	16	1920
1st Data	2nd Data	Data #		1st Data	2nd Data	Data #	
Lane08	9	25	3833	Lane08	1921	1929	3833
Lane09	10	26	3834	Lane09	1922	1930	3834
Lane10	11	27	3835	Lane10	1923	1931	3835
Lane11	12	28	3836	Lane11	1924	1932	3836
Lane12	13	29	3837	Lane12	1925	1933	3837
Lane13	14	30	3838	Lane13	1926	1934	3838
Lane14	15	31	3839	Lane14	1927	1935	3839
Lane15	16	32	3840	Lane15	1928	1936	3840

## Product Specification

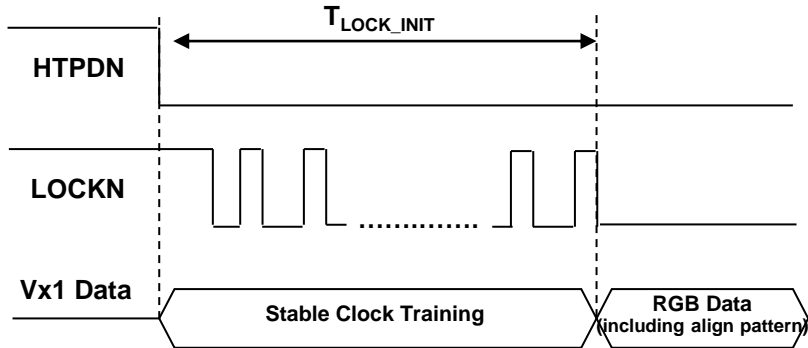
## # APPENDIX- VI-2

## ■ input mode of pixel data

Mode 3 : 4 Division				Mode 4 : 8 Division			
1st Data	2nd Data	Data #		1st Data	2nd Data	Data #	
Lane00	1	5	957	Lane00	1	3	479
Lane01	2	6	958	Lane01	2	4	480
Lane02	3	7	959	Lane02	481	483	959
Lane03	4	8	960	Lane03	482	484	960
Lane04	961	965	1917	Lane04	961	963	1439
Lane05	962	966	1918	Lane05	962	964	1440
Lane06	963	967	1919	Lane06	1441	1443	1919
Lane07	964	968	1920	Lane07	1442	1444	1920
1st Data	2nd Data	Data #		1st Data	2nd Data	Data #	
Lane08	1921	1925	2877	Lane08	1921	1923	2399
Lane09	1922	1926	2878	Lane09	1922	1924	2400
Lane10	1923	1927	2879	Lane10	2401	2403	2879
Lane11	1924	1928	2880	Lane11	2402	2404	2880
Lane12	2881	2885	3837	Lane12	2881	2883	3359
Lane13	2882	2886	3838	Lane13	2882	2884	3360
Lane14	2883	2887	3839	Lane14	3361	3363	3839
Lane15	2884	2888	3840	Lane15	3362	3364	3840

## # APPENDIX- VII-1

## ■ Vx1 Initialization Characteristics

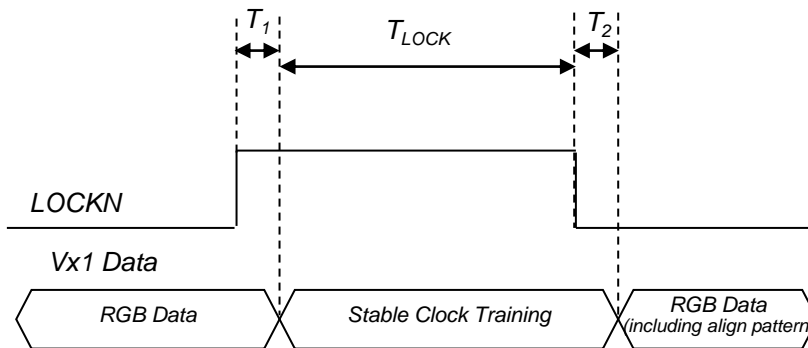


## 1). UHD120Hz T-Con

Characteristics	Symbol	Min	Typ	Max	Unit
Initial CDR lock time (From Stable CDR training to CDR lock)	$T_{\text{LOCK\_INIT}}$	0		<b>310</b>	ms

## # APPENDIX- VII-2

## ■ Vx1 Lock Timing In Normal Operation



Characteristics	Symbol	Min	Typ	Max	Unit
CDR lock time from stable clock training pattern to LOCKN "Low" in normal operation	$T_{LOCK}$			2	ms
Latency from LOCKN "High" to clock training pattern	$T_1$			100	us
Latency from clock "Low" to normal RGB Data	$T_2$			100	us

※ Vx1 Rx should get clock training pattern in  $T_1$

※ Vx1 Rx should get RGB Data (including align pattern) in  $T_2$

Our company network supports you worldwide with offices in Germany, Austria, Switzerland, the UK and the USA. For more information please contact:

## Headquarters

### Germany



#### FORTEC Elektronik AG

Augsburger Str. 2b  
82110 Germering

Phone: +49 89 894450-0  
E-Mail: [info@forteca.de](mailto:info@forteca.de)  
Internet: [www.forteca.de](http://www.forteca.de)

## Fortec Group Members

### Austria



#### Distec GmbH Office Vienna

Nuschinggasse 12  
1230 Wien

Phone: +43 1 8673492-0  
E-Mail: [info@distec.de](mailto:info@distec.de)  
Internet: [www.distec.de](http://www.distec.de)

### Germany



#### Distec GmbH

Augsburger Str. 2b  
82110 Germering

Phone: +49 89 894363-0  
E-Mail: [info@distec.de](mailto:info@distec.de)  
Internet: [www.distec.de](http://www.distec.de)

### Switzerland



#### ALTRAC AG

Bahnhofstraße 3  
5436 Würenlos

Phone: +41 44 7446111  
E-Mail: [info@altrac.ch](mailto:info@altrac.ch)  
Internet: [www.altrac.ch](http://www.altrac.ch)

### United Kingdom



#### Display Technology Ltd.

Osprey House, 1 Osprey Court  
Hichingbrooke Business Park  
Huntingdon, Cambridgeshire, PE29 6FN

Phone: +44 1480 411600  
E-Mail: [info@displaytechnology.co.uk](mailto:info@displaytechnology.co.uk)  
Internet: [www.displaytechnology.co.uk](http://www.displaytechnology.co.uk)

### USA



#### Apollo Display Technologies, Corp.

87 Raynor Avenue,  
Unit 1 Ronkonkoma,  
NY 11779

Phone: +1 631 5804360  
E-Mail: [info@apolloDisplays.com](mailto:info@apolloDisplays.com)  
Internet: [www.apolloDisplays.com](http://www.apolloDisplays.com)