



OUR GLOBAL
COMPETENCE
CENTRES

 APOLLO DISPLAY
TECHNOLOGIES



 DISTEC



 DISPLAY
TECHNOLOGY



Datasheet

InnoLux

S231AJ1-LE1

CH-01-061

- Tentative Specification
- Preliminary Specification
- Approval Specification

MODEL NO.: S231AJ1

SUFFIX: LE1

Revision : C2	
Customer :	
APPROVED BY	SIGNATURE
<u>Name / Title</u> _____	
Note	

Please return 1 copy for your confirmation with your signature and comments.	

Approved By	Checked By	Prepared By
Chihfan- Ting	Carlos Lee	John Hsieh

CONTENTS

CONTENTS.....	2
1. GENERAL DESCRIPTION	5
1.1 OVERVIEW	5
1.2 FEATURES	5
1.3 GENERAL SPECIFICATIONS	5
1.4 MECHANICAL SPECIFICATIONS	7
2. ABSOLUTE MAXIMUM RATINGS	8
2.1 ABSOLUTE RATINGS OF ENVIRONMENT	8
2.2 PACKAGE STORAGE.....	9
2.3 ELECTRICAL ABSOLUTE RATINGS.....	9
2.3.1 TFT LCD MODULE.....	9
3. ELECTRICAL CHARACTERISTICS.....	10
3.1 TFT LCD MODULE.....	10
3.2 BACKLIGHT CONVERTER UNIT	12
3.2.1 CONVERTER CHARACTERISTICS	12
3.2.2 CONVERTER INTERFACE CHARACTERISTICS	13
4. INTERFACE PIN CONNECTION	15
4.1 TFT LCD MODULE.....	15
4.2 LVDS INTERFACE.....	17
4.3 COLOR DATA INPUT ASSIGNMENT.....	18
5. INTERFACE TIMING.....	19
5.1 INPUT SIGNAL TIMING SPECIFICATIONS.....	19
5.2 POWER ON/OFF SEQUENCE	22
6. OPTICAL CHARACTERISTICS.....	23
6.1 TEST CONDITIONS.....	23
6.2 OPTICAL SPECIFICATIONS.....	24
7. PRECAUTIONS.....	27
7.1 ASSEMBLY AND HANDLING PRECAUTIONS	27
7.2 SAFETY PRECAUTIONS	28
7.3 SAFETY STANDARDS.....	29
8. DEFINITION OF LABELS.....	30
8.1 MODULE LABEL.....	30

8.2 CARTON LABEL31

9. PACKAGING..... 32

 9.1 PACKAGING SPECIFICATIONS 32

 9.2 PACKAGING METHOD..... 32

 9.3 UN-PACKAGING METHOD..... 33

10. MECHANICAL CHARACTERISTIC 34

REVISION HISTORY

Version	Date	Page(New)	Section	Description
1.0	2018/07/16	All		The preliminary spec was first issued
2.0	2018/10/05	5 12 24	1.2 3.2 6.2	Update FEATURES Update CONVERTER CHARACTERISTICS Update OPTICAL SPECIFICATIONS
3.0	2018/10/05	All		The Final Spec was first issued
4.0	2018/11/20	12	3.2	Update CONVERTER CHARACTERISTICS
5.0	2019/01/20	34	10	Update Mechanical characteristic
5.0	2019/04/02	5	1.3	General Specifications update

1. GENERAL DESCRIPTION

1.1 OVERVIEW

S231AJ1-LE1 is a 23.1" TFT Liquid Crystal Display PID module with LED Backlight unit and 1ch-LVDS interface. This module supports 1920 x 158 HDTV format and can display 16.7M colors (8-bit). The converter module for backlight is built-in.

1.2 FEATURES

- High brightness 400 nits
- High contrast ratio (3000:1)
- Fast response time Gray to gray average (9.5) ms
- High color saturation NTSC 72%
- Full HDTV (158x 1920 pixels) resolution, true HDTV format
- DE (Data Enable) only mode
- LVDS (Low Voltage Differential Signaling) interface
- Optimized response time for 60Hz frame rate
- Ultra wide viewing angle : Super MVA technology
- Viewing Angle : 178(H)/178(V) (CR ≥ 10) VA Technology
- RoHs compliance
- T-con input frame rate: 60Hz, output frame rate: 60Hz

1.3 GENERAL SPECIFICATIONS

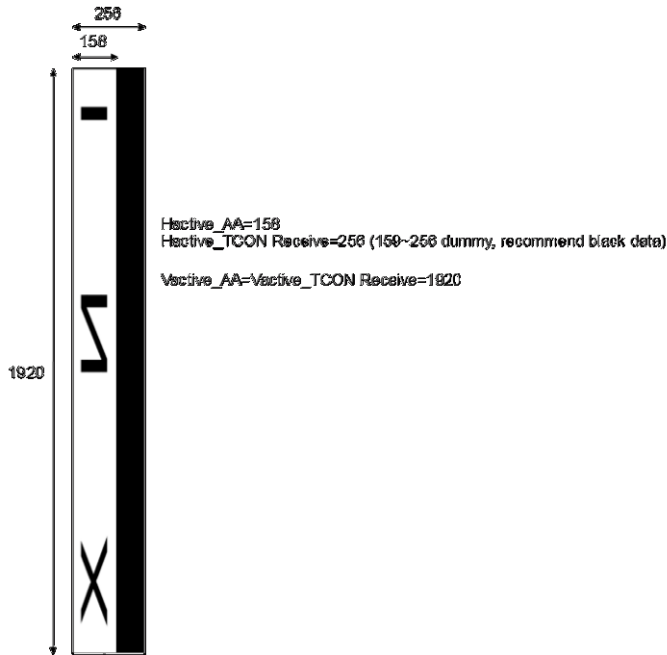
Item	Specification	Unit	Note
Active Area	585.6(Length) * 48.19(Width)	mm	(1)
Bezel Opening Area	587.6(Length) * 50(Width)	mm	
Driver Element	a-si TFT active matrix	-	-
Pixel Number	158 x R.G.B. x 1920	pixel	-
Pixel Pitch (Sub Pixel)	0.10167 (H) x 0.305(V)	mm	-
Pixel Arrangement	RGB vertical stripe	-	-
Display Colors	16.7M colors (8-bit).	color	-
Display Operation Mode	Transmissive mode / Normally black	-	-
Surface Treatment	AG coating (Haze 40%)	-	(2)
Rotation Function	Unachievable		(3)
Display Orientation	Signal input are as follows		(3)

Note (1) Please refer to the attached drawings in chapter 9 for more information about the front and back outlines.

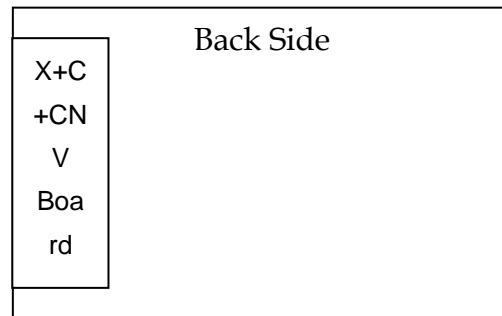
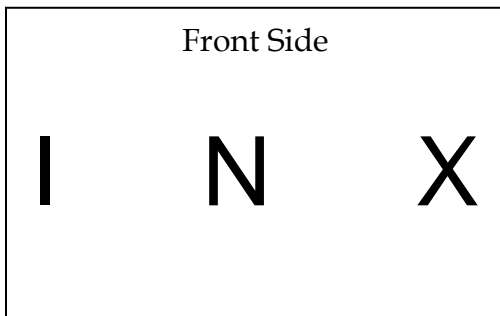
Note (2) The spec. of the surface treatment is temporarily for this phase. INX reserves the rights to change this feature.

Note (3)

LVDS signal input :



Display :



1.4 MECHANICAL SPECIFICATIONS

Item		Min.	Typ.	Max.	Unit	Note
Module Size	Horizontal (H)	596.4	597.4	598.4	mm	(1)
	Vertical (V)	59.4	60.4	61.4	mm	(1)
	Depth (D)	6.2	7.2	8.2	mm	(2)
	Depth (D)	13.5	14.5	15.5	mm	(3)
Weight			435		g	

Note (1) Please refer to the attached drawings for more information of front and back outline dimensions.

Note (2) Module Depth is between bezel to rear.

Note (3) Module Depth is between bezel to Converter cover

2. ABSOLUTE MAXIMUM RATINGS

2.1 ABSOLUTE RATINGS OF ENVIRONMENT

Item	Symbol	Value		Unit	Note
		Min.	Max.		
Storage Temperature	TST	-20	+60	°C	(1)
Operating Ambient Temperature	TOP	0	45	°C	(1), (2)
Shock (Non-Operating)	SNOP	-	50	G	(3), (5)
Vibration (Non-Operating)	VNOP	-	1.0	G	(4), (5)

Note (1) Temperature and relative humidity range is shown in the figure below.

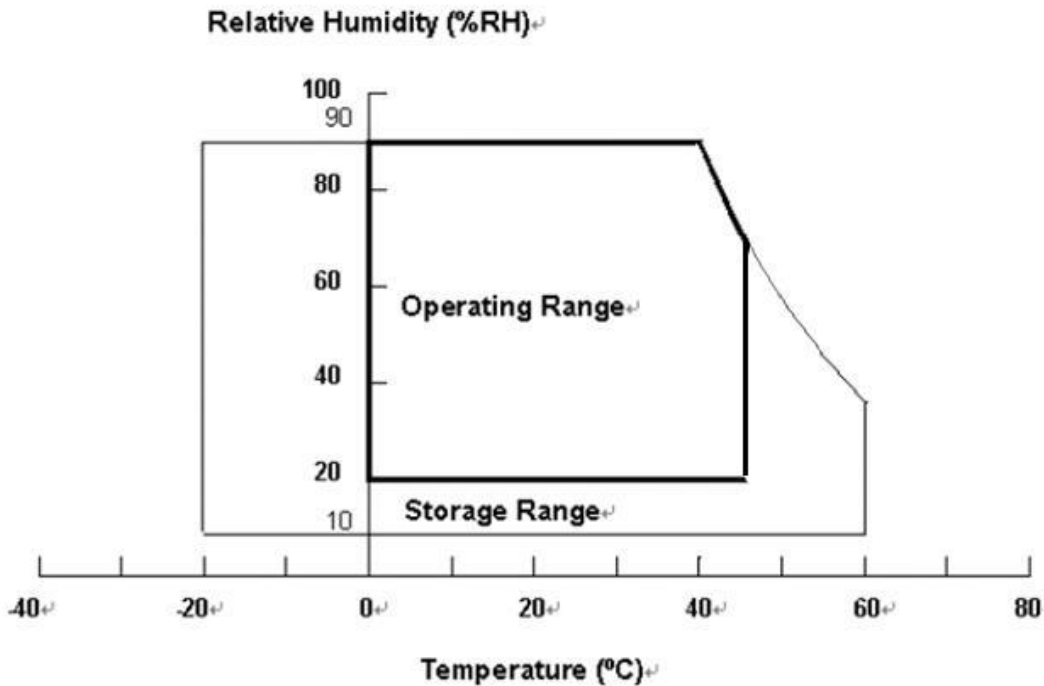
- (a) 90 %RH Max.
- (b) Wet-bulb temperature should be 39 °C Max.
- (c) No condensation.

Note (2) Thermal management should be considered in final product design to prevent the surface temperature of display area from being over 65 °C. The range of operating temperature may degrade in case of improper thermal management in final product design.

Note (3) 11 ms, half sine wave, 1 time for ± X, ± Y, ± Z.

Note (4) 10 ~ 200 Hz, 30 min, 1 time each X, Y, Z.

Note (5) At testing Vibration and Shock, the fixture in holding the module has to be hard and rigid enough so that the module would not be twisted or bent by the fixture.



2.2 PACKAGE STORAGE

When storing modules as spares for a long time, the following precaution is necessary.

- (a) Do not leave the module in high temperature, and high humidity for a long time, It is highly recommended to store the module with temperature from 0 to 35 °C at normal humidity without condensation.
- (b) The module shall be stored in dark place. Do not store the TFT-LCD module in direct sunlight or fluorescent light.

2.3 ELECTRICAL ABSOLUTE RATINGS

2.3.1 TFT LCD MODULE

Item	Symbol	Value		Unit	Note
		Min.	Max.		
Power Supply Voltage	VCC	-0.3	13.5	V	(1)
Logic Input Voltage	VIN	-0.3	3.6	V	

Note (1) Permanent damage to the device may occur if maximum values are exceeded. Function operation should be restricted to the conditions described under Normal Operating Conditions

3. ELECTRICAL CHARACTERISTICS

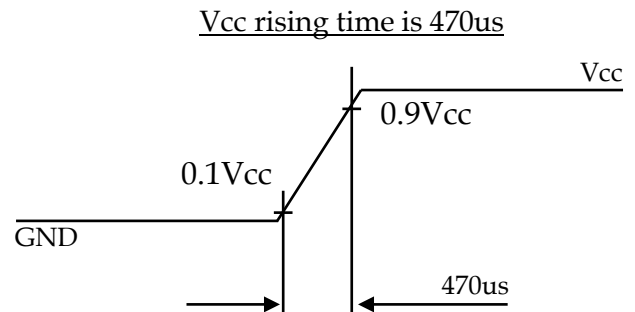
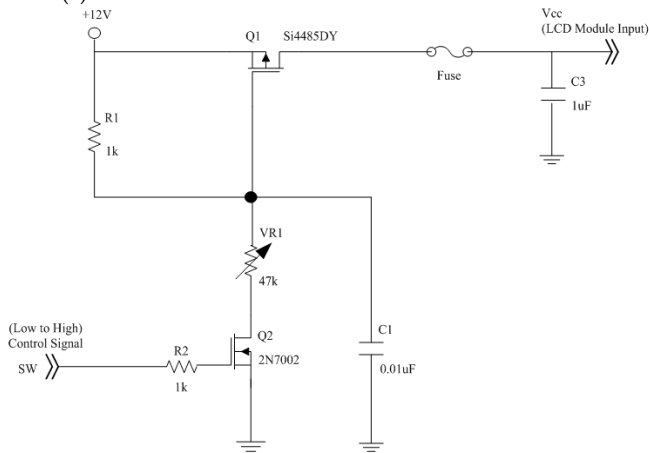
3.1 TFT LCD MODULE

(Ta = 25 ± 2 °C)

Parameter		Symbol	Value			Unit	Note
			Min.	Typ.	Max.		
Power Supply Voltage		V _{CC}	10.8	12	13.2	V	(1)
Rush Current		I _{RUSH}	—	—	3.055	A	(2)(5)
Power Consumption	White Pattern	P _T	—	8.31	9.14	W	(3)
	Black Pattern	P _T	—	8.31	9.14	W	
	Heavy Loading pattern	P _T	—	8.82	9.7	W	
Power Supply Current	White Pattern	—	—	0.72	0.78	A	
	Black Pattern	—	—	0.72	0.78	A	
	Heavy Loading pattern	—	—	0.76	0.82	A	
LVDS interface	Differential Input High Threshold Voltage	V _{TH}	—	—	+100	mV	(4)
	Differential Input Low Threshold Voltage	V _{TL}	-100	—	—	mV	
	Common Input Voltage	V _{CM}	1.0	1.2	1.4	V	
	Differential input voltage (single-end)	V _{ID}	100	—	600	mV	
	Terminating Resistor	R _T	—	100	—	ohm	
CMIS interface	Input High Threshold Voltage	V _{IH}	2.7	—	3.3	V	
	Input Low Threshold Voltage	V _{IL}	0	—	0.7	V	

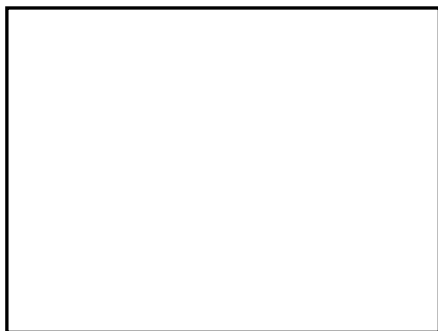
Note (1) The module should be always operated within the above ranges. The ripple voltage should be controlled under 10% of Vcc (Typ.)

Note (2) Measurement Conditions :



Note (3) The specified power supply current is under the conditions at Vcc = 12 V, Ta = 25 ± 2 °C, fv = 60 Hz, whereas a power dissipation check pattern below is displayed.

a. White Pattern



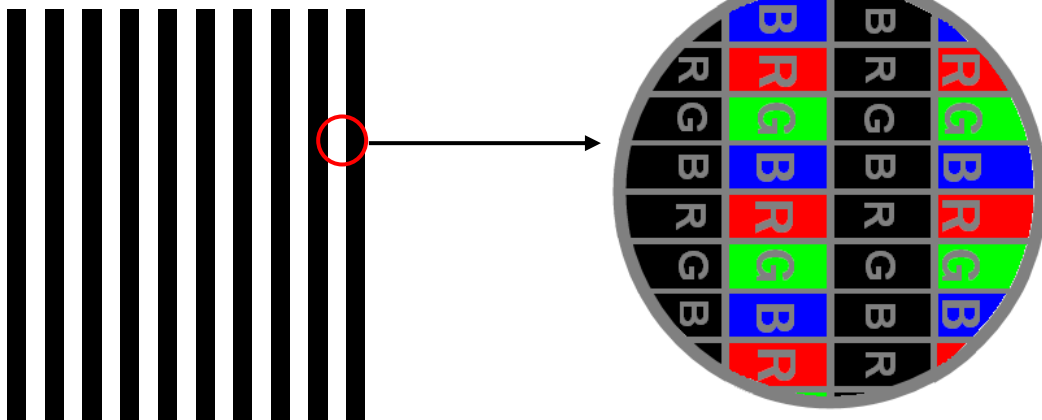
Active Area

b. Black Pattern

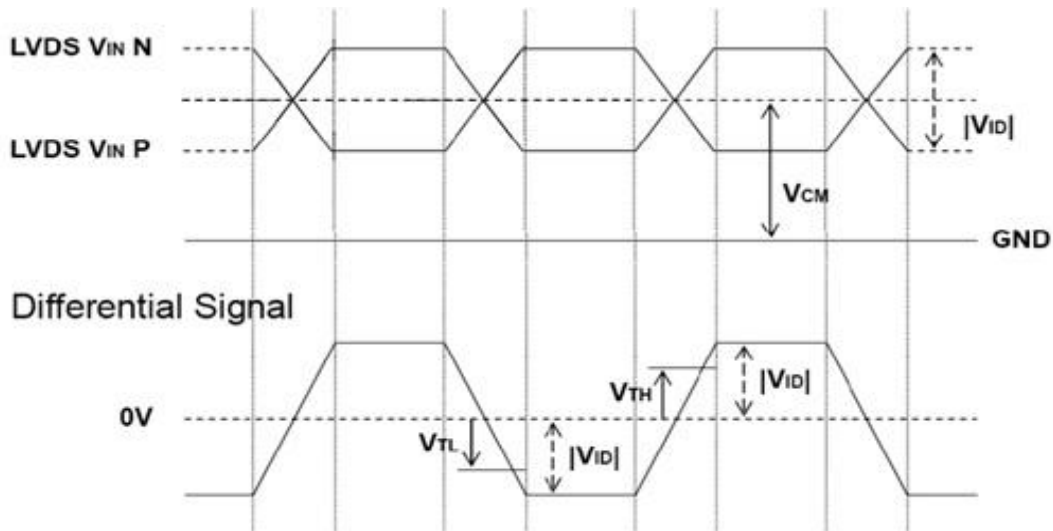


Active Area

c. Heavy Loading Pattern



Note (4) The LVDS input characteristics is shown as below : The position of measurement is TCON LVDS input pin. The differential voltage must be higher than VTH and lower than VTL to ensure that the receiver indicates a valid logic state at its output.



3.2 BACKLIGHT CONVERTER UNIT

3.2.1 CONVERTER CHARACTERISTICS

The backlight unit contains 1 pcs LED light bar, and each light bar has 2 string LED. (Ta = 25 ± 2 °C)

Parameter	Symbol	Value			Unit	Note
		Min.	Typ.	Max.		
One String Current	I_L	52.25	55	57.75	mA	(1)
One String Voltage	V_W	26.3	—	28.6	V _{DC}	(2) $I_L=55mA$
One String Voltage Variation	ΔV_W			2	V _{DC}	
Power Consumption	P_{BL}		3.0		W	(3) $I_L=55mA$
Dimming Frequency	FB	150	160	170	Hz	(5)
Dimming Duty Ratio	DDR	5		100	%	(5)
Life time	—	30,000	—	—	Hrs	(4)

Note (1) Dimming Ratio=100%

Note (2) The maximum one string voltage is defined at Ta = -25°C

Note (3) The power consumption is only calculate the power of light bar.

Note (4) The lifetime is defined as the time which luminance of the LED decays to 50% compared to the initial value, Operating condition: Continuous operating at Ta = 25±2°C, IL =55 mA.

Note (5) EPWM signal have to input available duty range. Between 97% and 100% duty (DDR) have to be avoided. (97% < DDR < 100%) But 100% duty (DDR) is possible. 5% duty (DDR) is only valid for electrical operation.

3.2.2 CONVERTER INTERFACE CHARACTERISTICS

Parameter		Symbol	Test Condi	Value			Unit	Note	
				Min.	Typ.	Max.			
On/Off Control Voltage	ON	VBLON	—	2.0	—	5.0	V		
	OFF		—	0	—	0.8	V		
External PWM Control Voltage	HI	VEPWM	—	2.0	—	5.0	V	Duty on	(5)
	LO		—	0	—	0.8	V	Duty off	
VBL Rising Time		Tr1	—	20	—	—	ms	10%-90%V _{BL}	
Control Signal Rising Time		Tr	—	—	—	100	ms		
Control Signal Falling Time		Tf	—	—	—	100	ms		
PWM Signal Rising Time		TPWMR	—	—	—	50	us		
PWM Signal Falling Time		TPWMF	—	—	—	50	us		
Input Impedance		Rin	—	1	—	—	MΩ		
PWM Delay Time		TPWM	—	100	—	—	ms		
BLON Delay Time		T _{on}	—	300	—	—	ms		
		T _{on1}	—	300	—	—	ms		
BLON Off Time		Toff	—	300	—	—	ms		

Note (1) The Dimming signal should be valid before backlight turns on by BLON signal. It is inhibited to change the external PWM signal during backlight turn on period.

Note (2) The power sequence and control signal timing are shown in the Fig.1. For a certain reason, the converter has a possibility to be damaged with wrong power sequence and control signal timing.

Note (3) While system is turned ON or OFF, the power sequences must follow as below descriptions:

Turn ON sequence: VBL → PWM signal → BLON

Turn OFF sequence: BLOFF → PWM signal → VBL

Note (4) When converter protective function is triggered, ERR will output open collector status. (Fig.2)

Note (5) The EPWM interface that inserts a pull up resistor to 5V in Max Duty (100%), please refers to Fig.3.

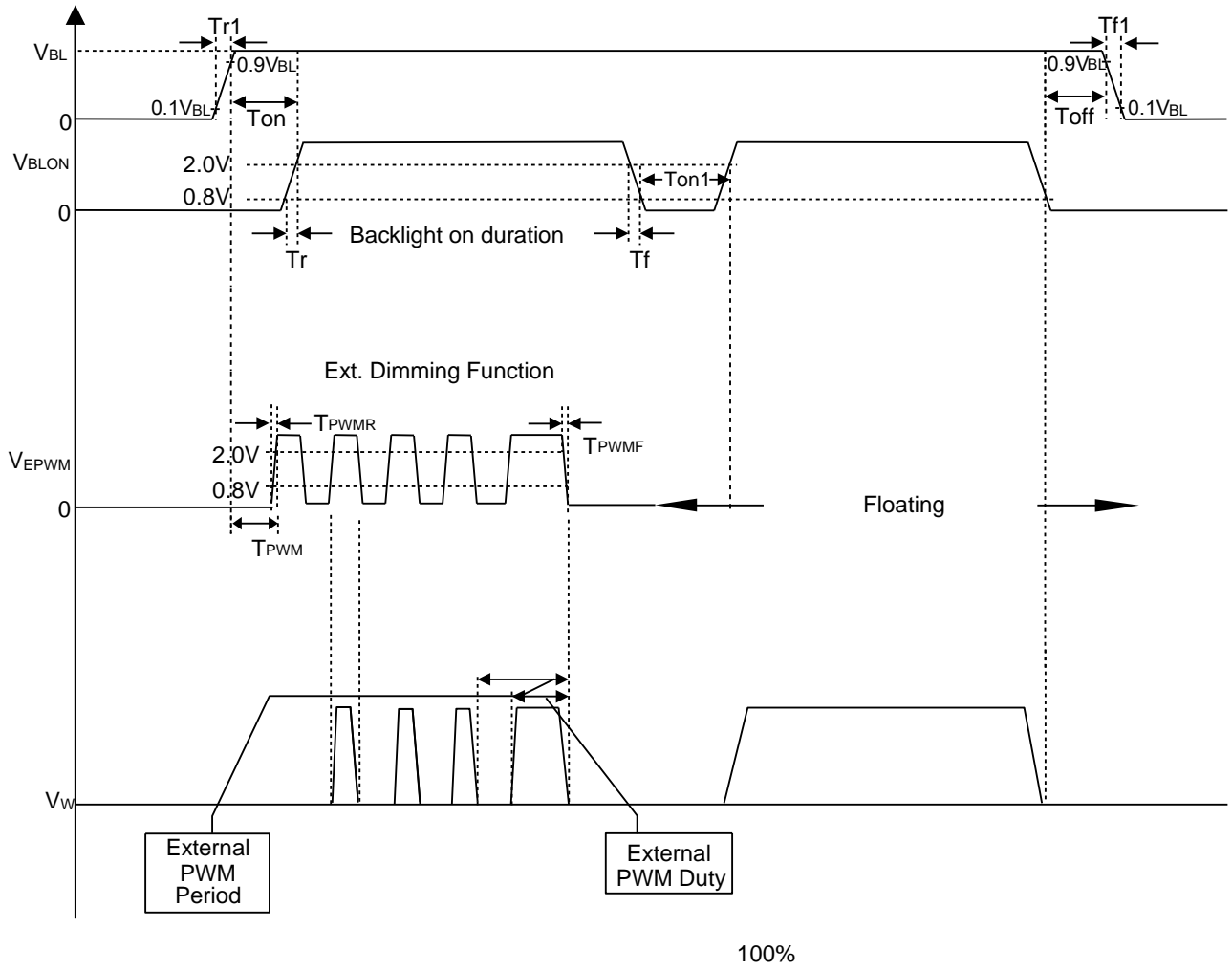


Fig. 1

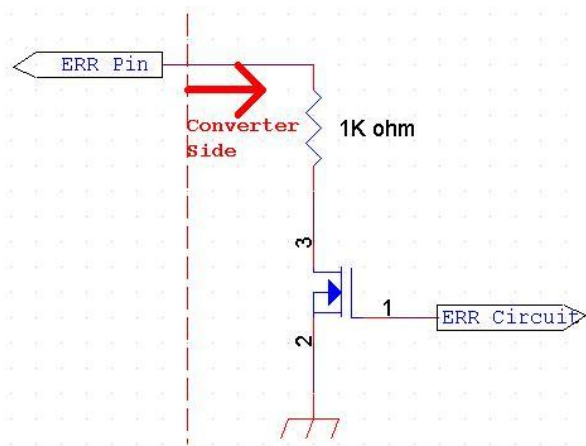


Fig. 2

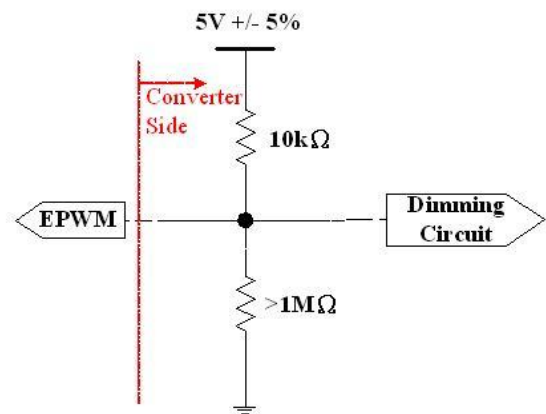


Fig. 3

4. INTERFACE PIN CONNECTION

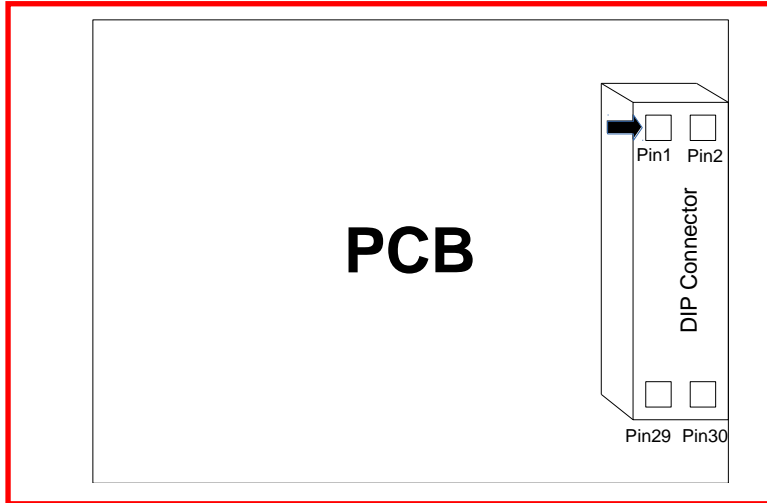
4.1 TFT LCD MODULE

CNF1 Connector : 7003J30-000000-G2-(STARCONN)

Connector Pin Assignment

Pin	Name	Description	Remark
1	Vcc	+12V power supply	
2	Vcc	+12V power supply	
3	Vcc	+12V power supply	
4	Vcc	+12V power supply	
5	Vcc	+12V power supply	
6	VEPWM	External dimming function for backlight brightness adjustment	(5)
7	GND	Ground	
8	GND	Ground	
9	SELLVDS	LVDS data format selection.	(3)(4)
10	VBLON	Backlight Enable Signal	(5)
11	GND	Ground	
12	NC	No connection	(2)
13	RX3+	Positive LVDS differential data input. Channel 3	
14	NC	No connection	(2)
15	RX3-	Negative LVDS differential data input. Channel 3	
16	NC	No connection	(2)
17	GND	Ground	
18	GND	Ground	
19	RXCLK+	Positive LVDS differential clock input.	
20	RX0-	Negative LVDS differential data input. Channel 0	
21	RXCLK-	Negative LVDS differential clock input.	
22	RX0+	Positive LVDS differential data input. Channel 0	
23	GND	Ground	
24	GND	Ground	
25	RX2+	Positive LVDS differential data input. Channel 2	
26	RX1-	Negative LVDS differential data input. Channel 1	
27	RX2-	Negative LVDS differential data input. Channel 2	
28	RX1+	Positive LVDS differential data input. Channel 1	
29	GND	Ground	
30	GND	Ground	

Note (1) LVDS connector pin order is defined as below.



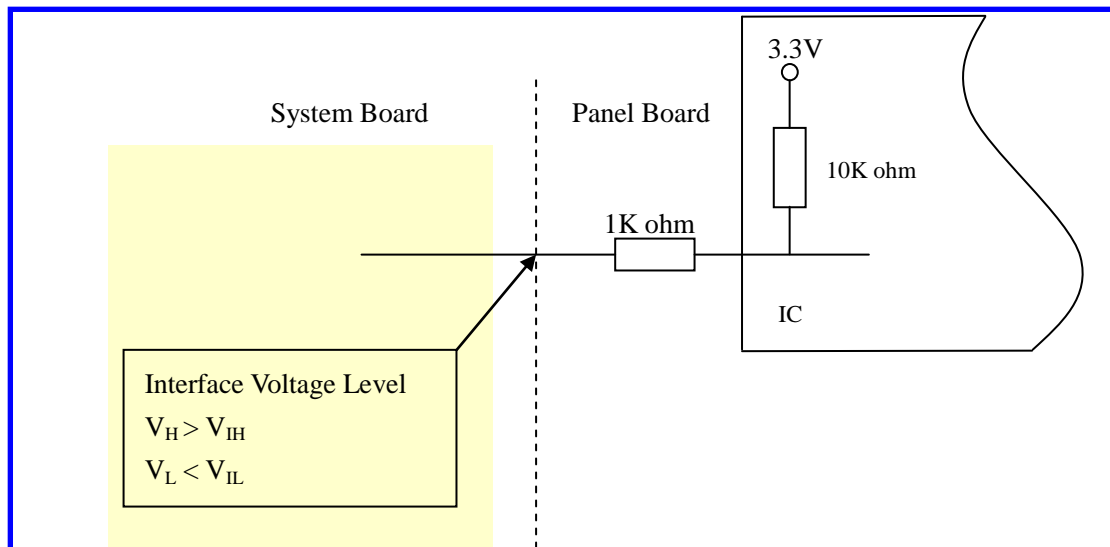
Note (2) Reserved for internal use. Please leave it open.

Note (3)

SELLVDS	Mode
L	JEIDA
H	VESA

L : Connect to GND, H : Connect to +3.3V

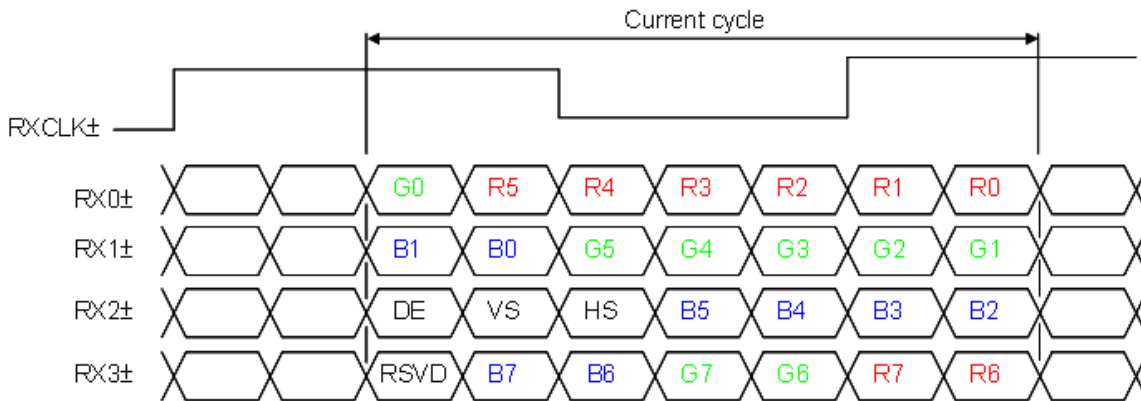
Note (4) Interface optional pin has internal scheme as following diagram. Customer should keep the interface voltage level requirement which including panel board loading as below.



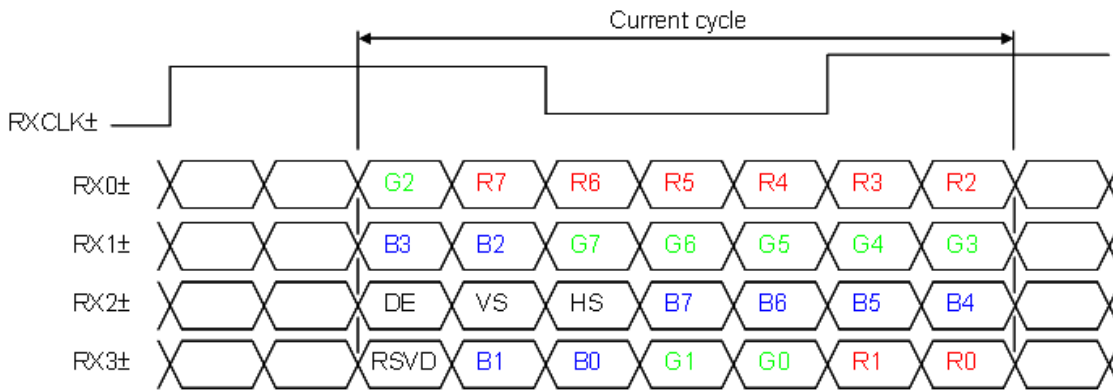
Note (5) Please refer converter page.

4.2 LVDS INTERFACE

VESA Format : SELLVDS = H



JEIDA Format : SELLVDS = L



R0~R7 : Pixel R Data (7; MSB, 0; LSB)

G0~G7 : Pixel G Data (7; MSB, 0; LSB)

B0~B7 : Pixel B Data (7; MSB, 0; LSB)

DE : Data enable signal

DCLK : Data clock signal

Notes: (1) RSVD (reserved) pins on the transmitter shall be "H" or "L".

4.3 COLOR DATA INPUT ASSIGNMENT

The brightness of each primary color (red, green and blue) is based on the 8-bit gray scale data input for the color. The higher the binary input, the brighter the color. The table below provides the assignment of the color versus data input.

Color		Data Signal																							
		Red								Green								Blue							
		R7	R6	R5	R4	R3	R2	R1	R0	G7	G6	G5	G4	G3	G2	G1	G0	B7	B6	B5	B4	B3	B2	B1	B0
Basic Colors	Black	0	0	0	0	0	0	0	0	0	0	0	0	0	0	0	0	0	0	0	0	0	0	0	
	Red	1	1	1	1	1	1	1	1	0	0	0	0	0	0	0	0	0	0	0	0	0	0	0	
	Green	0	0	0	0	0	0	0	0	1	1	1	1	1	1	1	1	0	0	0	0	0	0	0	
	Blue	0	0	0	0	0	0	0	0	0	0	0	0	0	0	0	0	1	1	1	1	1	1	1	
	Cyan	0	0	0	0	0	0	0	0	1	1	1	1	1	1	1	1	1	1	1	1	1	1	1	
	Magenta	1	1	1	1	1	1	1	1	0	0	0	0	0	0	0	0	1	1	1	1	1	1	1	
	Yellow	1	1	1	1	1	1	1	1	1	1	1	1	1	1	1	1	0	0	0	0	0	0	0	
	White	1	1	1	1	1	1	1	1	1	1	1	1	1	1	1	1	1	1	1	1	1	1	1	
Gray Scale Of Red	Red (0) / Dark	0	0	0	0	0	0	0	0	0	0	0	0	0	0	0	0	0	0	0	0	0	0		
	Red (1)	0	0	0	0	0	0	0	1	0	0	0	0	0	0	0	0	0	0	0	0	0	0		
	Red (2)	0	0	0	0	0	0	1	0	0	0	0	0	0	0	0	0	0	0	0	0	0	0		
	:	:	:	:	:	:	:	:	:	:	:	:	:	:	:	:	:	:	:	:	:	:	:		
	:	:	:	:	:	:	:	:	:	:	:	:	:	:	:	:	:	:	:	:	:	:	:		
	Red (253)	1	1	1	1	1	1	0	1	0	0	0	0	0	0	0	0	0	0	0	0	0	0		
	Red (254)	1	1	1	1	1	1	1	0	0	0	0	0	0	0	0	0	0	0	0	0	0	0		
	Red (255)	1	1	1	1	1	1	1	1	0	0	0	0	0	0	0	0	0	0	0	0	0	0		
Gray Scale Of Green	Green (0) / Dark	0	0	0	0	0	0	0	0	0	0	0	0	0	0	0	0	0	0	0	0	0	0		
	Green (1)	0	0	0	0	0	0	0	0	0	0	0	0	0	0	1	0	0	0	0	0	0	0		
	Green (2)	0	0	0	0	0	0	0	0	0	0	0	0	0	1	0	0	0	0	0	0	0	0		
	:	:	:	:	:	:	:	:	:	:	:	:	:	:	:	:	:	:	:	:	:	:	:		
	:	:	:	:	:	:	:	:	:	:	:	:	:	:	:	:	:	:	:	:	:	:	:		
	Green (253)	0	0	0	0	0	0	0	0	1	1	1	1	1	1	0	1	0	0	0	0	0	0		
	Green (254)	0	0	0	0	0	0	0	0	1	1	1	1	1	1	1	0	0	0	0	0	0	0		
	Green (255)	0	0	0	0	0	0	0	0	1	1	1	1	1	1	1	1	0	0	0	0	0	0		
Gray Scale Of Blue	Blue (0) / Dark	0	0	0	0	0	0	0	0	0	0	0	0	0	0	0	0	0	0	0	0	0	0		
	Blue (1)	0	0	0	0	0	0	0	0	0	0	0	0	0	0	0	0	0	0	0	0	0	1		
	Blue (2)	0	0	0	0	0	0	0	0	0	0	0	0	0	0	0	0	0	0	0	0	0	1		
	:	:	:	:	:	:	:	:	:	:	:	:	:	:	:	:	:	:	:	:	:	:	:		
	:	:	:	:	:	:	:	:	:	:	:	:	:	:	:	:	:	:	:	:	:	:	:		
	Blue (253)	0	0	0	0	0	0	0	0	0	0	0	0	0	0	0	1	1	1	1	1	1	0		
	Blue (254)	0	0	0	0	0	0	0	0	0	0	0	0	0	0	0	1	1	1	1	1	1	0		
	Blue (255)	0	0	0	0	0	0	0	0	0	0	0	0	0	0	0	1	1	1	1	1	1	1		

Note (1) 0: Low Level Voltage, 1: High Level Voltage

5. INTERFACE TIMING

5.1 INPUT SIGNAL TIMING SPECIFICATIONS

The input signal timing specifications are shown as the following table and timing diagram.

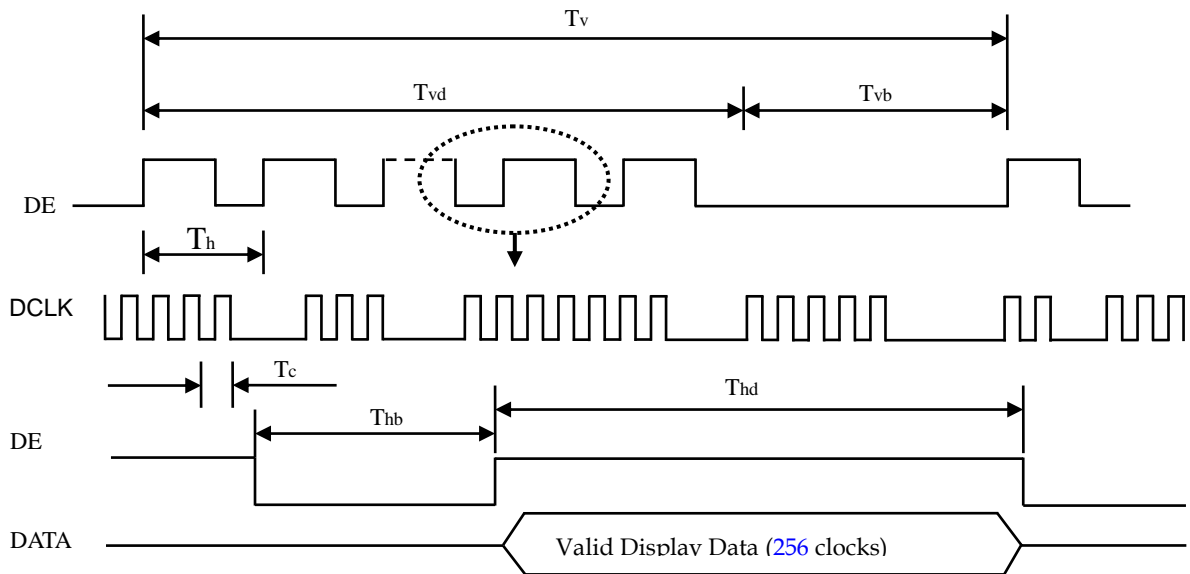
Signal	Item	Symbol	Min.	Typ.	Max.	Unit	Note
LVDS Receiver Clock	Frequency	$F_{clk_{in}}$ (=1/TC)	69	74.25	78	MHz	
	Input cycle to cycle jitter	T_{rcl}	—	—	200	ps	(3)
	Spread spectrum modulation range	$F_{clk_{in_mod}}$	$F_{clk_{in}}-2\%$	—	$F_{clk_{in}}+2\%$	MHz	(4)
	Spread spectrum modulation frequency	F_{SSM}	—	—	200	KHz	
LVDS Receiver Data	Receiver Skew Margin	T_{RSKM}	-400	—	400	ps	(5)
Vertical Active Display Term	Frame Rate	F_{r6}	58	60	62	Hz	
	Total	T_v	1935	1968	2020	Th	$T_v=T_{vd}+T_{vb}$
	Display	T_{vd}	1920	1920	1920	Th	
	Blank	T_{vb}	15	48	100	Th	
Horizontal Active Display Term	Total	T_h	595	628	695	Tc	$T_h=T_{hd}+T_{hb}$
	Display	T_{hd}	256	256	256	Tc	(6)
	Blank	T_{hb}	339	372	439	Tc	

Note (1) Please make sure the range of frame rate has follow the below equation :

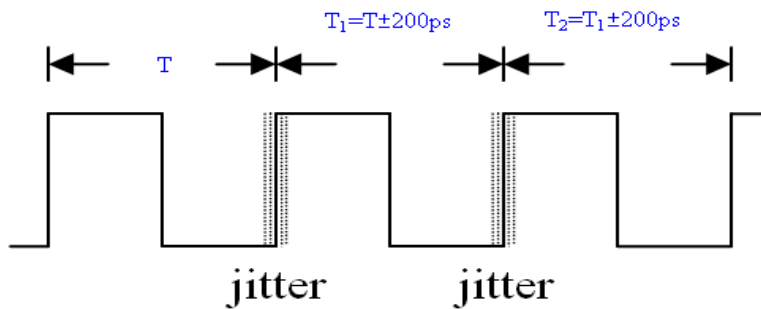
$$F_{clk_{in}}(\max) \geq Fr6 \times T_v \times T_h$$

$$Fr6 \times T_v \times T_h \geq F_{clk_{in}}(\min)$$

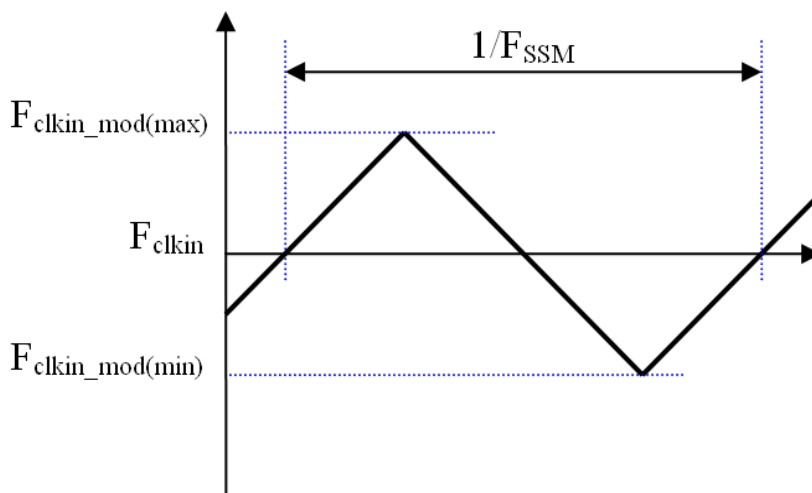
Note (2) This module is operated in DE only mode and please follow the input signal timing diagram as below :



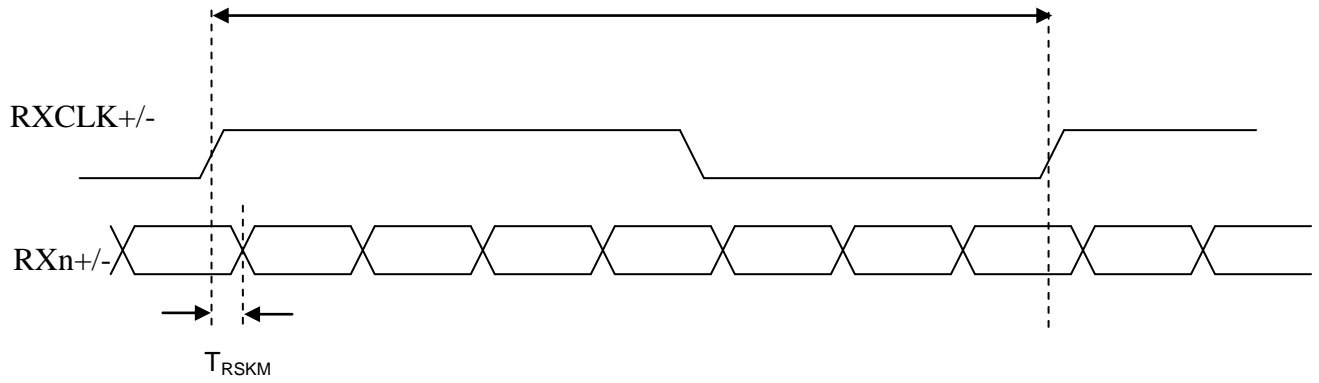
Note (3) The input clock cycle-to-cycle jitter is defined as below figures. $Trcl = |T_1 - T_2|$



Note (4) The SSCG (Spread spectrum clock generator) is defined as below figures.



Note (5) The LVDS timing diagram and the receiver skew margin is defined and shown in following figure.

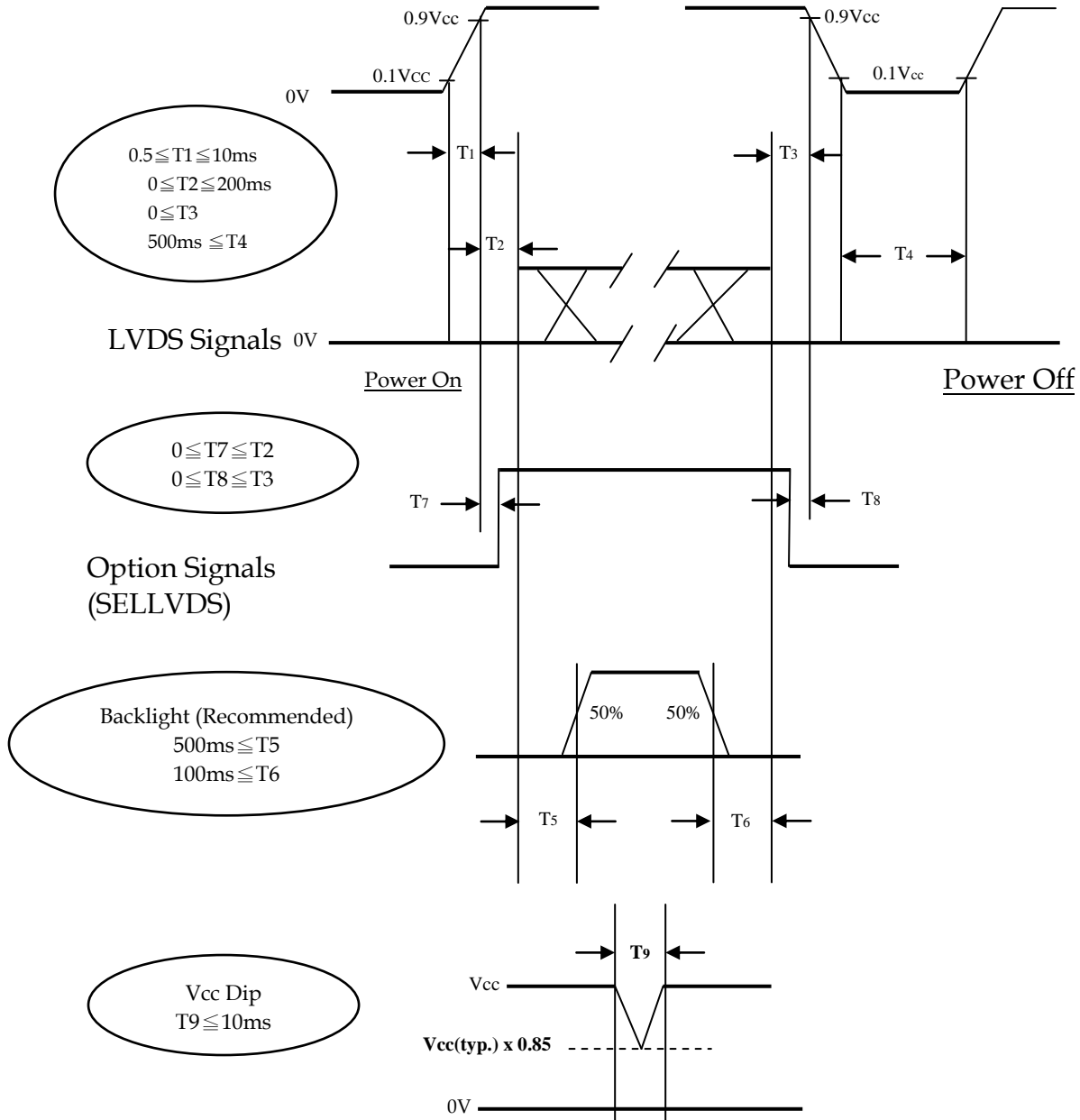


Note (6) The real display Hactive is 158 but TCON must receive Hactive which is 256. The Hactive of 159~256 are dummy, we recommend they are black data. If Hactive is not 256, the display may be abnormal.

5.2 POWER ON/OFF SEQUENCE

($T_a = 25 \pm 2 \text{ }^\circ\text{C}$)

To prevent a latch-up or DC operation of LCD module, the power on/off sequence should be as the diagram below.



Note (1) The supply voltage of the external system for the module input should follow the definition of V_{cc} .

Note (2) Apply the LED voltage within the LCD operation range. When the backlight turns on before the LCD operation or the LCD turns off before the backlight turns off, the display may momentarily become abnormal screen.

Note (3) In case of V_{CC} is in off level, please keep the level of input signals on the low or high impedance.

Note (4) T_4 should be measured after the module has been fully discharged between power off and on period.

Note (5) Interface signal shall not be kept at high impedance when the power is on.

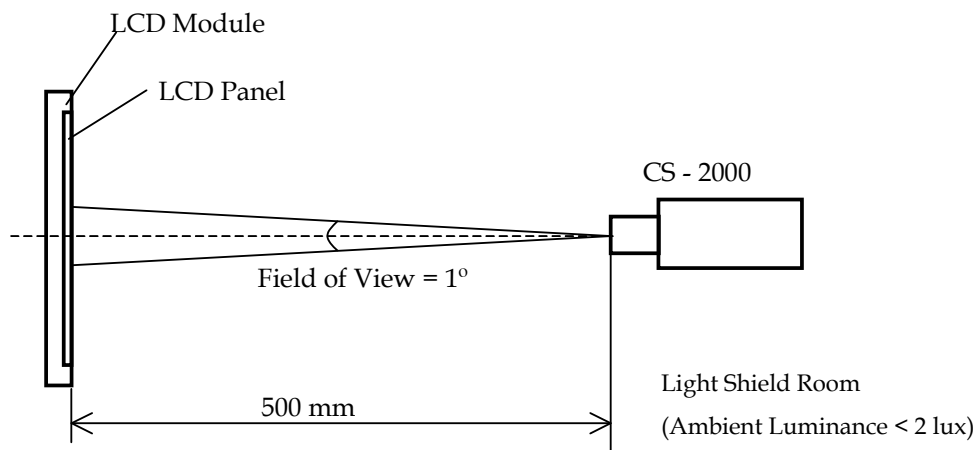
Note (6) V_{cc} must decay smoothly when power-off.

6. OPTICAL CHARACTERISTICS

6.1 TEST CONDITIONS

Item	Symbol	Value	Unit
Ambient Temperature	Ta	25±2	°C
Ambient Humidity	Ha	50±10	%RH
Supply Voltage	VCC	12±1.2	V
Input Signal	According to typical value in "3. ELECTRICAL CHARACTERISTICS"		
Vertical Frame Rate	Fr	60	Hz

The LCD module should be stabilized at given temperature for 1 hour to avoid abrupt temperature change during measuring in a windless room.



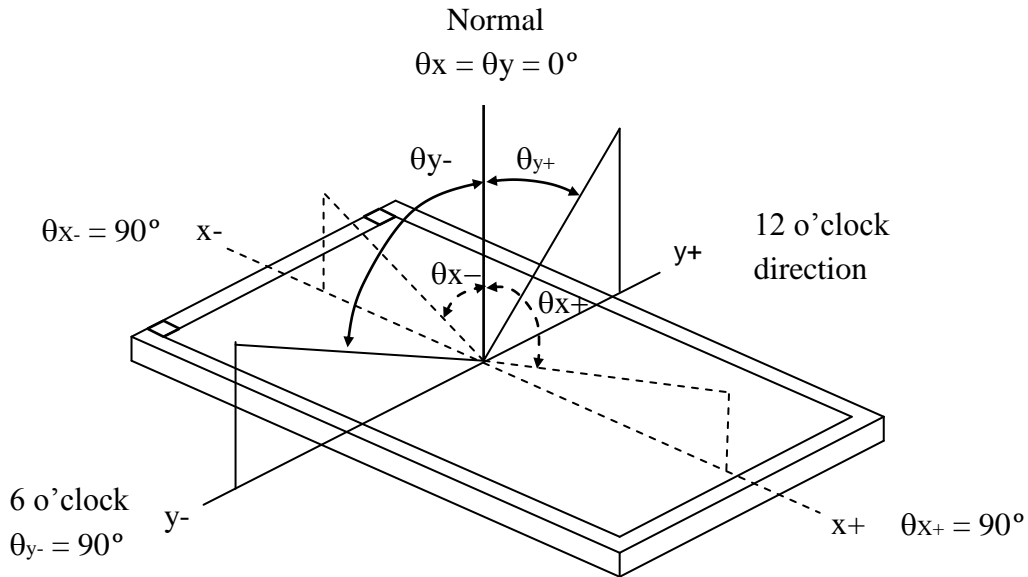
6.2 OPTICAL SPECIFICATIONS

The relative measurement methods of optical characteristics are shown in 7.2. The following items should be measured under the test conditions described in 7.1 and stable environment shown in 7.1.

Item		Symbol	Condition	Min.	Typ.	Max.	Unit	Note		
Contrast Ratio		CR	$\theta_x=0^\circ, \theta_y=0^\circ$ Viewing angle at normal direction	2100	3000	-	-	(2)		
Response Time		Gray to gray			9.5	19	ms	(3)		
Center Luminance of White		L_C		320	400	-	cd/m ²	(4)		
White Variation		δW		75			%	(5)		
Color Chromaticity	Red	Rx		Typ.- 0.03	Typ.+ 0.03	0.649	-			
		Ry				0.338	-			
	Green	Gx				0.315	-			
		Gy				0.622	-			
	Blue	Bx				0.151	-			
		By				0.060	-			
	White	Wx	0.309			-				
		Wy	0.338			-				
	Correlated color temperature					-	6500		-	K
	Color Gamut		C.G.			-	72		-	%
Viewing Angle	Horizontal	θ_{x+}	CR \geq 10	80	89	-	Deg.	(1)		
		θ_{x-}								
	Vertical	θ_{y+}								
		θ_{y-}								

Note (1) Definition of Viewing Angle (θ_x, θ_y) :

Viewing angles are measured by Autronic Conoscope Cono-80 (or Eldim EZ-Contrast 160R).



Note (2) Definition of Contrast Ratio (CR) :

The contrast ratio can be calculated by the following expression.

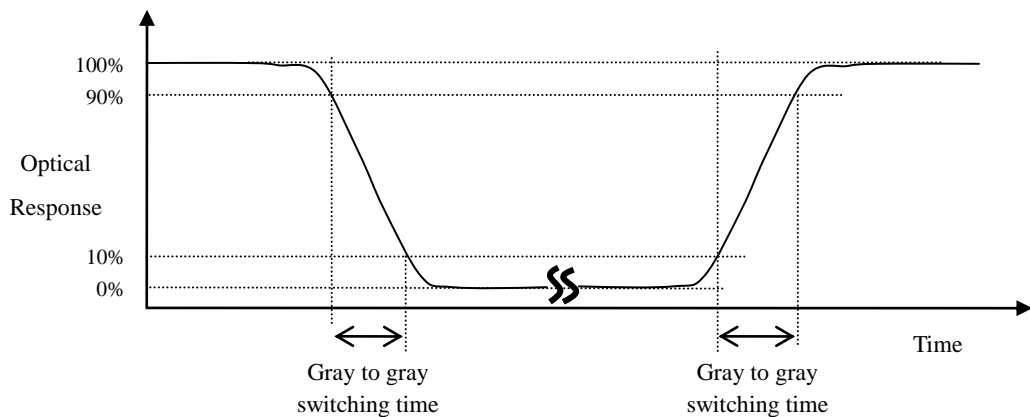
$$\text{Contrast Ratio (CR)} = \frac{\text{Surface Luminance of L255}}{\text{Surface Luminance of L0}}$$

L255: Luminance of gray level 255

L 0: Luminance of gray level 0

CR = CR (X), where CR (X) is corresponding to the Contrast Ratio of the point X at the figure in Note (5).

Note (3) Definition of Gray-to-Gray Switching Time :



The driving signal means the signal of gray level 0, 31, 63, 95, 127, 159, 191, 223 and 255.

Gray to gray average time means the average switching time of gray level 0, 31, 63, 95, 127, 159, 191, 223 and 255 to each other.

Note (4) Definition of Luminance of White (L_C, L_{AVE}) :

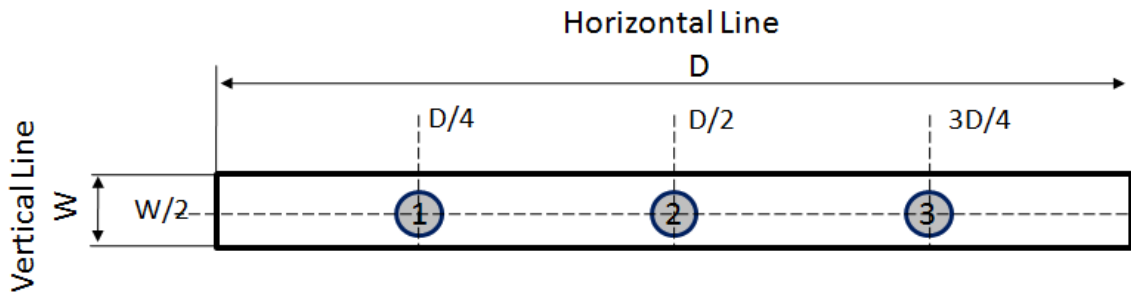
Measure the luminance of gray level 255 at center point and 3 points

$L_C = L(2)$, where $L(X)$ is corresponding to the luminance of the point X at the figure in Note (5).

Note (5) Definition of White Variation (δW) :

Measure the luminance of gray level 255 at 3 points

$$\delta W = \frac{\text{Minimum}[L(1), L(2), L(3)]}{\text{Maximum}[L(1), L(2), L(3)]}$$



7. PRECAUTIONS

7.1 ASSEMBLY AND HANDLING PRECAUTIONS

- [1] Do not apply rough force such as bending or twisting to the module during assembly.
- [2] Do not apply pressure or impulse to the module to prevent the damage of LCD panel and Backlight.
- [3] Bezel of Set can not press or touch the panel surface. It will make light leakage or scrape.
- [4] It should be attached to the system firmly using all mounting holes.
- [5] It is recommended to assemble or to install a module into the user's system in clean working areas. The dust and oil may cause electrical short or worsen the polarizer, do not press or scratch the surface harder than a HB pencil lead.
- [6] Use finger-stalls with soft gloves in order to keep display clean during the incoming inspection and assembly process.
- [7] Protection film for polarizer on the module should be slowly peeled off just before use so that the electrostatic charge can be minimized.
- [8] Do not disassemble the module.
- [9] Always follow the correct power-on sequence when the LCD module is turned on. This can prevent the damage and latch-up of the CMOS LSI chips.
- [10] Do not plug in or pull out the I/F connector while the module is in operation, pins of I/F connector should not be touched directly with bare hands. Do not adjust the variable resistor located on the module.
- [11] Moisture can easily penetrate into LCD module and may cause the damage during operation.
- [12] When storing modules as spares for a long time, the following precaution is necessary.
 - [12.1] Do not leave the module in high temperature, and high humidity for a long time. It is highly recommended to store the module with temperature from 0 to 35°C at normal humidity (under 70%) without condensation.
 - [12.2] The module shall be stored in dark place. Do not store the TFT-LCD module in direct sunlight or fluorescent light.
- [13] When ambient temperature is lower than 10°C, the display quality might be reduced. For example, the response time will become slow, and the starting voltage of LED will be higher than that of room temperature.

7.2 SAFETY PRECAUTIONS

To optimize PID module's lifetime and functions, operating conditions should be followed as below

[1] Normal operating condition

[1.1] Temperature : $20\pm 15^{\circ}\text{C}$

[1.2] Humidity : $55\pm 20\%$

[1.3] Well-ventilated place is suggested to set up PID module and system.

[1.4] Display pattern : regular switched patterns or moving pictures.

[2] Operation usage to protect against image sticking due to long-term static display.

[2.1] Suitable operating time : under 24 hours a day.

(* The moving picture can be allowed for 24 hours a day)

[2.2] Liquid Crystal refresh time is required. Cycling display between 5 minutes' information (static) display and 10 seconds' moving image.

(* Information (static) display is request $> 50\%$ gray level background)

[2.3] Periodical display contents should be changed from static image to moving picture.

[2.3.1] Different background and image colors changed respectively, and changed colors periodically.

[2.3.2] Background and image with large different luminance displayed at the same time should be avoided.

[2.3.3] Periodical power-off the system for a while or screen saver is needed after long-term static display.

[2.3.4] Moving picture or black pattern is strongly recommended for screen saver.

[3] The startup voltage of a Backlight may cause an electrical shock while assembling with the converter. Do not disassemble the module or insert anything into the Backlight unit.

[4] Do not connect or disconnect the module in the "Power On" condition.

[5] Do not exceed the absolute maximum rating value. (supply voltage variation, input voltage variation, variation in part contents and environmental temperature...) Otherwise the module may be damaged.

[6] If the liquid crystal material leaks from the panel, it should be kept away from the eyes or mouth. In case of contact with hands, skin or clothes, it has to be washed away thoroughly with soap.

[7] Module should be turned clockwise (regular front view perspective) when used in portrait mode.

[8] Ultra-violet ray filter is necessary for outdoor operation.

[9] Only when PID module is operated under right operating conditions, lifetime in this spec can be guaranteed. After the module's end of life, it is not harmful in case of normal operation and storage.

7.3 SAFETY STANDARDS

The LCD module should be certified with safety regulations as follows:

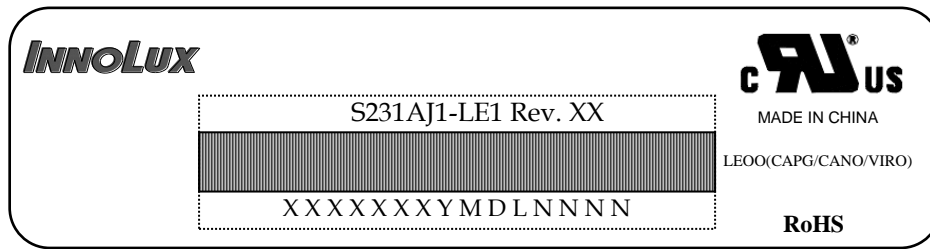
Regulatory	Item	Standard
Information Technology equipment	UL	UL60950-1:2006 or Ed.2:2007
	cUL	CAN/CSA C22.2 No.60950-1-03 or 60950-1-07
	CB	IEC60950-1:2005 / EN60950-1:2006+ A11:2009
Audio/Video Apparatus	UL	UL60065 Ed.7:2007
	cUL	CAN/CSA C22.2 No.60065-03:2006 + A1:2006
	CB	IEC60065:2001+ A1:2005 / EN60065:2002 + A1:2006+ A11:2008

If the module displays the same pattern for a long period of time, the phenomenon of image sticking may be occurred.

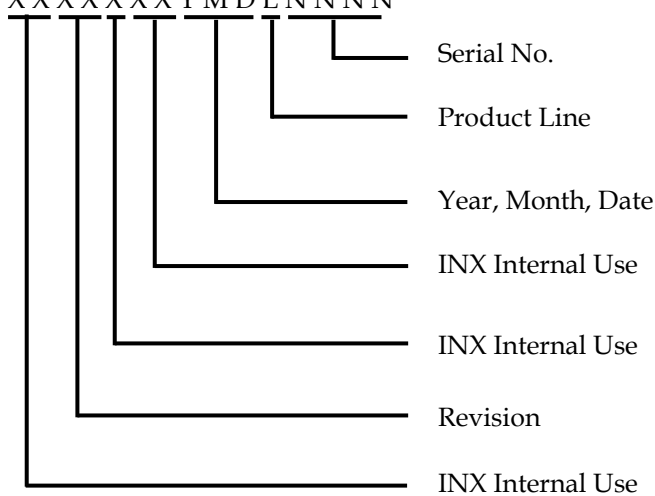
8. DEFINITION OF LABELS

8.1 MODULE LABEL

The barcode nameplate is pasted on each module as illustration, and its definitions are as following explanation.



- (a) Model Name: S231AJ1-LE1
- (b) Revision: Rev. XX, for example: A0, A1... B1, B2... or C1, C2...etc.
- (c) Serial ID: XXXXXXXYMDLNNNN



Serial ID includes the information as below:

- (a) Manufactured Date: Year: 0~9, for 2010~2019
Month: 1~9, A~C, for Jan. ~ Dec.
Day: 1~9, A~Y, for 1st to 31st, exclude I ,O, and U.
- (b) Revision Code: Cover all the change
- (c) Serial No.: Manufacturing sequence of product
- (d) Product Line: 1 → Line1, 2 → Line 2, ...etc.

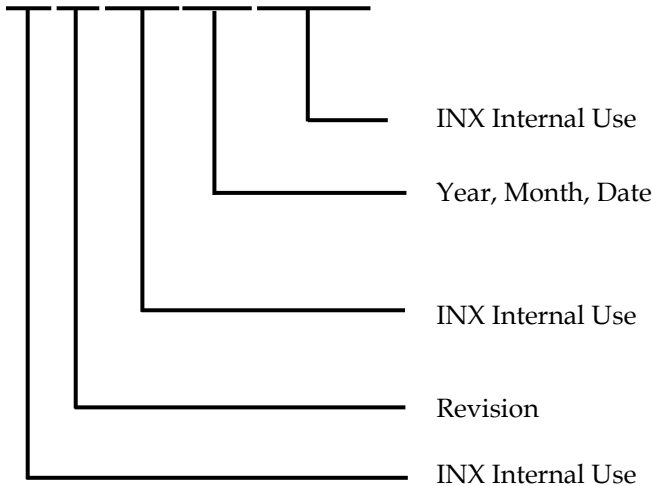
8.2 CARTON LABEL

The barcode nameplate is pasted on each box as illustration, and its definitions are as following explanation.



Model Name: S231AJ1-LE1

Carton ID: X X X X X X Y M D X X X X



Serial ID includes the information as below :

Manufactured Date:

Year: 2010=0, 2011=1, 2012=2...etc.

Month: 1~9, A~C, for Jan. ~ Dec.

Day: 1~9, A~Y, for 1st to 31st, exclude I, O, and U.

Revision Code: Cover all the change

9. PACKAGING

9.1 PACKAGING SPECIFICATIONS

- (1) 12 LCD TV modules / 1 Box
- (2) Box dimensions : 663(L) X 463 (W) X 165 (H)
- (3) Weight: approximately 7.5 Kg

9.2 PACKAGING METHOD

Packaging method is shown in following figures. 9-1~9-2

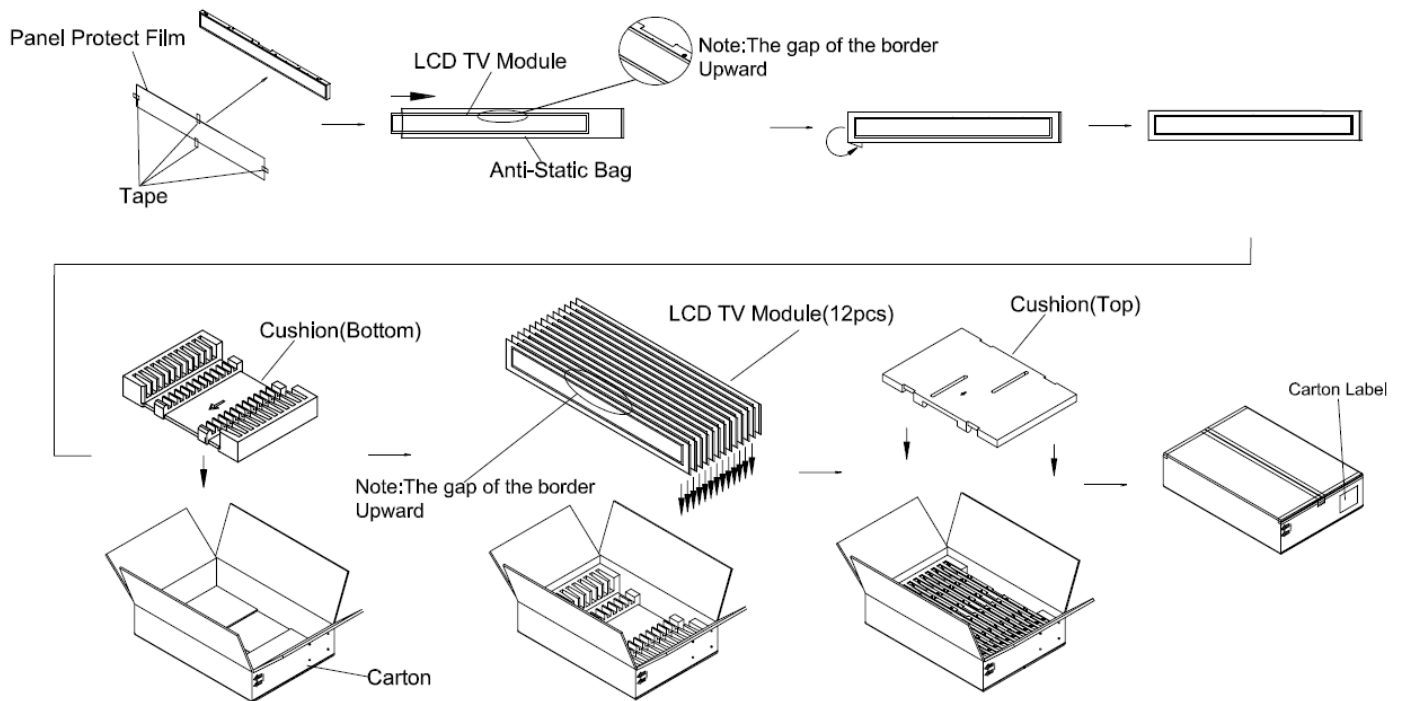
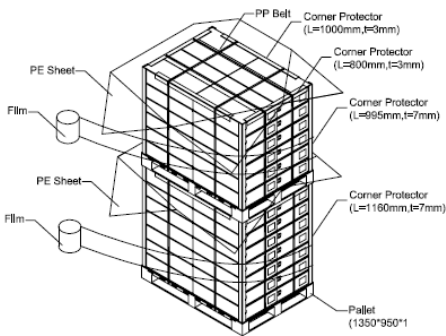
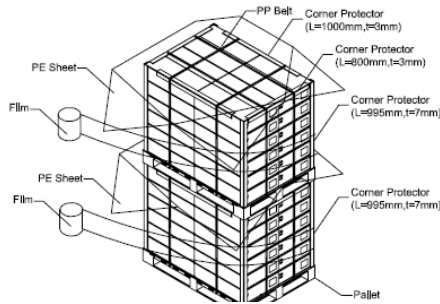


Figure 9-1 packaging method

Sea / Land Transportation (40ft HQ Container)
7+6 Layer



Sea / Land Transportation (40ft Container)
6+6 Layer



Air Transportation
7 Layer

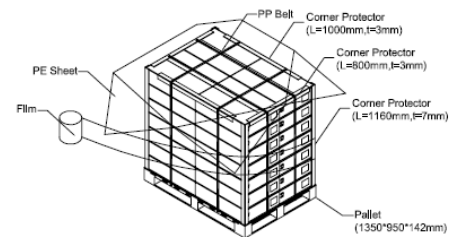


Figure 9-2 packaging method

9.3 UN-PACKAGING METHOD

Un-packaging method is shown in following Figure.9-3.

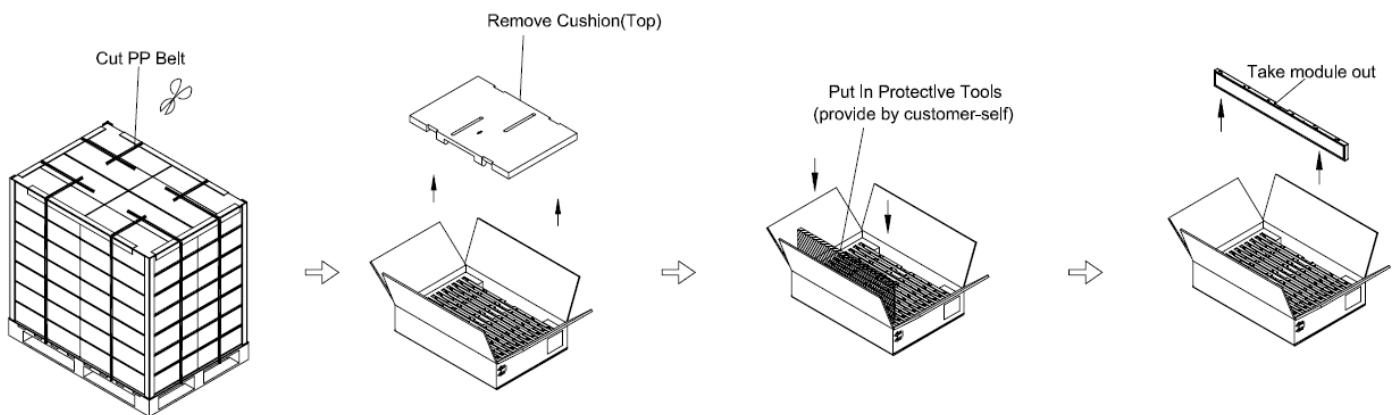
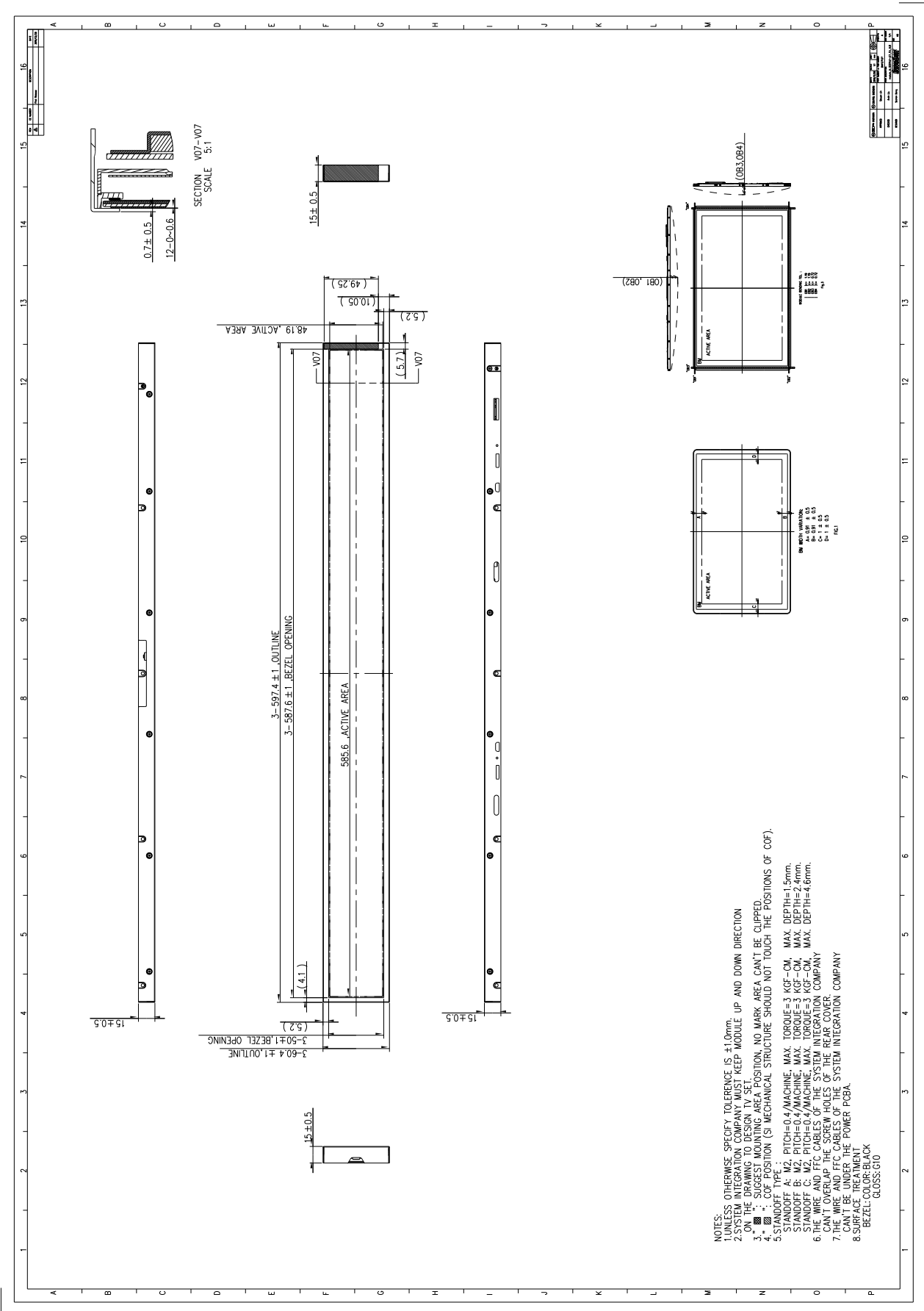
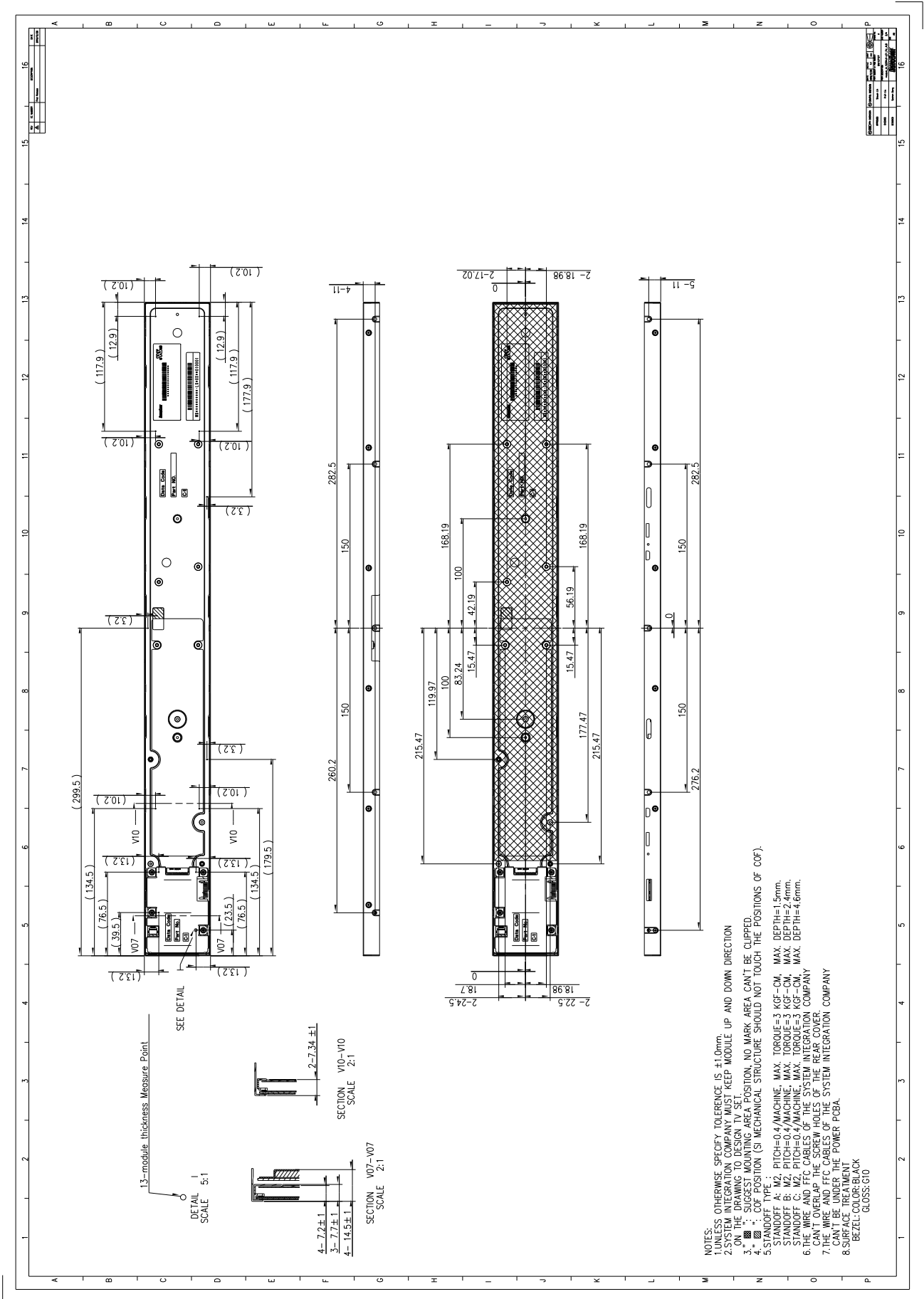


Figure 9-3 un-packaging method

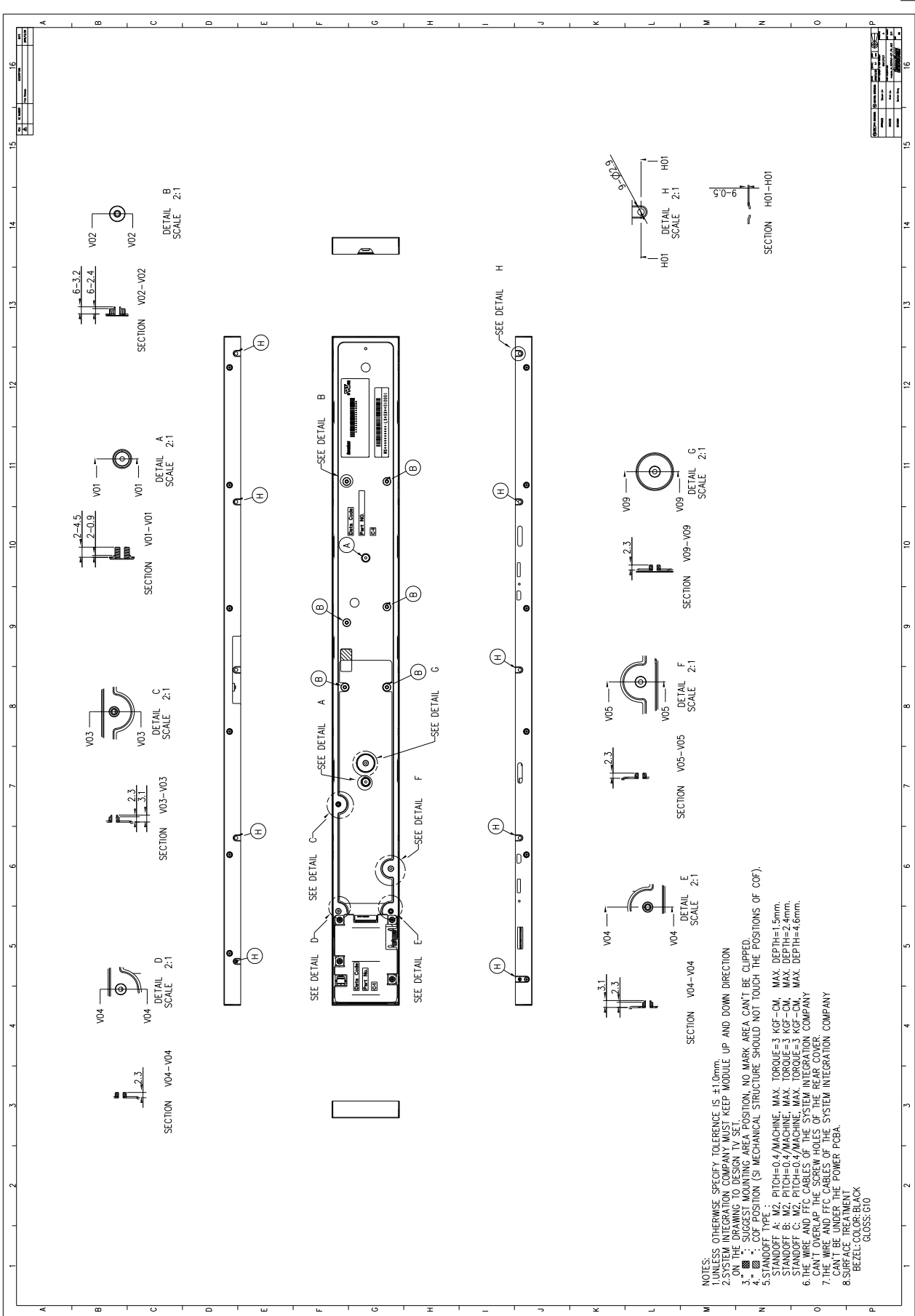
10. MECHANICAL CHARACTERISTIC



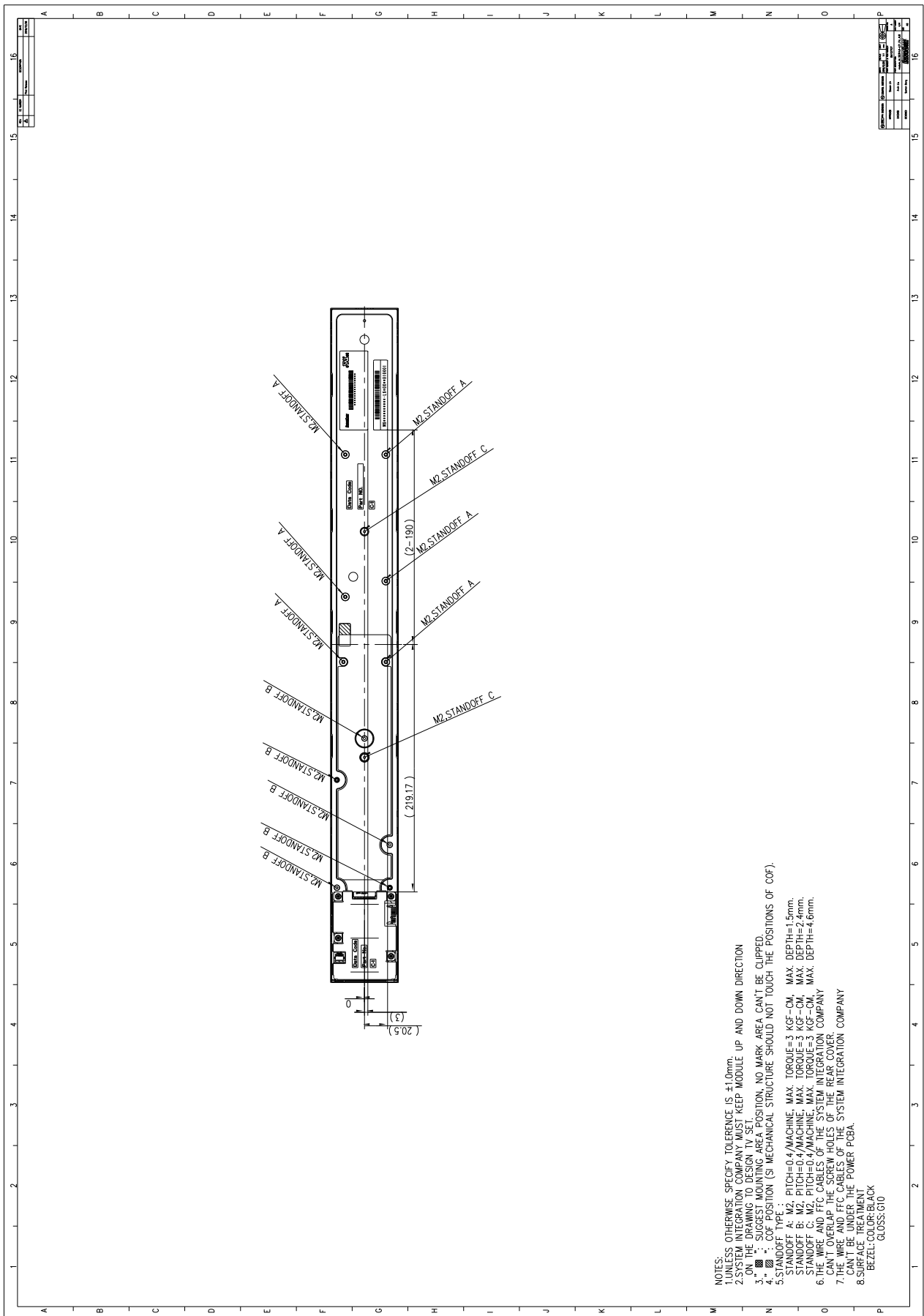
- NOTES:
1. UNLESS OTHERWISE SPECIFY TOLERANCE IS +1.0mm.
 2. SYSTEM INTEGRATION COMPANY MUST KEEP MODULE UP AND DOWN DIRECTION ON THE DRAWING TO DESIGN TV SET.
 3. : SUGGEST MOUNTING AREA POSITION. NO MARK AREA CAN'T BE CLIPPED.
 4. : POSITION (S) MECHANICAL STRUCTURE SHOULD NOT TOUCH THE POSITIONS OF COF).
 5. STANDOFF:
 - STANDOFF A: M2, PITCH=0.4/MACHINE, MAX. TORQUE=3 KGF-CM, MAX. DEPTH=1.5mm.
 - STANDOFF B: M2, PITCH=0.4/MACHINE, MAX. TORQUE=3 KGF-CM, MAX. DEPTH=2.4mm.
 - STANDOFF C: M2, PITCH=0.4/MACHINE, MAX. TORQUE=3 KGF-CM, MAX. DEPTH=4.6mm.
 6. THE WIRE AND IFC CABLES OF THE SYSTEM INTEGRATION COMPANY CAN NOT OVERLAP THE SCREW HOLES OF THE REAR COVER.
 7. CAN NOT OVERLAP THE SCREW HOLES OF THE SYSTEM INTEGRATION COMPANY CAN'T BE UNDER THE POWER PCB.
 8. SURFACE TREATMENT: BEZEL:COLOR:BLACK GLOSS:G10



- NOTES:
1. UNLESS OTHERWISE SPECIFY TOLERANCE IS $\pm 1.0\text{mm}$.
 2. SYSTEM INTEGRATION COMPANY MUST KEEP MODULE UP AND DOWN DIRECTION ON THE DRAWING TO DESIGN TV SET.
 3. : SUGGEST MOUNTING AREA POSITION, NO MARK AREA CAN'T BE CLIPPED.
 4. : POSITION (S) MECHANICAL STRUCTURE SHOULD NOT TOUCH THE POSITIONS OF COF.
 5. STANDOFF:
 - STANDOFF A: M2, PITCH=0.4/MACHINE, MAX. TORQUE=3 KGF-CM, MAX. DEPTH=1.5mm.
 - STANDOFF B: M2, PITCH=0.4/MACHINE, MAX. TORQUE=3 KGF-CM, MAX. DEPTH=2.4mm.
 - STANDOFF C: M2, PITCH=0.4/MACHINE, MAX. TORQUE=3 KGF-CM, MAX. DEPTH=4.6mm.
 6. THE WIRE AND FCC CABLES OF THE SYSTEM INTEGRATION COMPANY CAN'T OVERLAP THE SCREW HOLES OF THE REAR COVER.
 7. THE WIRE AND FCC CABLES OF THE SYSTEM INTEGRATION COMPANY CAN'T OVERLAP THE POWER PCB.
 8. SURFACE TREATMENT: BEZEL: COLOR-BLACK GLOSS: G10



- NOTES:
- UNLESS OTHERWISE SPECIFY TOLERANCE IS ±1.0mm.
 - SYSTEM INTEGRATION COMPANY MUST KEEP MODULE UP AND DOWN DIRECTION.
 - IF THE MOUNTING AREA POSITION, NO MARK AREA CAN'T BE CLIPPED.
 - SUGGEST MOUNTING AREA POSITION. NO MARK AREA CAN'T BE CLIPPED.
 - COF POSITION (SI MECHANICAL STRUCTURE SHOULD NOT TOUCH THE POSITIONS OF COF).
 - STANDOFF TYPE :
STANDOFF A: M2, PITCH=0.4/MACHINE, MAX. TORQUE=3 KGF-CM, MAX. DEPTH=1.5mm.
STANDOFF B: M2, PITCH=0.4/MACHINE, MAX. TORQUE=3 KGF-CM, MAX. DEPTH=2.4mm.
STANDOFF C: M2, PITCH=0.4/MACHINE, MAX. TORQUE=3 KGF-CM, MAX. DEPTH=4.6mm.
 - IF YOU OVERLAP THE SCREW HOLES OF THE REAR COVER.
 - THE WIRE AND FFC CABLES OF THE SYSTEM INTEGRATION COMPANY CAN'T BE UNDER THE POWER PCB.
 - SURFACE TREATMENT BEZEL:COLOR:BLACK
BEZEL:GLOSS:G10



- NOTES:
- UNLESS OTHERWISE SPECIFY TOLERANCE IS $\pm 1.0\text{mm}$.
 - SYSTEM INTEGRATION COMPANY MUST KEEP MODULE UP AND DOWN DIRECTION ON THE DRAWING TO DESIGN TV SET.
 - ☒ : SUGGEST MOUNTING AREA POSITION. NO MARK AREA CAN'T BE CLIPPED.
 - ☒ : SUGGEST MOUNTING AREA POSITION. NO MARK AREA CAN'T BE CLIPPED.
 - ☒ : COF POSITION (SI MECHANICAL STRUCTURE SHOULD NOT TOUCH THE POSITIONS OF COF).
 - STANDOFF A: M2, PITCH=0.4/MACHINE, MAX. TORQUE=3 KGF-CM, MAX. DEPTH=1.5mm.
 - STANDOFF B: M2, PITCH=0.4/MACHINE, MAX. TORQUE=3 KGF-CM, MAX. DEPTH=2.4mm.
 - STANDOFF C: M2, PITCH=0.4/MACHINE, MAX. TORQUE=3 KGF-CM, MAX. DEPTH=4.6mm.
 - THE WIRE AND FCC CABLES OF THE SYSTEM INTEGRATION COMPANY CAN'T OVERLAP THE SCREW HOLES OF THE REAR COVER.
 - THE WIRE AND FCC CABLES OF THE SYSTEM INTEGRATION COMPANY CAN'T BE UNDER THE POWER PGBA.
 - SRE: TYPICAL
 - BEZEL COLOR: BLACK
 - GLOSS: 910

Our company network supports you worldwide with offices in Germany, Austria, Switzerland, the UK and the USA. For more information please contact:

Headquarters

Germany



FORTEC Elektronik AG

Augsburger Str. 2b
82110 Germering

Phone: +49 89 894363-0
E-Mail: sales@fortecag.de
Internet: www.fortecag.de

Fortec Group Members

Austria



FORTEC Elektronik AG

Office Vienna

Nuschinggasse 12
1230 Wien

Phone: +43 1 8673492-0
E-Mail: office@fortec.at
Internet: www.fortec.at

Germany



Distec GmbH

Augsburger Str. 2b
82110 Germering

Phone: +49 89 894363-0
E-Mail: info@distec.de
Internet: www.distec.de



FORTEC Elektronik AG

Lechwiesenstraße 9
86899 Landsberg am Lech

Phone: +49 8191 91172-0
E-Mail: sales@fortecag.de
Internet: www.fortecag.de

Switzerland



ALTRAC AG

Bahnhofstraße 3
5436 Würenlos

Phone: +41 44 7446111
E-Mail: info@altrac.ch
Internet: www.altrac.ch

United Kingdom



Display Technology Ltd.

Osprey House, 1 Osprey Court
Hichingbrooke Business Park
Huntingdon, Cambridgeshire, PE29 6FN

Phone: +44 1480 411600
E-Mail: info@displaytechnology.co.uk
Internet: www.displaytechnology.co.uk

USA



Apollo Display Technologies, Corp.

87 Raynor Avenue,
Unit 1 Ronkonkoma,
NY 11779

Phone: +1 631 5804360
E-Mail: info@apolloDisplays.com
Internet: www.apolloDisplays.com