



OUR GLOBAL
COMPETENCE
CENTRES

 APOLLO DISPLAY
TECHNOLOGIES



 DISTEC



 DISPLAY
TECHNOLOGY



Datasheet

Disea

NK !H\$+\$GK <!\$' D

ÖÖÉí ÈÈ€



PRODUCT SPECIFICATIONS

For Customer: _____

: APPROVAL FOR SPECIFICATION

Customer Model No. _____

: APPROVAL FOR SAMPLE

Module No.: ZW-T070SWH-03P

Date : 2015-08-06

Table of Contents

No.	Item	Page
1	Cover Sheet(Table of Contents)	
2	Revision Record	
3	General Specifications	
4	Outline Drawing	
5	Absolute Maximum Ratings	
6	Electrical Specifications	
7	Optical Characteristics	
8	Reliability Test Items and Criteria	
9	Precautions for Use of LCD Modules	

For Customer's Acceptance:

Approved By	Comment

PREPARED	CHECKED	VERIFIED BY QA DEPT	VERIFIED BY R&D DEPT
mma	john		Dmjaing

2. Revision Record

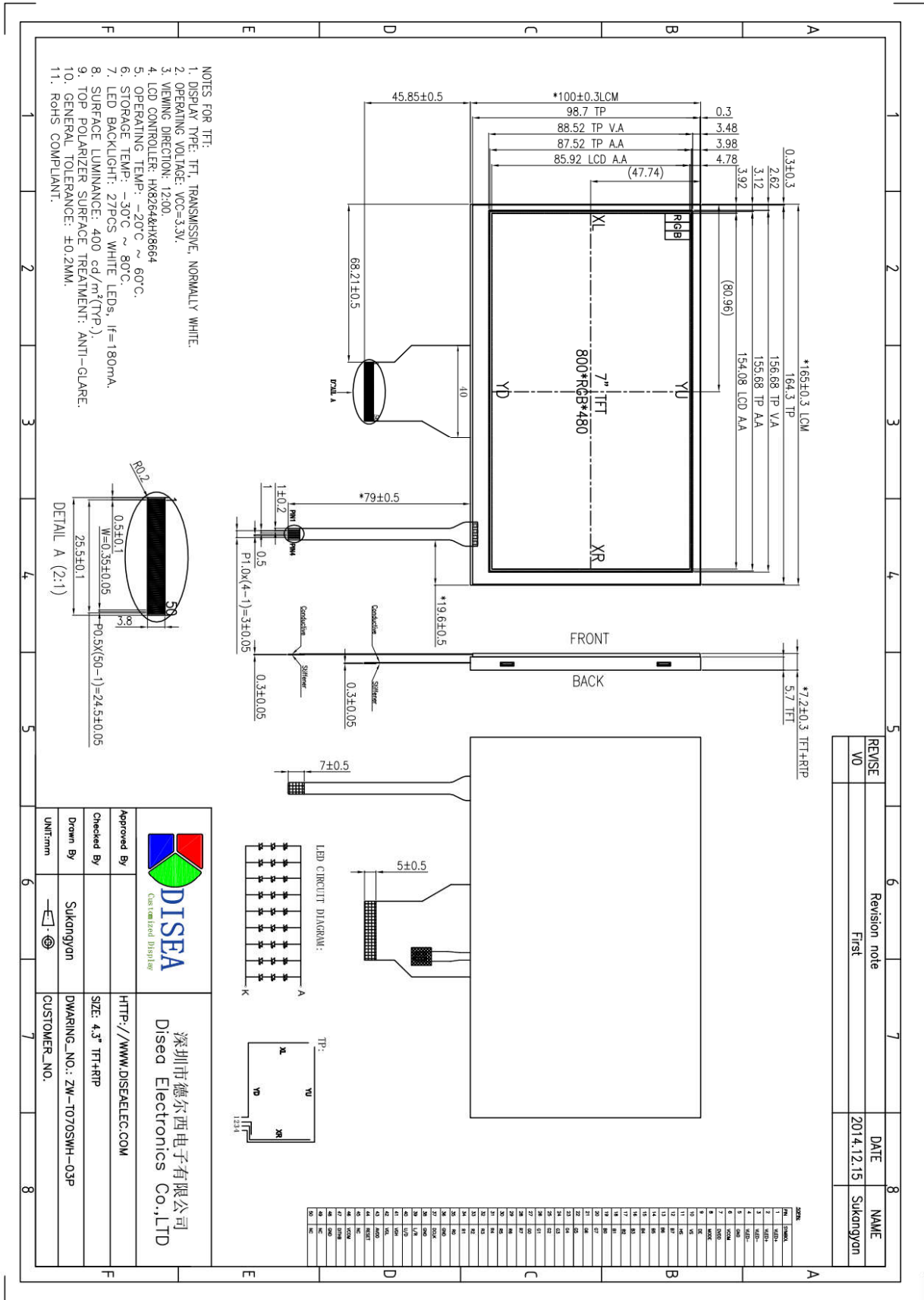
Date	Rev.No.	Page	Revision Items	Prepared
2015-08-06	V0		The first release	MMA

3. General Specifications

ZW-T070SWH-03P is a TFT-LCD module. It is composed of a TFT-LCD panel, driver IC, FPC, TP, a back light unit. The 7.0" display area contains 800x480 pixels and can display up to 16.7M colors. This product accords with RoHS environmental criterion.

Item	Contents	Unit	Note
LCD Type	TFT/Transmissive/Normally White	-	
Display color	16.7M		
Viewing Direction	12:00	O'Clock	
Gray scale inversion direction	6:00	O'Clock	
Operating temperature	-20~+70	°C	
Storage temperature	-30~+80	°C	
Module size	165x100x7.2	mm	
Active Area(W×H)	154.08X85.92	mm	
Number of Dots	800×480	dots	
LCD Controller	HX8664&HX8264	-	
Power Supply Voltage	3.3	V	
Backlight	27-LEDs (white)	pcs	
Weight	---	g	
Interface	RGB888	-	

4.Outline.Drawing



- NOTES FOR TFT:
1. DISPLAY TYPE: TFT, TRANSMISSIVE, NORMALLY WHITE.
 2. OPERATING VOLTAGE: VCC=3.3V.
 3. VIEWING DIRECTION: 12:00.
 4. LCD CONTROLLER: HX8264&HX8664
 5. OPERATING TEMP: -20°C ~ 60°C.
 6. STORAGE TEMP: -30°C ~ 80°C.
 7. LED BACKLIGHT: 27PCS WHITE LEDs, If=180mA.
 8. SURFACE LUMINANCE: 400 cd/m²(TYP.).
 9. TOP POLARIZER SURFACE TREATMENT: ANTI-GLARE.
 10. GENERAL TOLERANCE: ±0.2MM.
 11. ROHS COMPLIANT.

		深圳市德尔西电子有限公司 Disea Electronics Co.,LTD	
Approved By		HTTP://WWW.DISEA.ELEC.COM	
Checked By		SIZE: 4.3" TFT+RTP	
Drawn By	Sukongyan	DWARING_NO.: ZW-T0705WH-03P	
UNIT:mm		CUSTOMER_NO.	

REVISION	Revision note	DATE	NAME
V0	First	2014.12.15	Sukongyan

5. Absolute Maximum Ratings($T_a=25^\circ\text{C}$)

5.1 Electrical Absolute Maximum Ratings.($V_{SS}=0\text{V}$, $T_a=25^\circ\text{C}$)

Item	Symbol	Min.	Max.	Unit	Note
Power Supply Voltage	DVDD	-0.3	5.0	V	1, 2
	AVDD	6.5	13.5		
	VGH	-0.3	40.0		
	VGL	-20	0.3		
	$V_{GH}-V_{GL}$	-	40.0		

Notes:

1. If the module is above these absolute maximum ratings. It may become permanently damaged. Using the module within the following electrical characteristic conditions are also exceeded, the module will malfunction and cause poor reliability.
2. $V_{DVDD} > V_{SS}$ must be maintained.
3. Please be sure users are grounded when handing LCD Module.

5.2 Environmental Absolute Maximum Ratings.

Item	Storage		Operating		Note
	MIN.	MAX.	MIN.	MAX.	
Ambient Temperature	-30°C	80°C	-20°C	70°C	1,2
Humidity	-	-	-	-	3

1. The response time will become lower when operated at low temperature.
2. Background color changes slightly depending on ambient temperature.
The phenomenon is reversible.
3. $T_a < 40^\circ\text{C}$: 85%RH MAX.
 $T_a > 40^\circ\text{C}$: Absolute humidity must be lower than the humidity of 85%RH at 40°C .

6. Electrical Specifications and Instruction Code

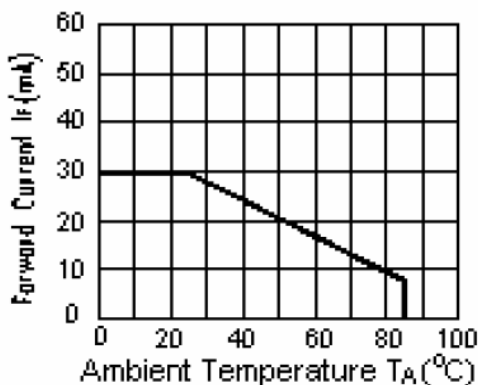
6.1 Electrical characteristics ($V_{SS}=0V, T_a=25^\circ C$)

Parameter	Symbol	Condition	Min	Typ	Max	Unit	Note	
Power supply	DVDD	$T_a=25^\circ C$	3.0	3.3	3.6	V		
	AVDD		10.2	10.4	10.6			
	VGH		15.3	16.0	16.7			
	VHL		-7.7	-7.0	-6.3			
Input signal voltage	VCOM	$T_a=25^\circ C$	2.8	-	4.8	V		
Input voltage	'H'	V_{IH}	DVDD=3.3V	0.7DVDD	-	DVDD	V	
	'L'	V_{IL}	DVDD=3.3V	0	-	0.3DVDD	V	
Current Consumption	I_{DVDD1}	Normal mode	-	-	-	mA	2	
	I_{DVDD2}	Sleep mode	-	-	-	mA	2	
Clock Frequency	f_{CLK}	-	-	-	-	MHz		

Note: 1: Tested in 1×1 chessboard pattern.

6.2 LED backlight specification ($V_{SS}=0V, T_a=25^\circ C$)

Item	Symbol	Condition	Min	Typ	Max	Unit	Note
Supply voltage	V_f	$I_f=180mA$	8.0	9.0	10.0	V	
Uniformity	ΔBp	$I_f=180mA$	75	-	-	%	
LED life time	-	$I_f=180mA$	30k	50k			



I_{LED} VS TEMP

6.3 Interface signals

Pin No.	Symbol	I/O	Function
1-2	VLED+	P	LED back light(Anode)
3-4	VLED-	P	LED back light(Cathode)
5	GND	P	Ground.
6	VCOM	P	Commom voltage
7	DVDD	P	Power supply
8	MODE	I	DE/YSNC mode select
9	DE	I	Data enable pin
10	VS	I	Frame sync signal
11	HS	I	Line sync signal
12-19	B7~B0	I	Blue data bus
20-27	G7~G0	I	Green data bus
28-35	R7~R0	I	Red data bus
36	GND	P	Ground.
37	DCLK	I	Data clock
38	GND	P	Ground.
39	L/R	I	Right/Left sequence control of source driver
40	U/D	I	Gate driver Up/Down scan control of gate driver
41	VGH	P	Gate on voltage
42	VGL	P	Gate off voltage
43	AVDD	P	power for analog circuit
44	RESET	I	Reset the display
45	NC	-	No connection.
46	VCOM	P	Commom voltage
47	DITHB	I	Dithering function enable control. Normally pull high. DITHB=1, enable disable internal dithering function. DITHB =0,disable internal dithering function.
48	GND	P	Ground
49-50	NC	-	No connection.

TP PIN:

Pin No.	Symbol	I/O	Function
1	XL	O	Touch panel control pin
2	YD	O	
3	XR	O	
4	YU	O	

6.4 Timing

- **Horizontal Timing**

Parameter	Symbol	Spec.			Unit
		Min.	Typ.	Max.	
Horizontal Display Area	thd	-	800	-	DCLK
DCLK frequency	fclk	-	33.3	50	MHz
One Horizontal Line	th	862	1056	1200	DCLK
HS pulse width (Min.)	thpw	1			DCLK
HS pulse width (Typical.)	thpw	-			DCLK
HS pulse width (Max.)	thpw	40			DCLK
HS Back Porch (Blanking)	thb	46	46	46	DCLK
HS Front Porch	thfp	16	210	354	DCLK
DE mode Blanking	th-thd	45	256	400	DCLK

- **Vertical Timing**

Parameter	Symbol	Spec.			Unit
		Min.	Typ.	Max.	
Vertical Display Area	tvd	480			TH
VS period time	tv	510	525	650	TH
VS pulse width	tvpw	1	-	20	TH
VS Back Porch (Blanking)	tvb	23	23	23	TH
VS Front Porch	tvfp	7	22	147	TH
DE mode Blanking	tv-tvd	4	45	170	TH

6.5 AC Characteristics

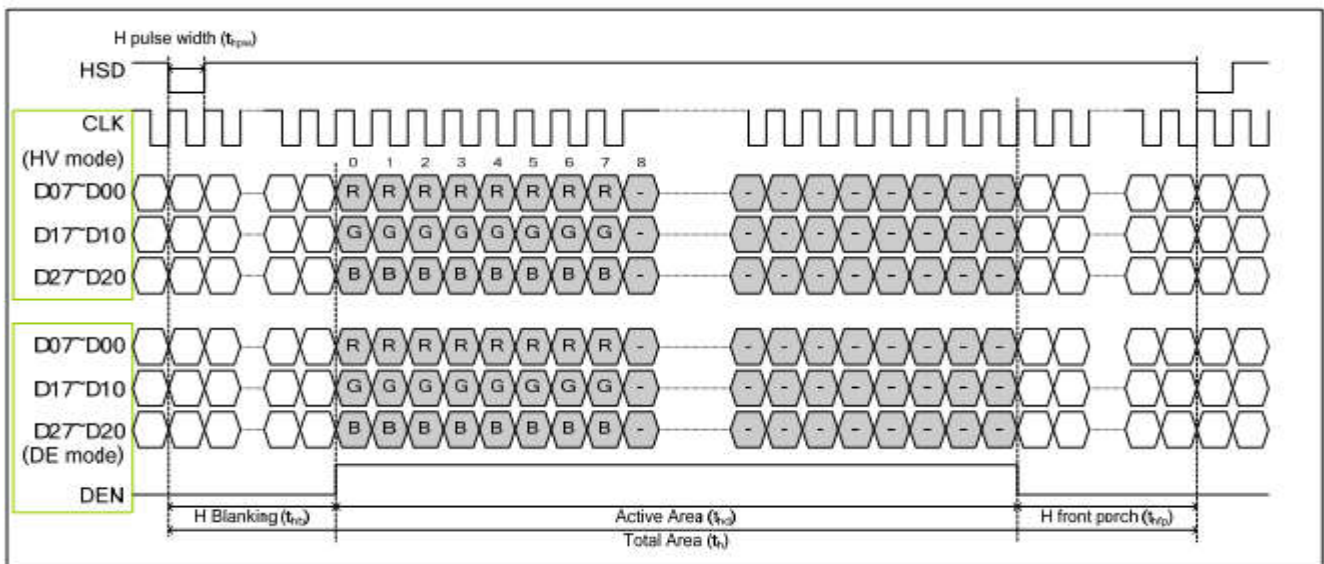
Parameter	Symbol	Spec.			Unit
		Min.	Typ.	Max.	
HS setup time	Thst	8	-	-	ns
HS hold time	Thhd	8	-	-	ns
VS setup time	Tvst	8	-	-	ns
VS hold time	Tvhd	8	-	-	ns
Data setup time	Tdsu	8	-	-	ns
Data hold time	Tdhd	8	-	-	ns
DE setup time	Tesu	8	-	-	ns
DE hold time	Tehd	8	-	-	ns
VDD Power On Slew rate	TPOR	-	-	20	ms
RSTB pulse width	TRst	10	-	-	μs
CLKIN cycle time	Tcph	20	-	-	ns
CLKIN pulse duty	Tcwh	40	50	60	%
Output stable time	Tsst	-	-	6	μs

•Parallel 24-bit RGB Mode

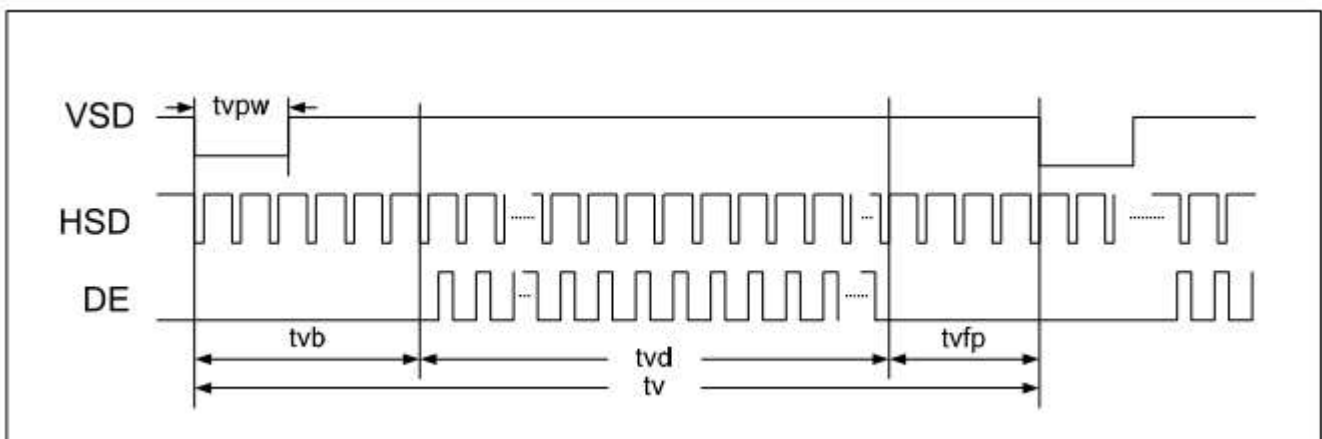
Parameter	Symbol	Spec.			Unit	Conditions
		Min.	Typ.	Max.		
CLKIN Frequency	Fclk	-	40	50	MHz	VDD = 3.0V ~ 3.6V
CLKIN Cycle Time	Tclk	20	25	-	ns	-
CLKIN Pulse Duty	Tcwh	40	50	60	%	Tclk
Time from HSD to Source Output	Thso	-	20	-	CLKIN	-
Time from HSD to LD	Thld	-	20	-	CLKIN	-
Time from HSD to STV	Thstv	-	2	-	CLKIN	-
Time from HSD to CKV	Thckv	-	20	-	CLKIN	-
Time from HSD to OEV	Thoev	-	4	-	CLKIN	-
LD Pulse Width	Twld	-	10	-	CLKIN	-
CKV Pulse Width	Twckv	-	66	-	CLKIN	-
OEV Pulse Width	Twoev	-	74	-	CLKIN	-

6.6 Data Input format

a. Horizontal Timing

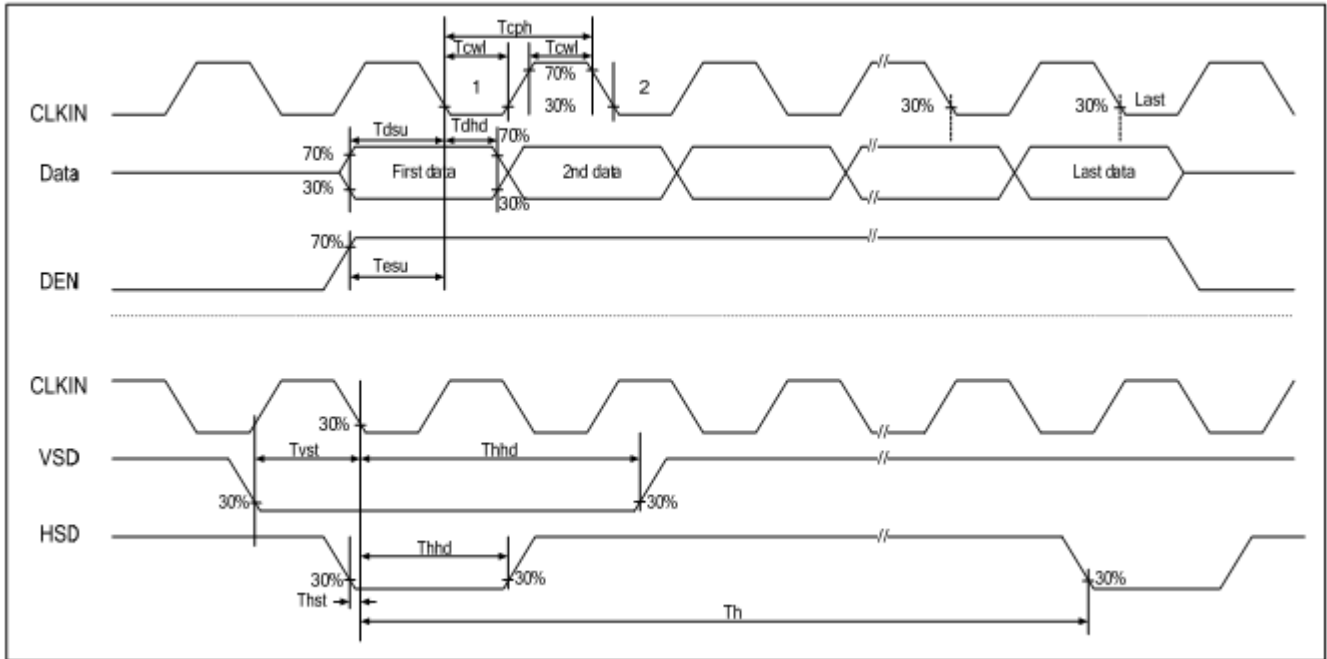


b. Vertical Timing

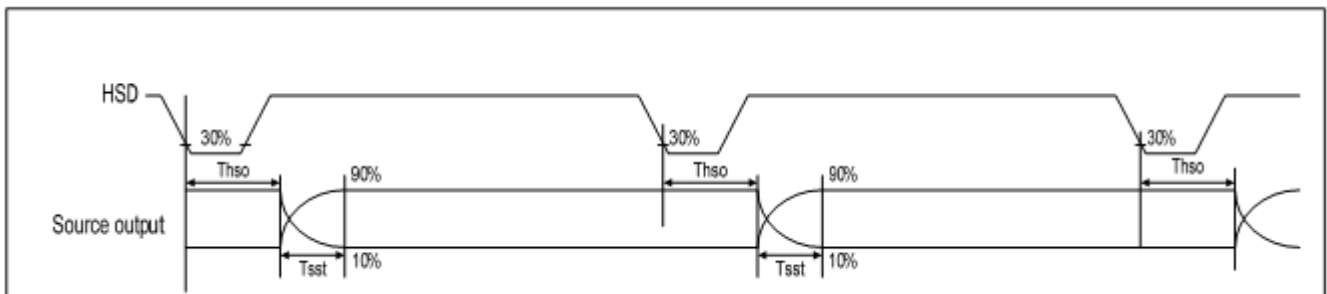


6.7 Timing diagram

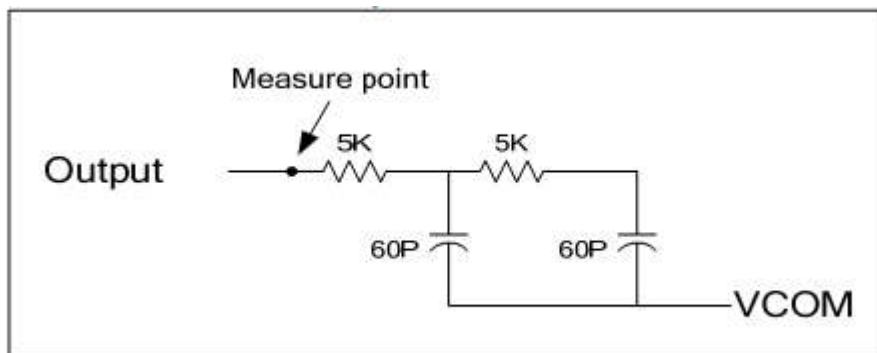
6.7.1 Input clock and data timing waveform



6.7.3 Source output timing waveform



6.7.3 Output load condition



7. Optical Characteristics

Item	Symbol	Condition	Min.	Typ.	Max.	Unit	Note
Brightness	Bp	$\theta=0^\circ$	300	400	-	Cd/m ²	1
Uniformity	ΔBp	$\Phi=0^\circ$	75	-	-	%	1,2
Viewing Angle	3:00	Cr \geq 10	55	65	-	Deg	3
	6:00		45	55	-		
	9:00		55	65	-		
	12:00		55	65	-		
Contrast Ratio	Cr	$\theta=0^\circ$ $\Phi=0^\circ$	400	500	-	-	4
Response Time	T _r		-	10	20	ms	5
	T _f		-	15	30	ms	
Color of CIE Coordinate (± 0.03)	W	x	-0.05	0.315	+0.05	-	1,6
		y		0.334		-	
	R	x	-	-	-	-	
		y	-	-	-	-	
	G	x	-	-	-	-	
		y	-	-	-	-	
	B	x	-	-	-	-	
		y	-	-	-	-	
NTSC Ratio	S		-	-	-	%	

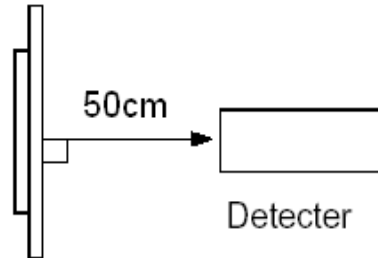
Note: The parameter is slightly changed by temperature, driving voltage and materiel

Note 1: The data are measured after LEDs are turned on for 5 minutes. LCM displays full white. The brightness is the average value of 9 measured spots. Measurement equipment BM-7 ($\Phi 5\text{mm}$)

Measuring condition:

- *Measuring surroundings: Dark room.*
- *Measuring temperature: Ta=25 °C.*
- *Adjust operating voltage to get optimum contrast at the center of the display.*

Measured value at the center point of LCD panel after more than 5 minutes while backlight turning on.

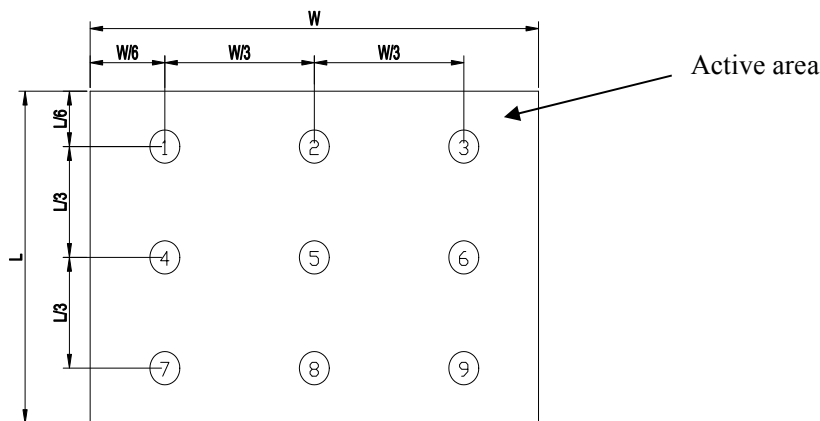


Note 2: The luminance uniformity is calculated by using following formula.

$$\Delta Bp = Bp (\text{Min.}) / Bp (\text{Max.}) \times 100 (\%)$$

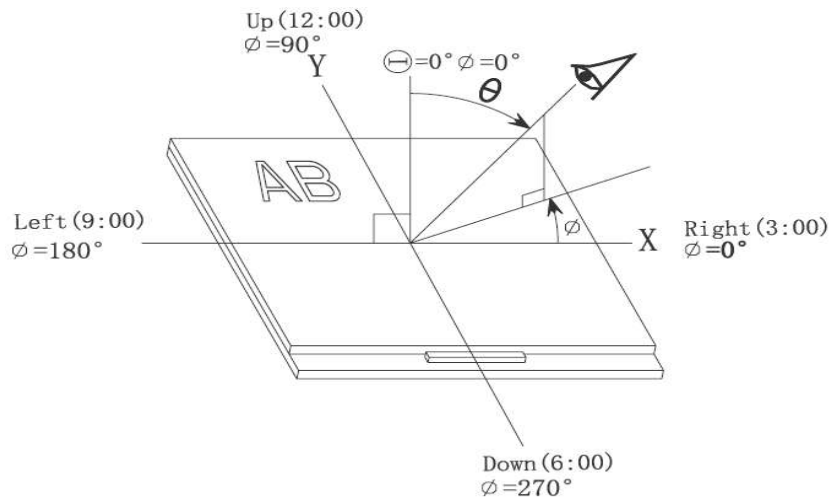
$Bp (\text{Max.})$ = Maximum brightness in 9 measured spots

$Bp (\text{Min.})$ = Minimum brightness in 9 measured spots.

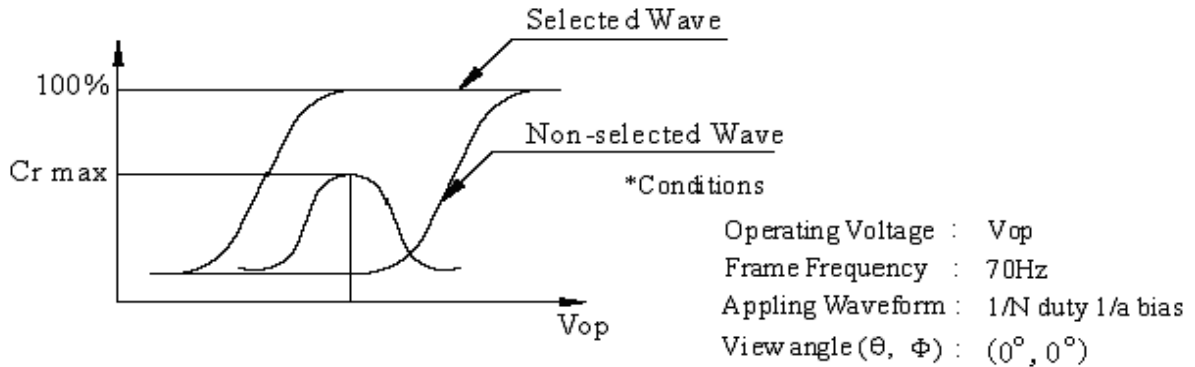


Note 3: The definition of viewing angle:

Refer to the graph below marked by ϑ and ϕ



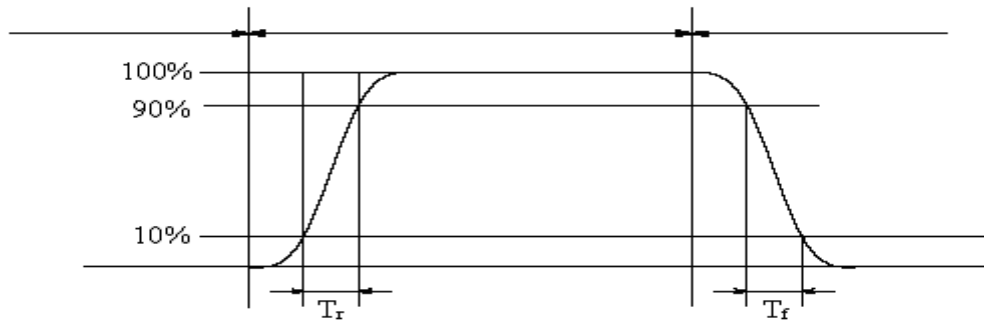
Note 4: Definition of contrast ratio.(Test LCD using DMS501)



$$\text{Contrast ratio}(Cr) = \frac{\text{Brightness of selected dots}}{\text{Brightness of non-selected dots}}$$

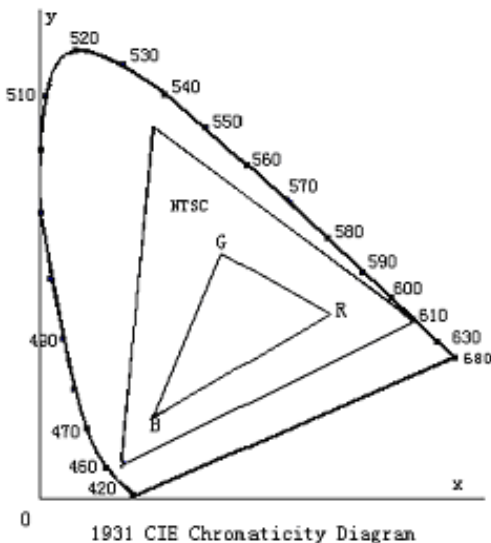
Note 5: Definition of Response time. (Test LCD using DMS501):

The output signals of photo detector are measured when the input signals are changed from "black" to "white"(falling time) and from "white" to "black"(rising time), respectively. The response time is defined as the time interval between the 10% and 90% of amplitudes.Refer to figure as below.



The definition of response time

Note 6: Definition of Color of CIE Coordinate and NTSC Ratio.

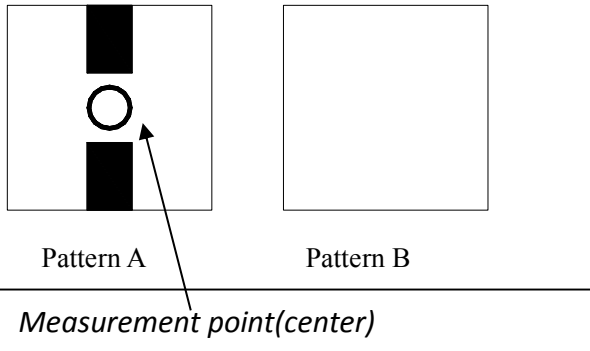


Color gamut:

$$S = \frac{\text{area of RGB triangle}}{\text{area of NTSC triangle}} \times 100\%$$

Note 7: Definition of cross talk.

Cross talk ratio(%)=|pattern A Brightness-pattern B Brightness|/pattern A Brightness*100



Electric volume value=3F+/-3Hex

8. Reliability Test Items and Criteria

No	Test Item	Test condition	Criterion
1	High Temperature Storage	80°C±2°C 96H Restore 2H at 25°C Power off	1. After testing, cosmetic and electrical defects should not happen. 2. Total current consumption should not be more than twice of initial value.
2	Low Temperature Storage	-30°C±2°C 96H Restore 2H at 25°C Power off	
3	High Temperature Operation	70°C±2°C 96H Restore 2H at 25°C Power on	
4	Low Temperature Operation	-20°C±2°C 96H Restore 4H at 25°C Power on	
5	High Temperature/Humidity Operation	60°C±2°C 90%RH 96H Power on	
6	Temperature Cycle	$-30^{\circ}\text{C} \xrightarrow{\hspace{2cm}} 80^{\circ}\text{C}$ 30min 5min 30min after 5 cycle, Restore 2H at 25°C Power off	

Note: Operation: Supply 3.3V for logic system.

The inspection terms after reliability test, as below

ITEM	Inspection
Contrast	CR>50%
IDD	IDD<200%
Brightness	Brightness>60%
Color Tone	Color Tone+/-0,05

9. Precautions for Use of LCD Modules

9.1 Handling Precautions

9.1.1 *The display panel is made of glass. Do not subject it to a mechanical shock by dropping it from a high place, etc.*

9.1.2 *If the display panel is damaged and the liquid crystal substance inside it leaks out, be sure not to get any in your mouth, if the substance comes into contact with your skin or clothes, promptly wash it off using soap and water.*

9.1.3 *Do not apply excessive force to the display surface or the adjoining areas since this may cause the color tone to vary.*

9.1.4 *The polarizer covering the display surface of the LCD module is soft and easily scratched. Handle this polarizer carefully.*

9.1.5 *If the display surface is contaminated, breathe on the surface and gently wipe it with a soft dry cloth. If still not completely clear, moisten cloth with one of the following solvents:*

— Isopropyl alcohol — Ethyl alcohol

Solvents other than those mentioned above may damage the polarizer. Especially, do not use the following:

— Water — Ketone — Aromatic solvents

9.1.6 *Do not attempt to disassemble the LCD Module.*

9.1.7 *If the logic circuit power is off, do not apply the input signals.*

9.1.8 *To prevent destruction of the elements by static electricity, be careful to maintain an optimum work environment.*

a. Be sure to ground the body when handling the LCD Modules.

b. Tools required for assembly, such as soldering irons, must be properly ground.

c. To reduce the amount of static electricity generated, do not conduct assembly and other work under dry conditions.

d. The LCD Module is coated with a film to protect the display surface. Be care when peeling off this protective film since static electricity may be generated.

9.2 Storage precautions

9.2.1 *When storing the LCD modules, avoid exposure to direct sunlight or to the light of fluorescent lamps.*

9.2.2 *The LCD modules should be stored under the storage temperature range. If the LCD modules will be stored for a long time, the recommend condition is:*

Temperature : 0 °C ~ 40 °C

Relatively humidity: ≤80%

9.2.3 *The LCD modules should be stored in the room without acid, alkali and harmful gas.*

9.3 *The LCD modules should be no falling and violent shocking during transportation, and also should avoid excessive press, water, damp and sunshine.*

END

Our company network supports you worldwide with offices in Germany, Austria, Switzerland, the UK and the USA. For more information please contact:

Headquarters

Germany



FORTEC Elektronik AG

Augsburger Str. 2b
82110 Germering

Phone: +49 89 894450-0
E-Mail: info@forteca.de
Internet: www.forteca.de

Fortec Group Members

Austria



Distec GmbH Office Vienna

Nuschinggasse 12
1230 Wien

Phone: +43 1 8673492-0
E-Mail: info@distec.de
Internet: www.distec.de

Germany



Distec GmbH

Augsburger Str. 2b
82110 Germering

Phone: +49 89 894363-0
E-Mail: info@distec.de
Internet: www.distec.de

Switzerland



ALTRAC AG

Bahnhofstraße 3
5436 Würenlos

Phone: +41 44 7446111
E-Mail: info@altrac.ch
Internet: www.altrac.ch

United Kingdom



Display Technology Ltd.

Osprey House, 1 Osprey Court
Hichingbrooke Business Park
Huntingdon, Cambridgeshire, PE29 6FN

Phone: +44 1480 411600
E-Mail: info@displaytechnology.co.uk
Internet: www.displaytechnology.co.uk

USA



Apollo Display Technologies, Corp.

87 Raynor Avenue,
Unit 1 Ronkonkoma,
NY 11779

Phone: +1 631 5804360
E-Mail: info@apolloDisplays.com
Internet: www.apolloDisplays.com