

OUR GLOBAL COMPETENCE CENTRES



 APOLLO DISPLAY
TECHNOLOGIES



 DISTEC



 DISPLAY
TECHNOLOGY



FORTEC
ELEKTRONIK AG

TEST & CERTIFICATION **VACUBOND**[®]



FORTEC
ELEKTRONIK AG

TEST AND CERTIFICATION VACUBOND®

DISTEC'S VACUBOND® TECHNOLOGY HAS SUCCESSFULLY PASSED THE FOLLOWING TESTS AND CERTIFICATIONS IN CUSTOMER APPLICATIONS

- **Humidity test according to railway standard EN50155 / LESDB**

Damp heat test

3 cycles per 24h. Storage at +55°C and 95%-100% relative humidity,

Lowered to +25°C in 3h at 90%-95% relative humidity

Function test after 24h

Vibration & shock

- **Vibration and shock test according to railway standard**

Requirements according to: IEC 60571

Tested according to: EN 61373, category 1, class B

- **Environmental Test**

DIN 60068-2-1 Ab: -40°C / 504h, + 80°C / 504h

DIN 60068-2-14 Nb: -40°C / 30 min...+ 80°C / 30 min; 10 K/min. temperature change, 100 cycles

DIN 60068-2-78 Ca: + 60°C, 95 % relative humidity, 504 h

TEST AND CERTIFICATION VACUBOND®

OPTαGEL® MEETS FMVSS (FEDERAL MOTOR VEHICLE SAFETY STANDARD) NO. 302

*Sample: OPTaGEL K120E t0.8mm

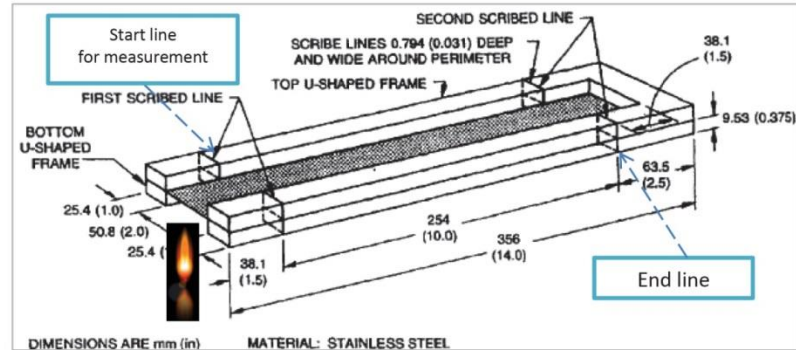
*Test equipment: MVSS-2 (Suga Test Instrument Co., Ltd.)

*Environmental condition: Temp: 21 deg. C, Humidity: 47%

Test results: Passed (“Self-Extinguishing”) (i.e. Flame never reached Start line for measurement)

Test conducted by: CERl (Chemicals Evaluation and Research Institute, Japan)

Test method & equipment: See images below.



CONTACT FORTEC GROUP

Headquarters

Germany



FORTEC
ELEKTRONIK AG

FORTEC Elektronik AG
Lechwiesenstr. 9
86899 Landsberg am Lech

Phone: +49 8191 91172-0
E-Mail: sales@fortecag.de
Internet: www.fortecag.de

Fortec Group Members

Austria



FORTEC
ELEKTRONIK AG

FORTEC Elektronik AG Office Vienna
Nuschinggasse 12
1230 Wien

Phone: +43 1 8673492-0
E-Mail: office@fortec.at
Internet: www.fortec.at

Germany



DISTEC
A FORTEC GROUP MEMBER

Distec GmbH
Augsburger Str. 2b
82110 Germering

Phone: +49 89 894363-0
E-Mail: info@distec.de
Internet: www.distec.de

Switzerland



ALTRAC
A FORTEC GROUP MEMBER

ALTRAC AG
Bahnhofstraße 3
5436 Würenlos

Phone: +41 44 7446111
E-Mail: info@altrac.ch
Internet: www.altrac.ch

United Kingdom



DISPLAY TECHNOLOGY
A FORTEC GROUP MEMBER

Display Technology Ltd.
Osprey House, 1 Osprey Court
Hichingbrooke Business Park
Huntingdon, Cambridgeshire, PE29 6FN

Phone: +44 1480 411600
E-Mail: info@displaytechnology.co.uk
Internet: www.displaytechnology.co.uk

USA



APOLLO DISPLAY TECHNOLOGIES
A FORTEC GROUP MEMBER

Apollo Display Technologies, Corp.
87 Raynor Avenue,
Unit 1 Ronkonkoma,
NY 11779

Phone: +1 631 5804360
E-Mail: info@apolloDisplays.com
Internet: www.apolloDisplays.com