



OUR GLOBAL
COMPETENCE
CENTRES

 APOLLO DISPLAY
TECHNOLOGIES



 DISTEC



 DISPLAY
TECHNOLOGY



Datasheet

Nexcom

Neu-X100

Fanless and compact industrial Box PC with

Intel® Apollo Lake™ Celeron J3455 / N3350 and Pentium® N4200 Processor



The information contained in this document has been carefully researched and is, to the best of our knowledge, accurate. However, we assume no liability for any product failures or damages, immediate or consequential, resulting from the use of the information provided herein. Our products are not intended for use in systems in which failures of product could result in personal injury. All trademarks mentioned herein are property of their respective owners. All specifications are subject to change without notice.

Microsoft
Azure

Certified



Main Features

- Intel® Apollo Lake N3350/N4200/J3455 processor
- 3.5" MB size as slim chassis design
- Support HDMI2.0 output
- Fanless design
- mini-PCIe slot support Wi-Fi and LTE module

Product Overview

Powered by Intel® Apollo Lake processor, the Neu-X100 fanless embedded player can handle 2 independence display output. The Neu-X100 supports HDMI display, USB 3.0 ports, and a RS232/RS422/RS485 interface, is an ideal embedded player to optimize information visualization, convey brand messages, customer engagement, and smart retail management efficiencies to increase in-store traffic and sales. Also could be applicable as gateway for smart city. The slim fanless design with extended durability further covers usages like endless aisles, QSRs, drive-thru kiosks, bus stops, digital transit information signs, and information stands.

Specifications

CPU Support

- Intel® Apollo Lake N3350 processor (2.40GHz,6W)
- Intel® Apollo Lake N4200 processor (2.50GHz,6W)
- Intel® Apollo Lake J3455 processor (2.30GHz,10W)

Graphic

- Intel® HD Graphics 500 (with N3350/J3455)
- Intel® HD Graphics 505 (with N4200)

Main Memory

- 1 x 204-pin SO-DIMM socket, support up to DDR3L 1866MHz, non-ECC, un-buffered memory up to 8GB

I/O Interface-Front

- 2 x RJ45 with LEDs for Gigabit LAN
- 2 x HDMI 2.0, resolution 4096 x 2160 60Hz
- 1 x COM port (RS232/RS422/RS485)
- 1 x DC-in Jack with lock
- 2 x USB 3.0

I/O Interface-Rear

- 2 x Antenna hole
- 1 x Power button with LED
- 1 x Storage active LED

Internal I/O

- 1 x COM port connector (RS232)
- 1 x Power connector
- 1 x TPM module connector
- 1 x Line out audio connector

Expansion

- 1 x mini-PCIe full-size connector, support Wi-Fi/LTE module
- 1 x SIM slot on board (full-size)

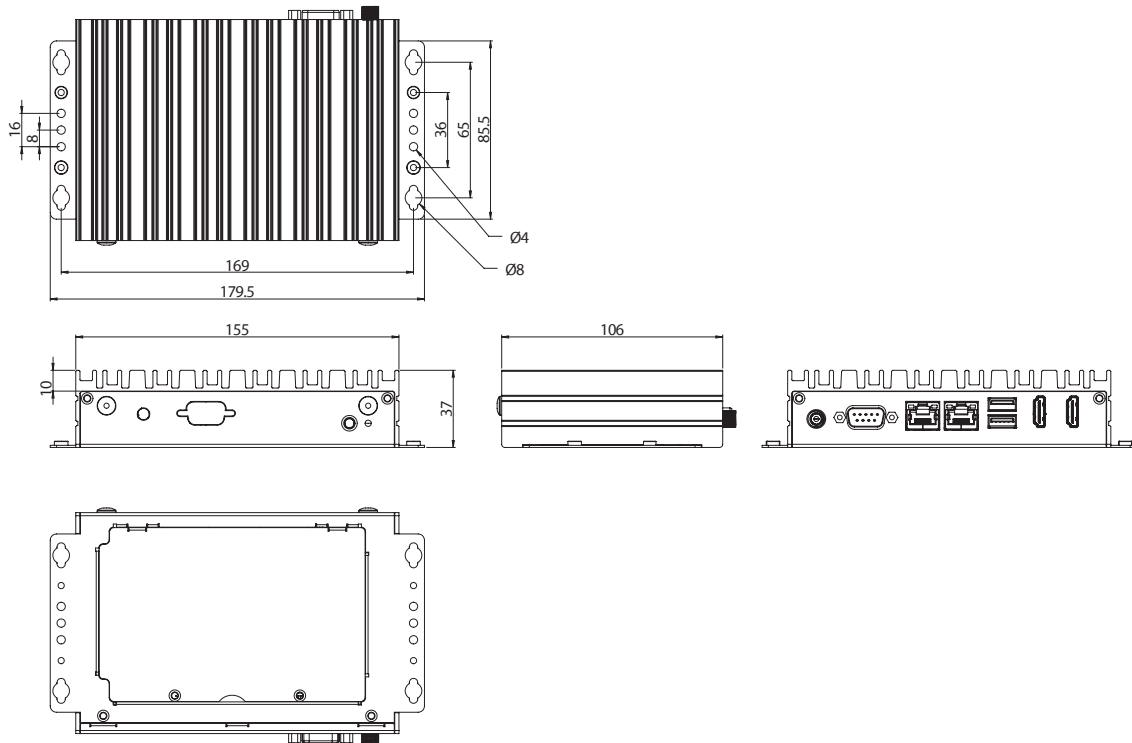
Storage

- 1 x M.2 M key 2242 SSD

Power Supply

- 1 x External 45W AC/DC power adapter with lock
- Input: 100VAC to 240VAC
- Output: DC+19VDC

Dimension Drawing



Environment

- Operating temperature: -5°C to 50°C
- Storage temperature: -20°C to 80°C
- Humidity: 95% (non-condensing)

Certification

- CE (EMC EN55032 + EN55035)
- FCC Class A (EMI Part 15B)

Dimensions

- 155mm (W) x 106mm (D) x 37mm (H)

Operating System

- Win10 64-bit
- Linu x 4.1

Ordering Information

- ♦ **Neu-X100-N3350 (P/N: 10W10X10000X4)**
Intel® Apollo Lake N3350 processor slim and fanless system
- ♦ **Neu-X100-N4200 (P/N: 10W10X10001X4)**
Intel® Apollo Lake N4200 processor slim and fanless system
- ♦ **Neu-X100-J3455 (P/N: 10W10X10002X4)**
Intel® Apollo Lake J3455 processor slim and fanless system

AI Booster Card

- ♦ **AIBooster®-X1 (P/N: 88W10X10000X0)**
Intel® Movidius™ Myriad X VPU, mini-PCIe module (1 x MA2485)
- ♦ **AIBooster®-X2 (P/N: 88W10X10001X0)**
Intel® Movidius™ Myriad X VPU, mini-PCIe module (2 x MA2485)

Our company network supports you worldwide with offices in Germany, Austria, Switzerland, the UK and the USA. For more information please contact:

Headquarters

Germany



FORTEC Elektronik AG

Augsburger Str. 2b
82110 Germering

Phone: +49 89 894450-0
E-Mail: info@fortecag.de
Internet: www.fortecag.de

Fortec Group Members

Austria



Distec GmbH Office Vienna

Nuschinggasse 12
1230 Wien

Phone: +43 1 8673492-0
E-Mail: info@distec.de
Internet: www.distec.de

Germany



Distec GmbH

Augsburger Str. 2b
82110 Germering

Phone: +49 89 894363-0
E-Mail: info@distec.de
Internet: www.distec.de

Switzerland



ALTRAC AG

Bahnhofstraße 3
5436 Würenlos

Phone: +41 44 7446111
E-Mail: info@altrac.ch
Internet: www.altrac.ch

United Kingdom



Display Technology Ltd.

Osprey House, 1 Osprey Court
Hichingbrooke Business Park
Huntingdon, Cambridgeshire, PE29 6FN

Phone: +44 1480 411600
E-Mail: info@displaytechnology.co.uk
Internet: www.displaytechnology.co.uk

USA



Apollo Display Technologies, Corp.

87 Raynor Avenue,
Unit 1 Ronkonkoma,
NY 11779

Phone: +1 631 5804360
E-Mail: info@apolloDisplays.com
Internet: www.apolloDisplays.com