



OUR GLOBAL
COMPETENCE
CENTRES

 APOLLO DISPLAY
TECHNOLOGIES



 DISTEC



 DISPLAY
TECHNOLOGY



Datasheet

iBASE

ASB200-919

Compact BOX PC with 8th Gen. Intel® Core™ U-Series Processor



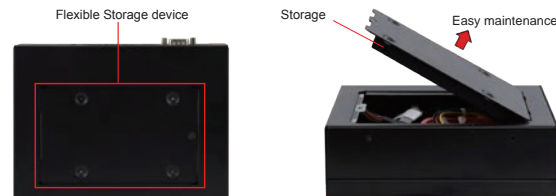
The information contained in this document has been carefully researched and is, to the best of our knowledge, accurate. However, we assume no liability for any product failures or damages, immediate or consequential, resulting from the use of the information provided herein. Our products are not intended for use in systems in which failures of product could result in personal injury. All trademarks mentioned herein are property of their respective owners. All specifications are subject to change without notice.



Rear I/O

Features

- Fanless system with IBASE IB919 3.5" Disk-Size SBC
- Onboard 8th Gen Intel® Core™ U-Series Processor
- Supports 2x M.2 sockets (E-Key, CNVi / M-Key, NVMe)
- 12V(-10%) ~ 24V(+10%) DC-in Power Input
- 2x DDR4 SO-DIMM, Max.32GB
- 4x USB 3.1, 2x Intel® Gigabit LAN
- 1x COM ports, External GPIO
- 2x DP (1 by Type-C), TPM (2.0)
- Optional VESA mount bracket



Specifications

System Mainboard	IB919AF-8665/ IB919AF-8365/ IB919EF-8145/ IB919EF-4305
CPU Type	Intel® Core™ i7 8665UE Processor Intel® Core™ i5 8365UE Processor Intel® Core™ i3 8145UE Processor Intel® Celeron® 4305UE Processor
Memory	2x 8GB DDR4-2666 SO-DIMM, Max.32GB
System Speed	up to 4.4GHz
Construction	Aluminum & steel
Chassis Color	Black
Front Panel External I/O	4x USB 3.1 2x DP 1x DB9 for COM#1 (RS232/422/485) 2x LAN
Rear Panel External I/O	1x Power button 1x Digital I/O (4-in/4-out) 2x Antenna holes 1x HDD LED 1x 3-pin DC-in terminal block for 12V(-10%) ~ 24V(+10%)
Internal Expansion	2x M.2 (E-Key, M-Key)
Mounting	Desktop or wall mount (wall mount kit included) Optional VESA mount kit
Dimensions	180mm(W) x 150mm(D) x 66mm(H) 7.08" (W) x 5.9" (D) x 2.6" (H)
Weight	1.5kg
Operating Temperature	0°C~45°C (32°F~113°F) *with airflow 0.9m/s
Storage Temperature	-20°C ~80°C (-4°F~176°F)
Relative Humidity	5%~90%@45°C (non-condensing)
Vibration	Operating: 3Grms / 5~500Hz
Certification	CE/LVD/FCC Class B

Ordering Information

ASB200-919-i7	Fanless chassis with IB919AF-8665, Intel® i7-8665UE 1.7GHz CPU, 1x COM, 2x 8GB DDR4 memory, 1x 2.5" SATAIII 64GB TLC SSD, w/o 90W power adaptor and VESA mount bracket
ASB200-919-i5	Fanless chassis with IB919AF-8365, Intel® i5-8365UE 1.6GHz CPU, 1x COM, 2x 8GB DDR4 memory, 1x 2.5" SATAIII 64GB TLC SSD, w/o 90W power adaptor and VESA mount bracket
ASB200-919-i3	Fanless chassis with IB919EF-8145, Intel® i3-8145UE 2.2GHz CPU, 1x COM, 2x 8GB DDR4 memory, 1x 2.5" SATAIII 64GB TLC SSD, w/o 90W power adaptor and VESA mount bracket
ASB200-919-CEL	Fanless chassis with IB919EF-4305, Intel® Celeron® 4305UE 2.0GHz CPU, 1x COM, 2x 8GB DDR4 memory, 1x 2.5" SATAIII 64GB TLC SSD, w/o 90W power adaptor and VESA mount bracket
90W power adaptor (optional)	90W (24V@3.75A) power adaptor, DC-jack or bare wire type compatible with IEC62368-1/EN62368-1
Optional Accessories	Wifi antenna kit [PN: SC2ASB2----0A1100R]

Comparison of ASB Series System Width

7.08-inch (180mm)



ASB200-916

7.08-inch (180mm)



ASB200-919

9.44-inch (240mm)



ASB200-918

Comparison of ASB Series System Height

1.65-inch (42mm)



ASB200-918

2.6-inch (66mm)



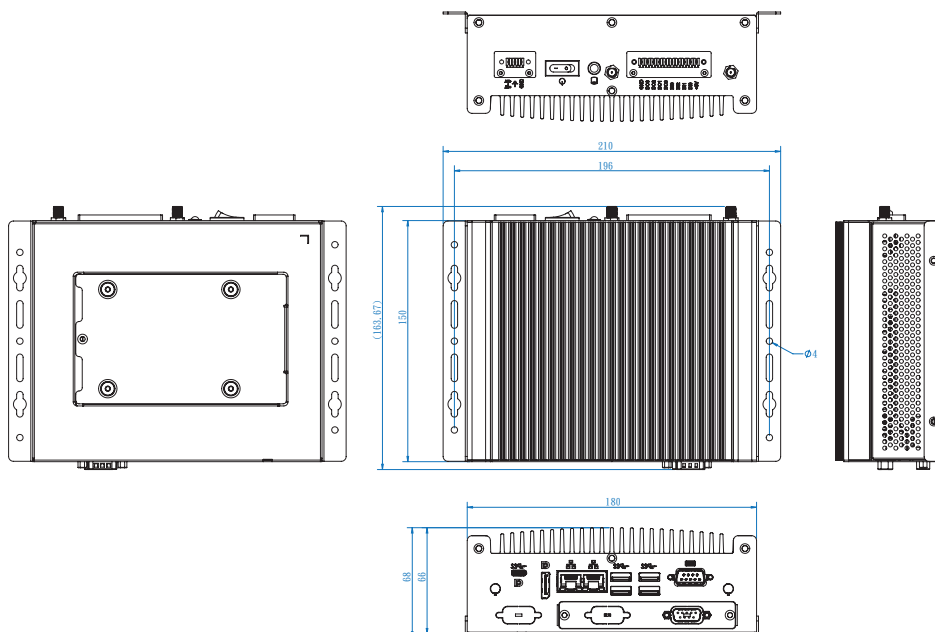
ASB200-919

2.79-inch (71mm)



ASB200-916

Dimensions and Drawing



Our company network supports you worldwide with offices in Germany, Austria, Switzerland, the UK and the USA. For more information please contact:

Headquarters

Germany



FORTEC Elektronik AG

Augsburger Str. 2b
82110 Germering

Phone: +49 89 894363-0
E-Mail: info@fortecag.de
Internet: www.fortecag.de

Fortec Group Members

Austria



Distec GmbH Office Vienna

Nuschinggasse 12
1230 Wien

Phone: +43 1 8673492-0
E-Mail: info@distec.de
Internet: www.distec.de

Germany



Distec GmbH

Augsburger Str. 2b
82110 Germering

Phone: +49 89 894363-0
E-Mail: info@distec.de
Internet: www.distec.de

Switzerland



ALTRAC AG

Bahnhofstraße 3
5436 Würenlos

Phone: +41 44 7446111
E-Mail: info@altrac.ch
Internet: www.altrac.ch

United Kingdom



Display Technology Ltd.

Osprey House, 1 Osprey Court
Hichingbrooke Business Park
Huntingdon, Cambridgeshire, PE29 6FN

Phone: +44 1480 411600
E-Mail: info@displaytechnology.co.uk
Internet: www.displaytechnology.co.uk

USA



Apollo Display Technologies, Corp.

87 Raynor Avenue,
Unit 1 Ronkonkoma,
NY 11779

Phone: +1 631 5804360
E-Mail: info@apolloDisplays.com
Internet: www.apolloDisplays.com