



OUR GLOBAL
COMPETENCE
CENTRES

 APOLLO DISPLAY
TECHNOLOGIES



 DISTEC



 DISPLAY
TECHNOLOGY

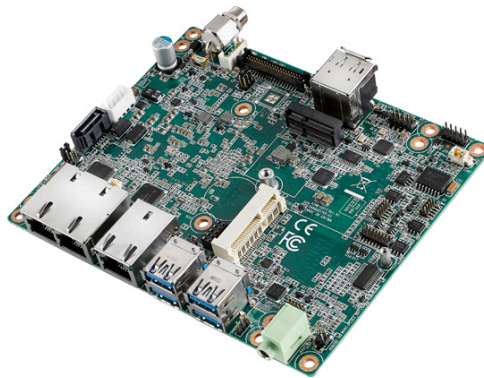


Datasheet

Advantech

AIMB-U217

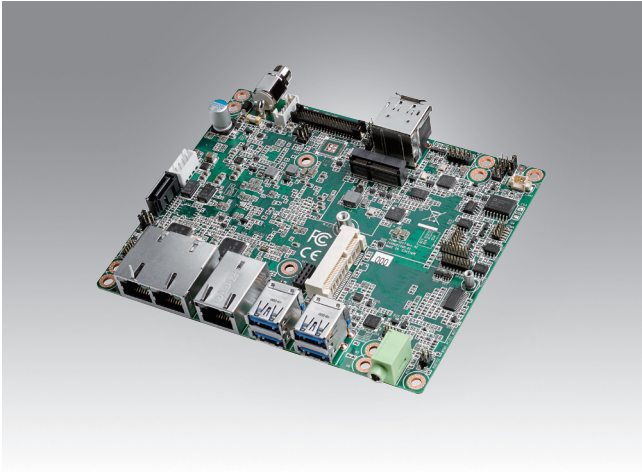
UTX Motherboard with Intel® Apollo Lake Atom™ Quad core E3950/E3940, HDMI/eDP, (LVDS)/DP++, 4x COMs and 3x LANs



The information contained in this document has been carefully researched and is, to the best of our knowledge, accurate. However, we assume no liability for any product failures or damages, immediate or consequential, resulting from the use of the information provided herein. Our products are not intended for use in systems in which failures of product could result in personal injury. All trademarks mentioned herein are property of their respective owners. All specifications are subject to change without notice.

AIMB-U217

Intel® Atom™ E3950/E3940 QC 1.6 GHz UTX Industrial Motherboard with HDMI/eDP (LVDS)/DP++, 4 COMs and 3 LANs



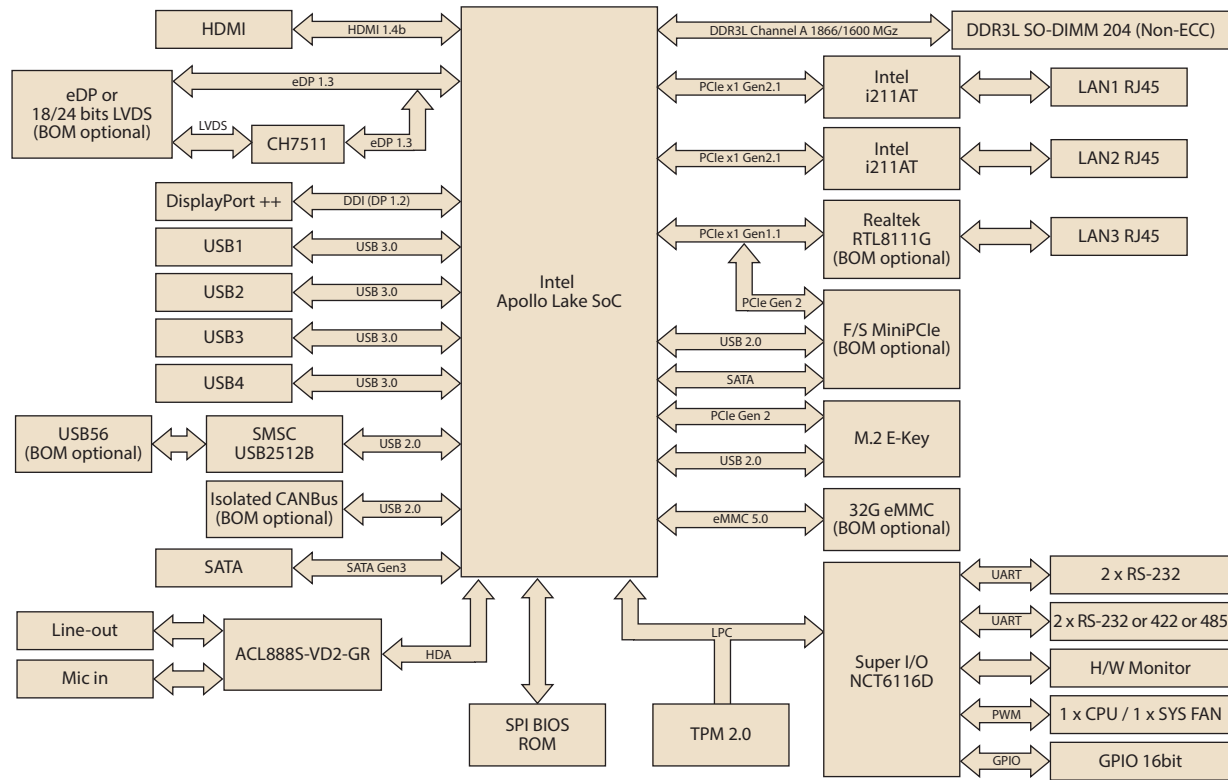
Features

- Supports Intel® Atom™ Quad core E3950/E3940 up to 2.0 / Up to 1.8 GHz processor
- Single 204-pin SO-DIMM up to 8 GB DDR3L 1866 MHz SDRAM
- Supports HDMI/DP++, eDP (co-lay dual-channel 48-bit LVDS)
- Supports 1 Mini-PCIE expansion slot, M.2 E-Key slot, 4 COMs (2 RS-232, 2 RS-232 or 422 or 485), 4 USB 3.0, 3 LANs
- Supports CANBus
- Supports eMMC 32GB on board
- Supports wide DC in 12V to 24V
- Supports wide temperature -20 ~ 70 °C (-4 ~ 158 °F)

Specifications

Processor System	CPU (14nm)	Intel Atom E3950/ E3940
	Max. Speed	Up to 2.0 / Up to 1.8 (Quad Core)
	L2 Cache	2 MB
	BIOS	AMI 128Mb SPI
Expansion Slot	Mini-PCle	F/S Sharing PCIe with LAN3, NO PCIe signal when LAN3 is installed
	M.2	E-Key
Memory	Technology	Singl channel DDR3L 1866MHz SDRAM
	Max. Capacity	8GB
	Socket	1 x 204-pin SO-DIMM (Non-ECC)
Graphics	Controller	Intel Gen 9 Graphics Engines and media encode/decode engine; Graphics Base Frequency: 500 MHz
	HDMI	1, Supports HDMI1.4b up to 3840 x 2160 @ 30Hz
	eDP	1, Supports eDP1.3, max resolution up to 3840 x 2160@60 Hz, Co-lay with LVDS
	LVDS	1, Supports 24-bit dual channel and up to 1920 x 1200, Co-lay with eDP (BOM Optional)
	Displayport	1, Supports DP++ 1.2, max resolution up to 4096 x 2160 @ 60Hz
Ethernet	Interface	10/100/1000 Mbps
	Controller	LAN1/2: Intel i211AT LAN3: Realtek 8111G (BOM optional, Co-lay with Mini-PCle)
	Connector	3, RJ45 (LAN3 is BOM optional)
SATA	Max Data Transfer Rate	600 MB/s (SATA 3.0)
	Channel	1
Rear I/O	HDMI	1
	Displayport	1
	Ethernet	3 (LAN3 is BOM optional)
	USB	4 x USB3.0
	Audio	1 (Line-out)
	DC jack	1 (2.5mm)
Internal Connector	eDP or LVDS (BOM option) & Inverter	1/1
	Serial	2, RS-232 2, RS-232 or RS-422 or RS-485 (BOM optional)
	SATA	1, (SATA 3.0) SATA PWR connector
	USB	2, USB2.0 connector
	16-bit GPIO	1
	Watchdog Timer	Output
Power	Interval	Programmable 1 ~ 255 sec/min
	Single voltage 1	12V ~ 24V DC input; 1 x External DC jack
	Typical Power Consumption	TBC
Environment	Operating	Non-Operating
		-20 ~ 70 °C (-4 ~ 158 °F) -40 ~ 85 °C (-40 ~ 185 °F)
Physical Characteristics	Dimensions	112 x 137 mm (4.4" x 5.4")

Block Diagram



Ordering Information

P/N	CPU	SODIMM	HDMI 1.4b	eDP/LVDS	DP++ 1.2	GbE LAN 1/2/3	32G eMMC	SATA	Isolated CANBUS	RS232	RS232/422/485	USB3.0	USB2.0	M.2	F/S MiniPCle	TPM 2.0
AIMB-U217DZ-FLA1E	E3950	1	1	1/(1)	1	1/1/1, 3 (WGI211AT*2 + Realtek)	1	1	1	2	(2)/ 1/ 1	4	2	1	1	1
AIMB-U217DZ-S6A1E	E3950	1	1	1/(1)	1	1/1/(1), 2 (WGI211AT*2, LAN1&2)	(1)	1	(1)	2	(2)/ 1/ 1	4	2	1	(1)	(1)
AIMB-U217EZ-S6A1E	E3940	1	1	1/(1)	1	1/1/(1), 2 (WGI211AT*2, LAN1&2)	(1)	1	(1)	2	(2)/ 1/ 1	4	2	1	(1)	(1)

*() BOM Options

Packing List

Description	Quantity
SATA HDD cable	1
SATA power cable	1
Serial port cable	4
Startup manual	1
CPU Cooler	1 (On board)

Optional Accessories

Part Number	Description
1960090365T001	Motherboard Heat Sink (eMMC should NOT serve as OS boot device if the motherboard heat sink is installed.)
1700029091-01	CANBus cable

Embedded OS/API

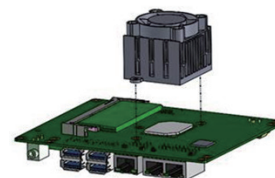
OS/API	Part No.	Description
Win 10	20706WX9HS0027	Windows 10 IoT Enterprise 2019 LTSC 64-bit
Ubuntu 20.04	360SU117000101	Ubuntu V20.04 image of AIMB-U217

I/O View

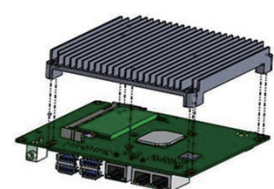


Thermal Solution

CPU Cooler (Default)



Motherboard Heat Sink (Optional)



Our company network supports you worldwide with offices in Germany, Austria, Switzerland, the UK and the USA. For more information please contact:

Headquarters

Germany



FORTEC Elektronik AG

Augsburger Str. 2b
82110 Germering

Phone: +49 89 894450-0
E-Mail: info@forteca.de
Internet: www.forteca.de

Fortec Group Members

Austria



Distec GmbH Office Vienna

Nuschinggasse 12
1230 Wien

Phone: +43 1 8673492-0
E-Mail: info@distec.de
Internet: www.distec.de

Germany



Distec GmbH

Augsburger Str. 2b
82110 Germering

Phone: +49 89 894363-0
E-Mail: info@distec.de
Internet: www.distec.de

Switzerland



ALTRAC AG

Bahnhofstraße 3
5436 Würenlos

Phone: +41 44 7446111
E-Mail: info@altrac.ch
Internet: www.altrac.ch

United Kingdom



Display Technology Ltd.

Osprey House, 1 Osprey Court
Hichingbrooke Business Park
Huntingdon, Cambridgeshire, PE29 6FN

Phone: +44 1480 411600
E-Mail: info@displaytechnology.co.uk
Internet: www.displaytechnology.co.uk

USA



Apollo Display Technologies, Corp.

87 Raynor Avenue,
Unit 1 Ronkonkoma,
NY 11779

Phone: +1 631 5804360
E-Mail: info@apolloDisplays.com
Internet: www.apolloDisplays.com