



OUR GLOBAL  
COMPETENCE  
CENTRES

 APOLLO DISPLAY  
TECHNOLOGIES



 DISTEC



 DISPLAY  
TECHNOLOGY



# Datasheet

## Advantech

### SOM-7569

**COM Express Mini Computer-on-Module with Intel® Apollo Lake Atom™ x5-E3930/x5-E3940/x7-E3950,  
Pentium™ N4200E or Celeron™ N Series N3350E Processor**



---

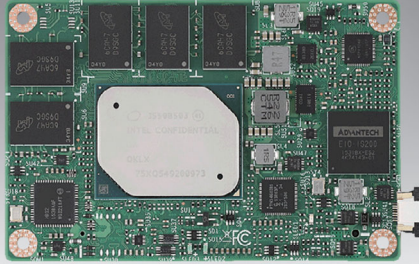
The information contained in this document has been carefully researched and is, to the best of our knowledge, accurate. However, we assume no liability for any product failures or damages, immediate or consequential, resulting from the use of the information provided herein. Our products are not intended for use in systems in which failures of product could result in personal injury. All trademarks mentioned herein are property of their respective owners. All specifications are subject to change without notice.

---

# SOM-7569

## Intel® Atom™ E3900 & Pentium™ and Celeron™ N Series Processors COM-Express Mini Module

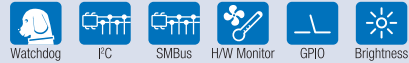
NEW



### Features

- COM R.2.1 Type 10 Mini Module
- Intel® Atom™ E3900 & Pentium™ and Celeron™ N Series Processors
- Max 8GB DDR3L onboard memory (support ECC, E3900 SKU only)
- Dual Display: LVDS, HDMI/DisplayPort
- onboard eMMC(default 32GB), TPM2.0
- Supports H.264/AVC, H.265/HEVC, VP9, VP8 HW DECODE
- Supports -40 ~ 85 °C industrial operating temperature
- iManager and Embedded Software APIs

#### Software APIs:



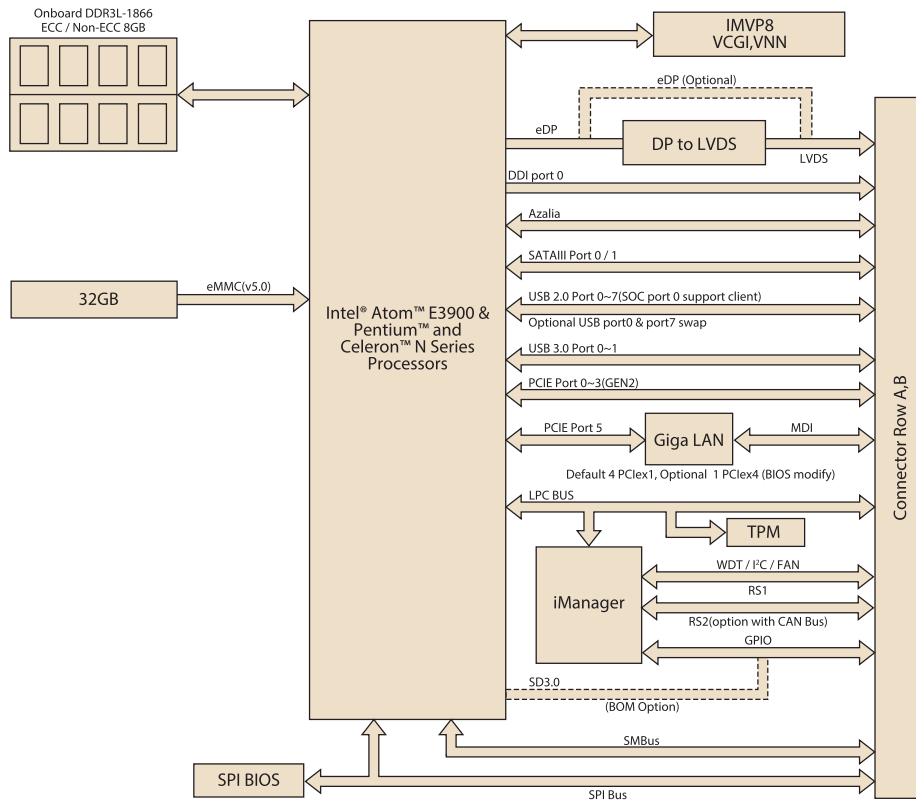
#### Utilities:



### Specifications

Form Factor	Form Factor Pin-out Type	COM-Express 2.1 Mini Module, Type 10 Pin-out				
Processor System	SoC	Atom X7-E3950	Atom X5-E3940	Atom X5-E3930	Pentium N4200E	Celeron N3350E
	Base Frequency	1.6GHz	1.6GHz	1.3GHz	1.1GHz	1.1GHz
	Burst Frequency	2GHz	1.8GHz	1.8GHz	2.5GHz	2.4GHz
	Core/Thread	4 / 4	4 / 4	2 / 2	4 / 4	2 / 2
	LLC	2MB	2MB	2MB	2MB	2MB
	CPU TDP	12W	9.5W	6.5W	6W	6W
	Chipset	Integrated in CPU				
Memory	BIOS	AMI UEFI BIOS @ 64Mb				
	Technology	One channel, DDR3L up to 1866(non-ECC), up to 1600(ECC)				
	ECC Support	Yes (E3900 SKU only)				
	Max. Capacity	8GB				
Graphics	Socket	Memory down				
	Controller	Intel® HD Graphics 505	Intel® HD Graphics 500	Intel® HD Graphics 500	Intel® HD Graphics 505	Intel® HD Graphics 500
	Graphics Burst Frequency	650MHz	600MHz	550MHz	750MHz	650MHz
	Graphic Memory	Intel DMV15.0				
	3D/HW Acceleration	DX (9.3, 10, 11.3, 12), OpenGL 4.3, OGL ES 3.0, OpenCL 2.0 HEVC (H.265) @L5, H.264 @ 5.2, MVC, MPEG2, VP8, VP9, VC-1, WMV9, JPEG/MJPEG HW Decode, HEVC (H.265) @L4, H.264 @ 5.2, MVC, VP8, VP9, JPEG/MJPEG HW Encode				
Display	LCD (LVDS/eDP)	LVDS: Single-channel 18/24-bit, up to 1366 x 768 eDP: Up to 4096 x 2160 @ 60 Hz				
	DDO (HDMI/DisplayPort)	HDMI 1.4b: Upto 3840 x 2160 @ 30 Hz DP 1.2: Upto 4096 x 2160 @ 60 Hz				
	Dual Display	LVDS, HDMI/DisplayPort eDP, HDMI/DisplayPort (optional)				
Expansion	PCI Express x1	4 PCIe1x1, 1 PCIe4x4 (optional)				
	Audio Interface	HD Audio				
	LPC	Yes				
Serial Bus	SMBus	Yes				
	I2C Bus	Yes				
Ethernet	Controller	Intel® i210IT/i210AT				
	Speed	10/100/1000 Mbps				
I/O & Features	SATA	2 Ports, Support Gen 1(1.5 Gb/s) or Gen2 (3 Gb/s) and Gen3.1 (6Gb/s)				
	Onboard Storage	32GB eMMC 5.0 interface				
	USB3.0	2 Ports				
	USB2.0	8 Ports				
	Audio	Intel® HD Audio				
	GPIO	8-bit GPIO				
	SDIO	Optional				
	Watchdog	65536 level, 0 – 65535 sec				
	COM Port	2 Ports (2-Wire)				
	CAN Bus	1 CAN Bus (option)				
	Express Card	Yes				
Power	TPM	TPM2.0				
	Smart Fan	2 Ports; 1 Port on COM Module, Support 12V Fan, 1 Port on Carrier Board				
	Type	ATX, AT				
	Supply Voltage	ATX (Vin 4.75-20V, Vsb 4.75-5.25V) AT (Vin 4.75-20V)				
Environment	Power Consumption (Max.)	Burn in: (E3950)14.73W; (N4200)12.89W				
	Power Consumption (Idle)	Idle: (E3950)4.68W; (N4200)2.56W				
	Temperature	Operating: 0 – 60 °C (32 – 140 °F), Storage: -40 – 85 °C (-40 – 185 °F) Extend: -40 – 85 °C (-40 – 185 °F) (E3900 SKU only)				
Mechanical	Humidity	Operating: 40 °C @ 95% relative humidity, non-condensing Storage: 60 °C @ 95% relative humidity, non-condensing				
	Vibration Resistance	3.5 Grms				
	Dimensions	84 x 55 mm (3.3" x 2.17")				

## Block Diagram



## Ordering Information

Part No.	CPU	Core	Base Freq.	CPU TDP	LLC	Onboard DDR3L	ECC support	Onboard eMMC	Power	Thermal solution	Operating Temp.
SOM-7569CCBCC-S6B2	X7-E3950	4	1.6GHz	12W	2MB	8GB i-grade	ECC	32GB	AT/ATX	Passive	0 ~ 60 °C
SOM-7569BCBCC-S6B2	X7-E3950	4	1.6GHz	12W	2MB	4GB	ECC	32GB	AT/ATX	Passive	0 ~ 60 °C
SOM-7569BCOCC-S3B2	X5-E3930	2	1.3GHz	6.5W	2MB	4GB	ECC	N/A	AT/ATX	Passive	0 ~ 60 °C
SOM-7569CCBXC-S6B2	X7-E3950	4	1.6GHz	12W	2MB	8GB i-grade	ECC	32GB	AT/ATX	Passive	-40 ~ 85 °C
SOM-7569BCBXC-S5B2	X5-E3940	4	1.6GHz	9.5W	2MB	4GB	ECC	32GB	AT/ATX	Passive	-40 ~ 85 °C
SOM-7569BCOXC-S3B2	X5-E3930	2	1.3GHz	6.5W	2MB	4GB	ECC	N/A	AT/ATX	Passive	-40 ~ 85 °C
SOM-7569BNBCC-S2B2	N4200E	4	1.1GHz	6W	2MB	4GB	non ECC	32GB	AT/ATX	Passive	0 ~ 60 °C
SOM-7569BNOCC-S1B2	N3350E	2	1.1GHz	6W	2MB	4GB	non ECC	N/A	AT/ATX	Passive	0 ~ 60 °C

Note: Any other sku or combination is project based support. Please contact sales for details.

## Packing List

Part No.	Description	Quantity
-	SOM-7569 COM module	1
1960079610T000	Heat spreader (when use Atom E3900 SKU)	1
1960079608T010	Heat spreader (when use Pentium & Celeron N SKU)	1

## Optional Accessories

Part No.	Description
1960056280N001	Semi-Heatsink 84L x 55W x 13.2H mm
1960050950N001	Semi-Heatsink 84L x 55W x 34H mm

## Development Board

Part No.	Description
SOM-DB5800-U0A2E	Development Board for COM Express® R2.1 Type 10 Modules

## Embedded OS

OS	Part Number	Description
Win10	20706WX9HS0091	img W10 19HL SOM-7569 64b 1809 ENU
Win10	20706WX9VS0095	img W10 19VL SOM-7569 64b 1809 ENU
Win10	20706WX9ES0105	img W10 19EL SOM-7569 64b 1809 ENU

Our company network supports you worldwide with offices in Germany, Austria, Switzerland, the UK and the USA. For more information please contact:

## Headquarters

### Germany



#### FORTEC Elektronik AG

Augsburger Str. 2b  
82110 Germering

Phone: +49 89 894450-0  
E-Mail: [info@fortecaq.de](mailto:info@fortecaq.de)  
Internet: [www.fortecaq.de](http://www.fortecaq.de)

## Fortec Group Members

### Austria



#### Distec GmbH Office Vienna

Nuschinggasse 12  
1230 Wien

Phone: +43 1 8673492-0  
E-Mail: [info@distec.de](mailto:info@distec.de)  
Internet: [www.distec.de](http://www.distec.de)

### Germany



#### Distec GmbH

Augsburger Str. 2b  
82110 Germering

Phone: +49 89 894363-0  
E-Mail: [info@distec.de](mailto:info@distec.de)  
Internet: [www.distec.de](http://www.distec.de)

### Switzerland



#### ALTRAC AG

Bahnhofstraße 3  
5436 Würenlos

Phone: +41 44 7446111  
E-Mail: [info@altrac.ch](mailto:info@altrac.ch)  
Internet: [www.altrac.ch](http://www.altrac.ch)

### United Kingdom



#### Display Technology Ltd.

Osprey House, 1 Osprey Court  
Hichingbrooke Business Park  
Huntingdon, Cambridgeshire, PE29 6FN

Phone: +44 1480 411600  
E-Mail: [info@displaytechnology.co.uk](mailto:info@displaytechnology.co.uk)  
Internet: [www.displaytechnology.co.uk](http://www.displaytechnology.co.uk)

### USA



#### Apollo Display Technologies, Corp.

87 Raynor Avenue,  
Unit 1 Ronkonkoma,  
NY 11779

Phone: +1 631 5804360  
E-Mail: [info@apolloDisplays.com](mailto:info@apolloDisplays.com)  
Internet: [www.apolloDisplays.com](http://www.apolloDisplays.com)